

TECHNICAL DATA SHEET -

MODELS: IM760PU, IM760PU-S

peerless[®]

In-wall Mount for 32" to 60" Flat
Panel Screens

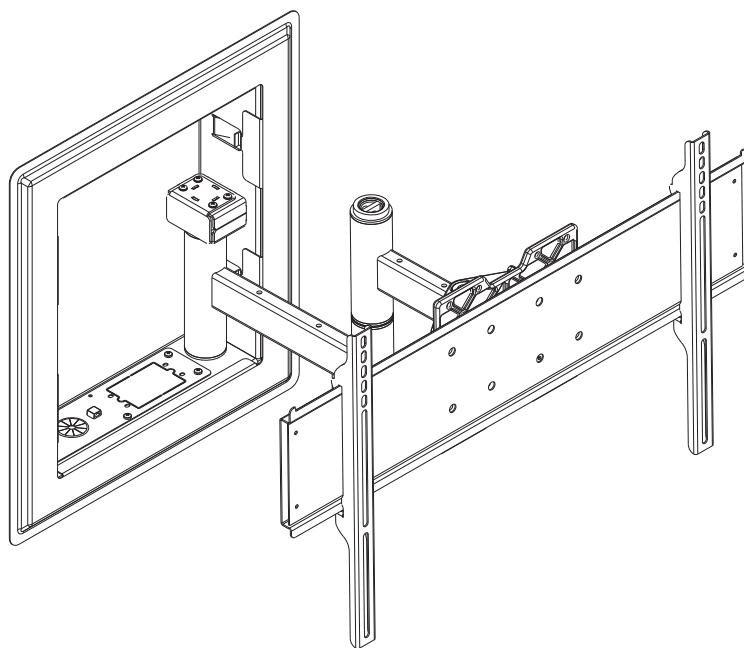


Maximize your flat panel experience by installing it truly flat against the wall with the industry's first in-wall mounting solution for up to 60" screens.

Installation is quick and easy thanks to the mount's self-locating tabs that center the in-wall box snugly between standard 16" wood stud centers. View the flat panel screen in its no-profile home position, or extend the arm over 19" to watch it virtually anywhere else within the room. This mount holds screens so flat against the wall, it may even allow installations to meet ADA requirements.

Features:

- Includes universal adapter plate to fit TVs with mounting hole patterns up to 29.4"W x 17"H
- Can be inverted to position screen to the right or left
- Decorative trim ring included for a clean look
- Installs between 16" centers
- Stud-locating tabs adjust 1/4" left or right to accommodate stud spacing
- Removable gang box and cable management access plates make installation easy



IM760PU, IM760PU-S

Dimensions:

Weight:

45.4 lb (20.6 kg)

Shipping weight:

58.49 lb (26.53 kg)

Maximum Load Capacity:

200 lb (91 kg)

Shipping Carton dimensions:

L = 32 in (813 mm)

W = 27.1875 in (691 mm)

H = 8.625 in (219 mm)

ARCHITECTS SPECIFICATIONS

The In-wall mount shall be Peerless models _____ and shall be located where indicated on the plans. It shall feature adjustable 15° of forward tilt and 5° backward tilt. It shall be constructed of heavy gauge cold rolled steel and finished with scratch resistant Black or Silver Fused Epoxy. Assembly and installation shall be done according to instructions provided by the manufacturer.

Peerless Industries, Inc.

3215 W. North Ave. Melrose Park, IL 60160
708-865-8870 800-865-2112 Fax 708-865-2941

www.peerlessmounts.com

ISSUED: 01-16-08 SHEET NO: 095-9707-1

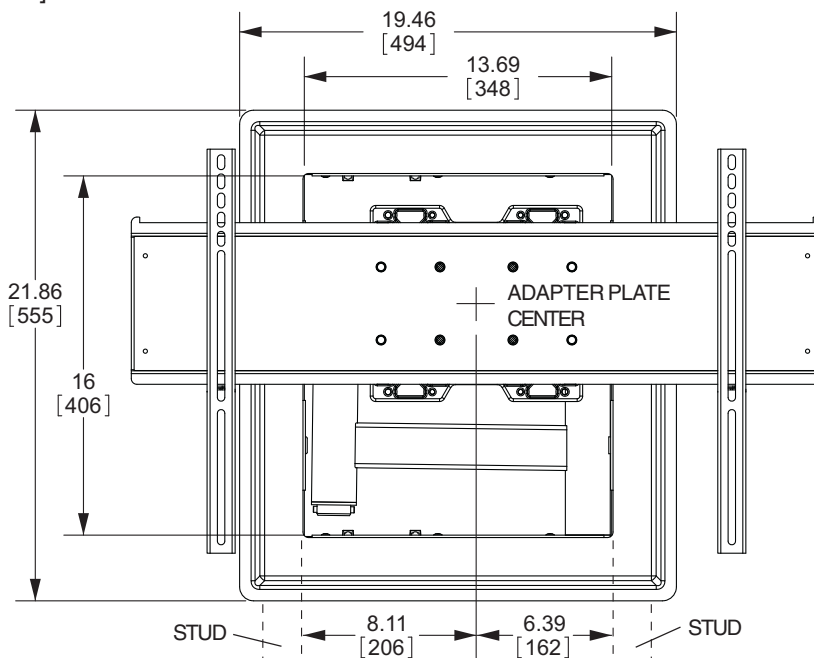
©2007, Peerless Industries, Inc. All rights reserved.

All other brand and product names are trademarks or registered trademarks of their respective owners

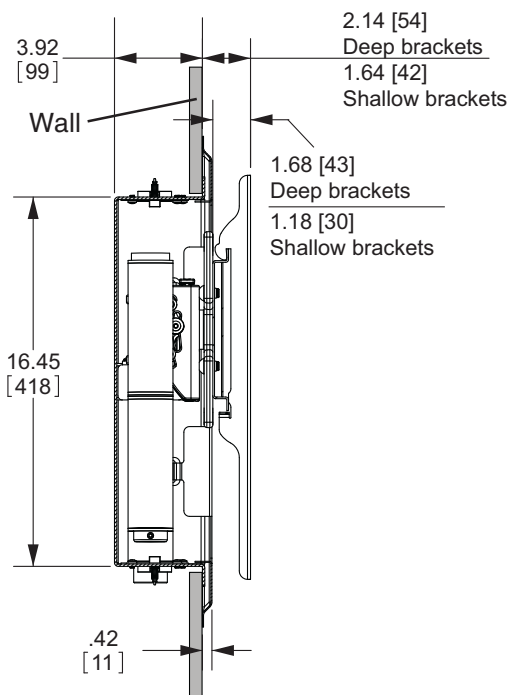
TECHNICAL DATA SHEET -

MODELS: IM760PU, IM760PU-S

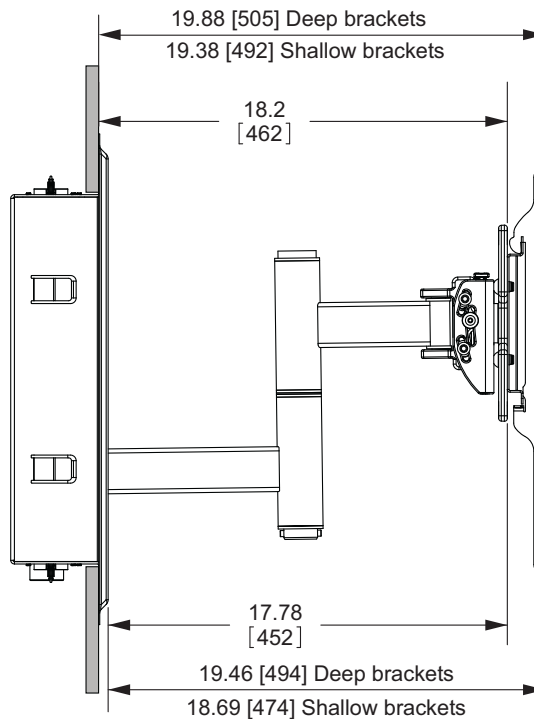
All dimensions = inch [mm]



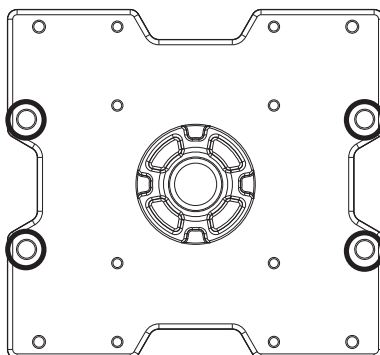
Collapsed Front View



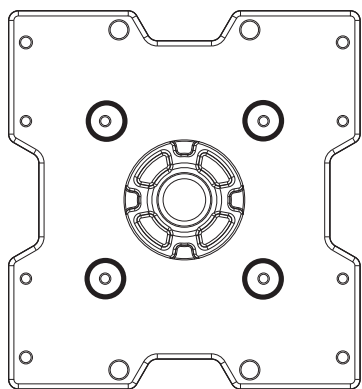
Collapsed Cutaway Side View



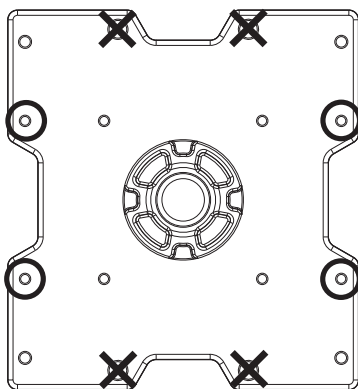
Extended Side View



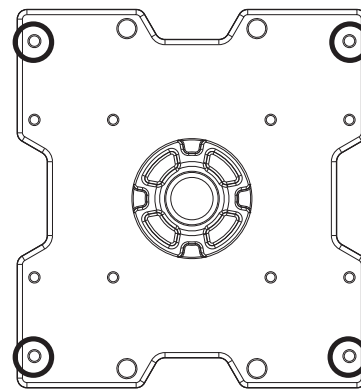
HOLE PATTERN FOR USE WITH UNIVERSAL ADAPTER BRACKET OR DEDICATED ADAPTER PLATE



VESA® 100 x 100



VESA® 200 x 100



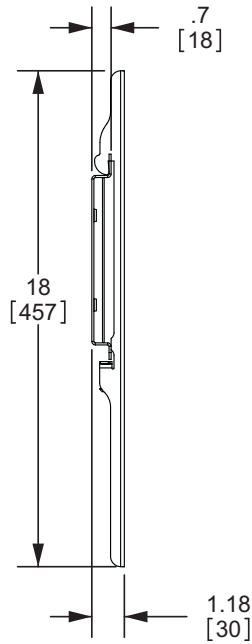
VESA® 200 x 200

Front View Adapter Plate Details

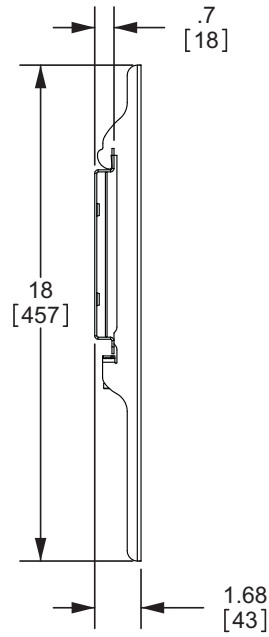
TECHNICAL DATA SHEET -

MODELS: IM760PU, IM760PU-S

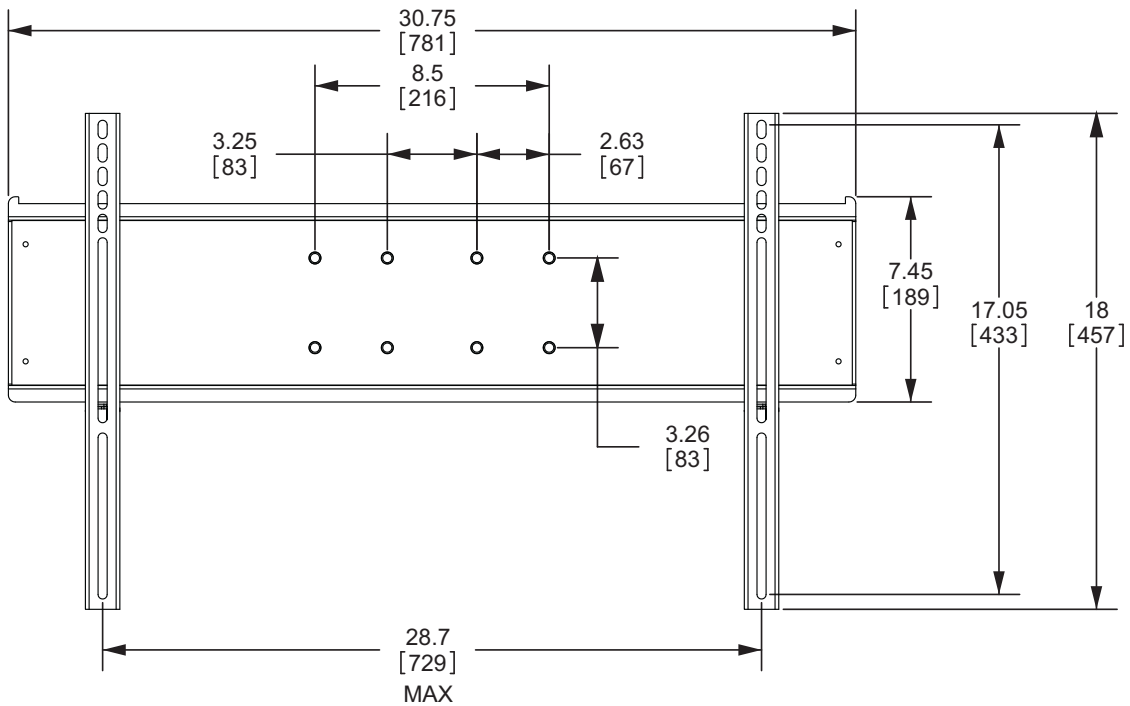
All dimensions = inch [mm]



**SIDE VIEW
WITH SHALLOW
BRACKET**



**SIDE VIEW
WITH DEEP
BRACKET**



ADAPTER BRACKET DETAIL