

TECHNICAL DATA SHEET - Vision•Point™ LCD Screen Pedestal Stand

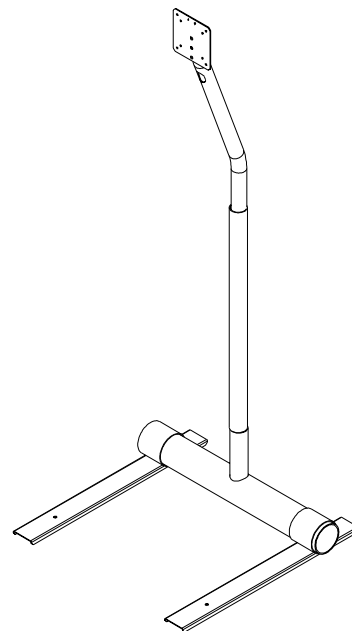


MODEL: LCFS-100, LCFS-100S

The LCD Screen Pedestal Stand is perfect to display an LCD screen where a floor stand application is needed. Perfect for fitness applications, studio settings, or other public display environment, the LCD Screen Pedestal Stand supports screens with VESA® 75/100 hole patterns, and comes in silver or black, features height adjustment, swivel, and internal cord management.

Features:

- Color: silver or black
- Height adjustment 60 ³/₄" to 80" (154.3 cm to 203.2 cm)
- Up to 90° of swivel on each side at the head
- Internal cord management through main tube
- The feet can be moved inwards along the tubular base to accommodate various applications
- Can be free standing (up to 25 lb with feet in complete outward position) or bolted down to a wood surface or concrete (up to 40 lb and/or with feet moved inwards)
- Comes with hardware to affix to wood or concrete floor
- Comes with adapter plate to support screens with VESA® 75/100 hole pattern
- Sturdy all steel construction



Dimensions:

Weight:
24.4 lb (11.1 kg)

Shipping weight:
26 lb (11.8 kg)

Maximum Load Capacity:
- Freestanding: 25lb (11.3 kg) and only with feet in outward position

- Bolted to floor: 40 lb (18.1 kg)

Shipping Carton dimensions:

L = 51 in (1295 mm)

W = 12 in (305 mm)

H = 6 in (152 mm)

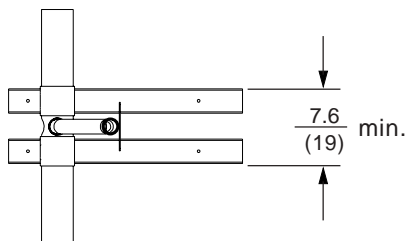
ARCHITECTS SPECIFICATIONS

The LCD Screen Pedestal Stand shall be a Peerless model **LCFS 100** or **LCFS 100S** and shall be located where indicated on the plans. Assembly and installation shall be done according to instructions provided by the manufacturer.

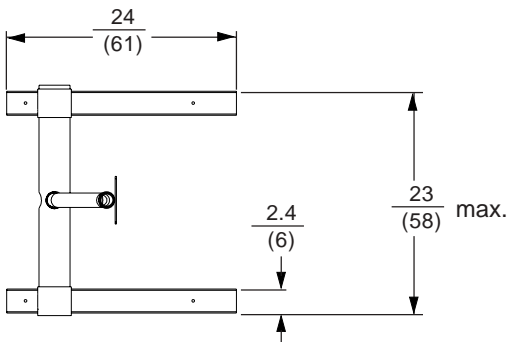
TECHNICAL DATA SHEET

MODEL: LCFS 100, LCFS 100S

ALL DIMENSIONS: inch (cm)

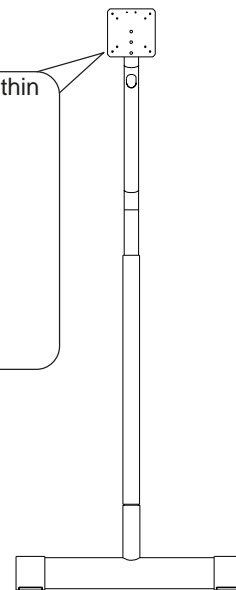
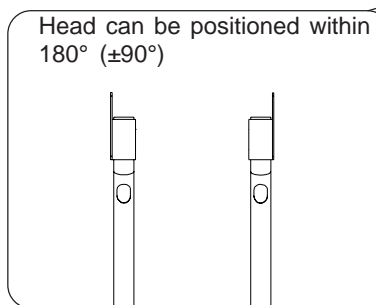


INWARD MOST POSITION

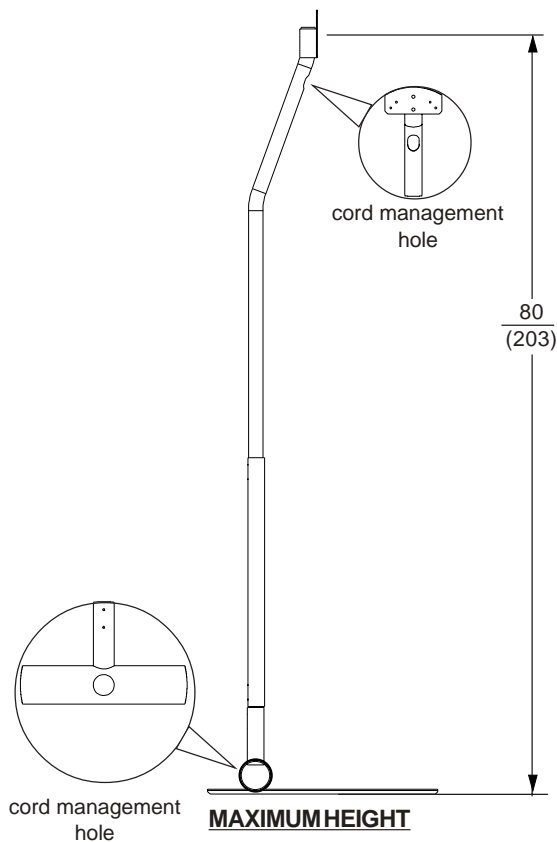


OUTWARD MOST POSITION

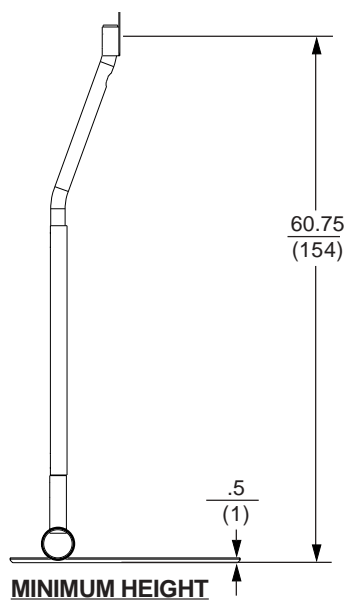
TOP VIEW



FRONT VIEW



Note: The measurements indicated are from the floor to the center of the adapter plate.



SIDE VIEW