

# TECHNICAL DATA SHEET - LCT Series Desktop Articulating Arm



MODEL: LCT 101



The **LCT 101** is designed to secure a VESA 75 or VESA 100 LCD computer monitor to a desktop or similar mounting surface.

**Features:**

- Multi-directional adjustment for optimal viewing
- Durable Gas-Strut and Ball-joint system for smooth, stable operation
- Conforms with VESA 75 / 100 mounting pattern
- Supports LCD panels up to 25 lbs (11.3 kg)
- Mounting options for all surfaces (desk clamp, desk bolt)
- Strong die cast aluminum alloy construction
- Compact retractable design increases work space
- Advanced cable management design
- Desk clamp and desk bolt included

**Dimensions:**

**Weight:**

10 lb (4.5 kg)

**Shipping weight:**

12 lb (5.4 kg)

**Maximum Load Capacity:**

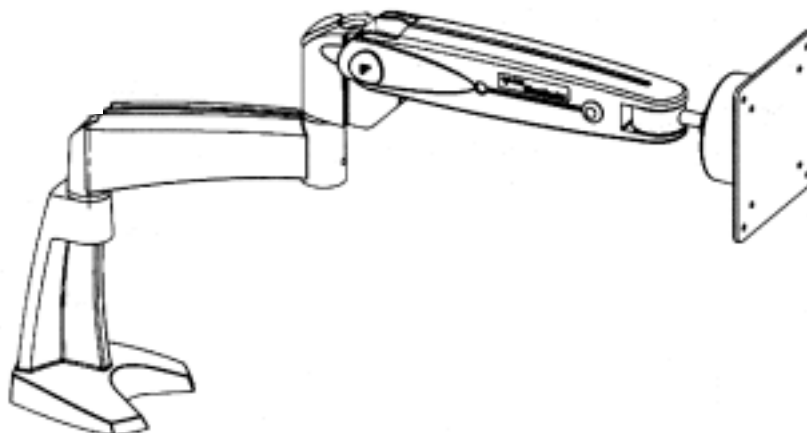
25.00 lb (11.3 kg)

**Shipping Carton dimensions:**

**L** = 12.75 in (324 mm)

**W** = 18.63 in (473 mm)

**H** = 6.13 in (156 mm)



## ARCHITECTS SPECIFICATIONS

The desktop mount shall be a Peerless model **LCT 101**. It shall include all mounting hardware for attachment to a desk clamp or desk bolt. It shall be constructed of die cast aluminum alloy. Assembly and installation shall be done according to instructions provided by the manufacturer.

**Peerless Industries, Inc.**

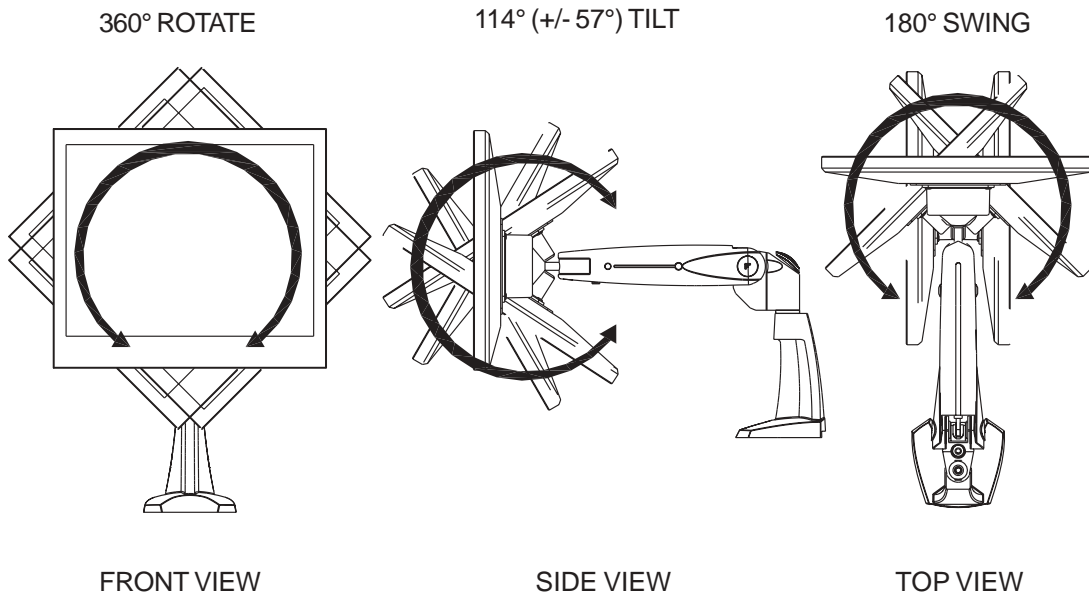
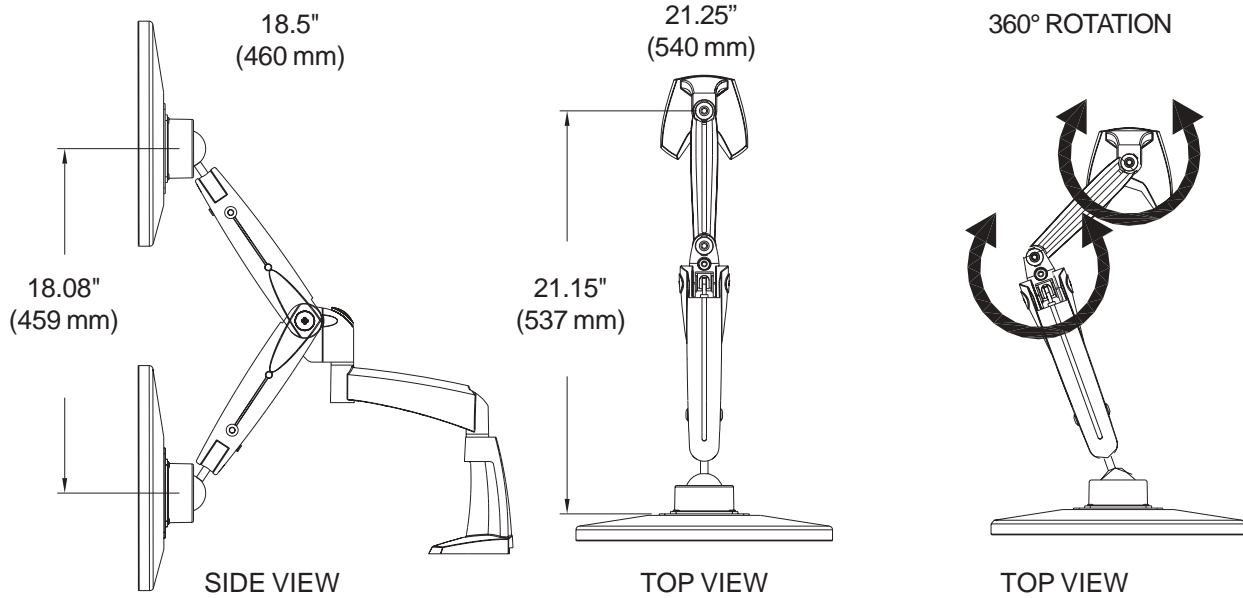
3215 W. North Ave. Melrose Park, IL 60160  
708-865-8870 800-865-2112 Fax 708-865-2941

[www.peerlessmounts.com](http://www.peerlessmounts.com)

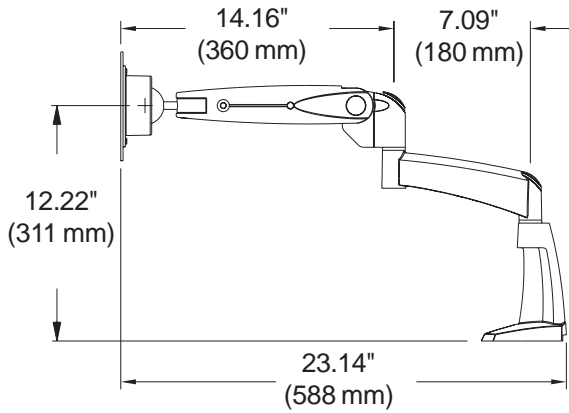
**ISSUED: 05-10-05 SHEET NO: 090-9570-1**

©2005 Peerless Industries, Inc. All rights reserved.  
Peerless is a registered trademark of Peerless Industries, Inc.  
All other brand and product names are trademarks or registered trademarks of their respective owners.

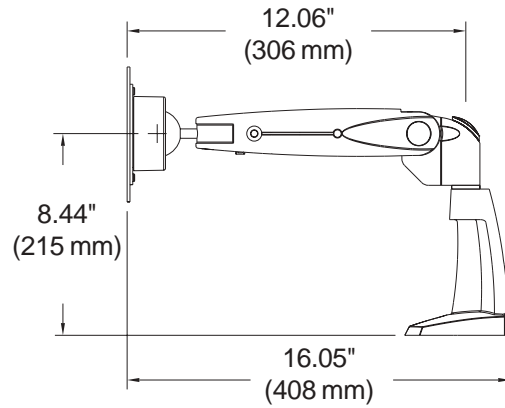
# RANGE OF MOTION



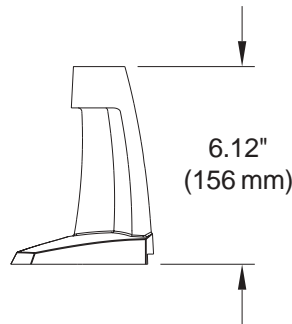
# DIMENSIONS



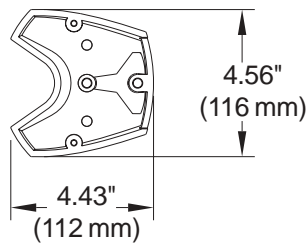
SIDE VIEW



SIDE VIEW



SIDE VIEW



BOTTOM VIEW