

TECHNICAL DATA SHEET - Vision•Point™ Vertical Desktop Mount with Stationary Base

peerless
Solid Solutions - Solid Support

MODEL: LCV 100

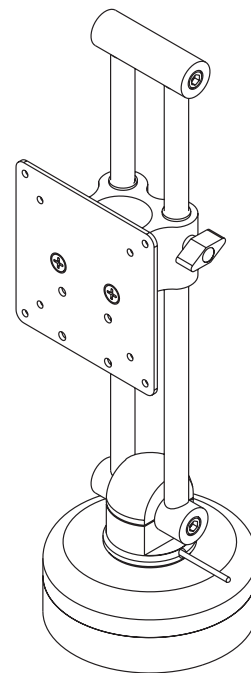
Peerless' Vision Point™ Vertical Desktop mount model LCV 100 comes with a 1" stationary base and offers a dramatic design with a clean aluminum upright, and a light gray coated base and slider. The superior functionality of this mount delivers 60° of adjustable tilt, full side-to-side rotation, and height adjustment.

Features:

- For LCD TVs and monitors up to 25 lbs (10" to 20" range)
- Clean looks – arm is anodized in clear aluminum, and base and slider are finished with a light gray coating
- Full 360 degree rotation
- Screen can travel on a slider a total of 9.5" up and down the arm; locks in place with a knob.
- Arm tilts 30° backward and forward
- Comes with both VESA 75 and VESA 100 mounting plates (non-vesa adapter plates sold separately)
- Bolts down to wood and/or wood composite surfaces between 3/4" to 1.5" thick

Accessories:

- Other screen adapter plates available for screens not featuring a VESA standard hole pattern



Dimensions:

Weight:
3.95 lb (1.8 kg)

Shipping weight:
4.5 lb (2.1 kg)

Load Capacity:
25 lb (11.4 kg)

Shipping Carton dimensions:
L= 16.9 in (429 mm)
W= 5.6 in (141 mm)
H= 3.9 in (100 mm)

ARCHITECTS SPECIFICATIONS

The Vertical Desktop Mount shall be Peerless model LCV 100 and shall be located where indicated on the plans. It shall be constructed of cast, machined and extruded aluminum, sheet metal, and plastic parts. It shall feature 360° rotation, 30° forward/30° backward tilt and vertical height adjustment. Assembly and installation shall be done according to instructions provided by the manufacturer.

Peerless Industries, Inc.

3215 W. North Ave. Melrose Park, IL 60160
708-865-8870 800-865-2112 Fax 708-865-2941

www.peerlessmounts.com

ISSUED: 11-06-02 SHEET NO: 090-9551-4 08-03-05

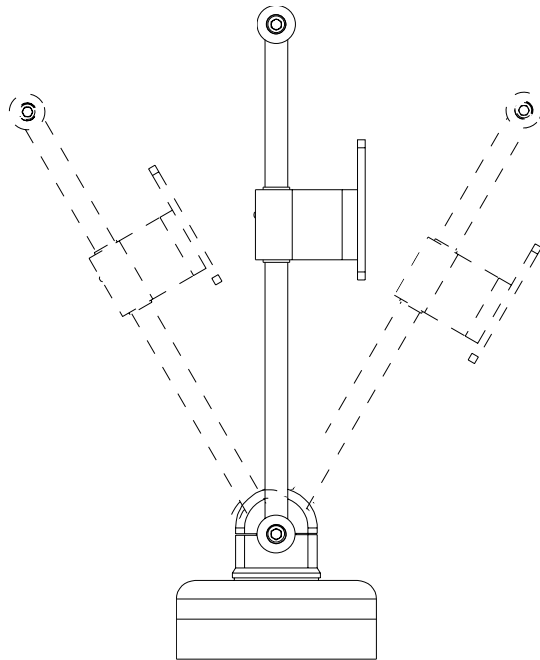
©2005 Peerless Industries, Inc. All rights reserved.

Vision•Point is a trademark and Peerless is a registered trademark of Peerless Industries, Inc.

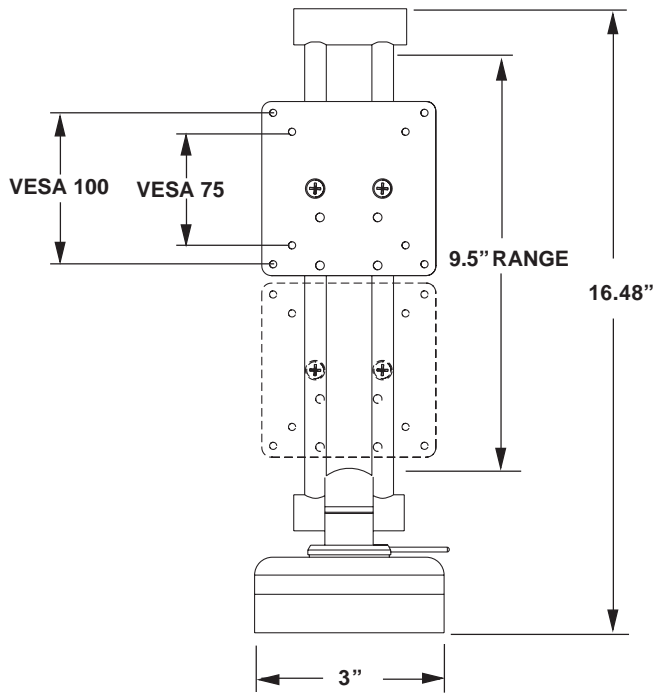
TECHNICAL DATA SHEET

MODEL: LCV 100

60° (±30°) TILT

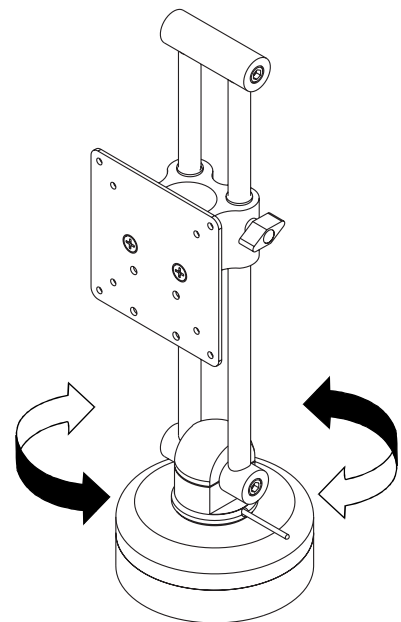


SIDE VIEW



FRONT VIEW

360° HORIZONTAL ROTATION AT BASE



ISOMETRIC VIEW