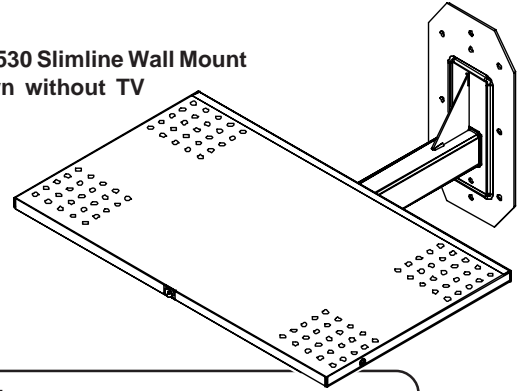


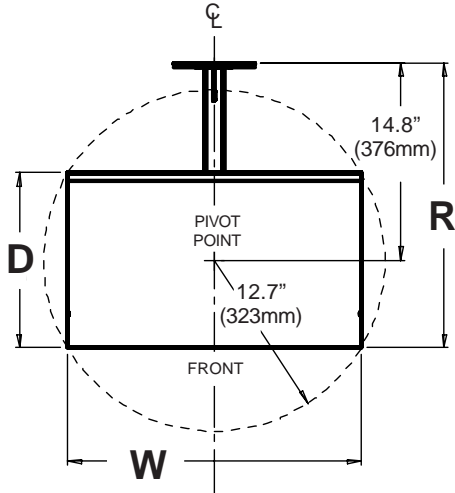
Slimline Wall Mount models **LWB530**, and **LWB530T** are compatible with most 19" and 20" TVs and monitors.
 Model LWB530 have a 0° tilt support tray.
 Model LWB530T has a fixed 10° tilt support tray.

LWB530 Slimline Wall Mount shown without TV

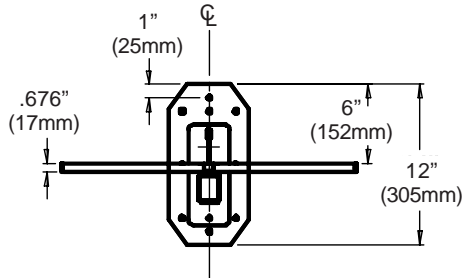


Features:

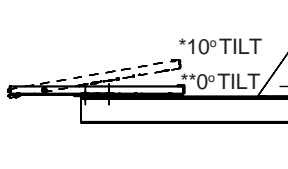
- Two-piece support tray with keylock
- 360° Swivel Action
- Black fused epoxy finish
- Concrete anchors available (order accessory kit #ACC204)



TOP VIEW

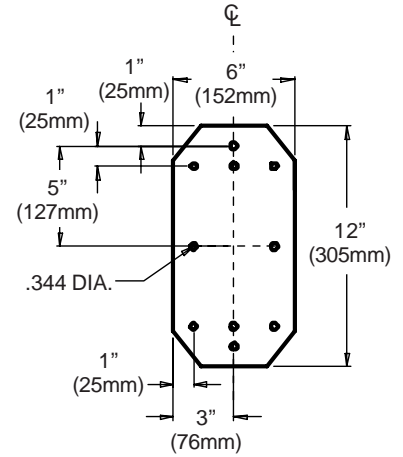


FRONT VIEW



SIDE VIEW

*Model LWB530T
 **Model LWB530



WALL PLATE DETAIL (1.5X Scale)



Product is UL rated up to 20" TV, 125 lbs.

MODEL NUMBER	W	D	R	WEIGHT	SHIPPING WEIGHT
LWB530, & LWB530T	22" (559mm)	13" (330mm)	20.5" (521mm)	21 lbs (9.5 kg)	22 lbs (10 kg)
				20 lbs (9.1 kg)	21 lbs (9.5 kg)

ARCHITECTS SPECIFICATIONS

The Slimline Wall Mount shall be a Peerless model _____ and shall be located where indicated on the plans. It shall be constructed of heavy gauge cold rolled steel with a flat or 10° fixed tilt and shall have a tray which swivels 360°. It shall include a key lock for security. The finish shall be scratch resistant Black Fused Epoxy. Assembly and installation shall be done according to instructions provided by the manufacturer.



Solid Solutions - Solid Support™

Peerless Industries, Inc. 3215 W. North Ave. Melrose Park, IL 60160
 708-865-8870 800-865-2112 Fax 708-865-2941
 www.peerlessmounts.com

TECHNICAL DATA SHEET

**Slimline Wall Mount
 for 19"- 20" TV's**

Issued: 07-27-99 Sheet No. 029-9502-6 07-27-06