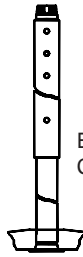


*Total weight of components and hardware



DCS 200
Structural Ceiling Plate with Decoupler for Peerless Jumbo™ TV Mounts.

Unit has 1 1/2-11.5 NPT fitting for attachment of fixed or adjustable length extension column. Ceiling Plate attaches to concrete beam, slab, or other structural member.



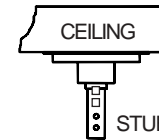
EXTENSION COLUMN

HORIZONTAL CROSS SUPPORT
 (top of Jumbo Mount TV bracket)

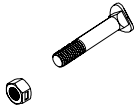
***COMBINED BALANCED LOAD CAPACITY: 300 LBS.**

DCS 400
Structural Ceiling Plate with Decoupler for Peerless Multi-Display™ TV Mounts.

Unit has stub fitting for attachment of adjustable length extension column. Ceiling Plate attaches to concrete beam, slab, or other structural member. Column attaches to stub with 60mm long carriage bolt and center lock nut.



60mm long curved carriage bolt is used as a pin to attach extension column to stub. Center lock nut secures the assembly.

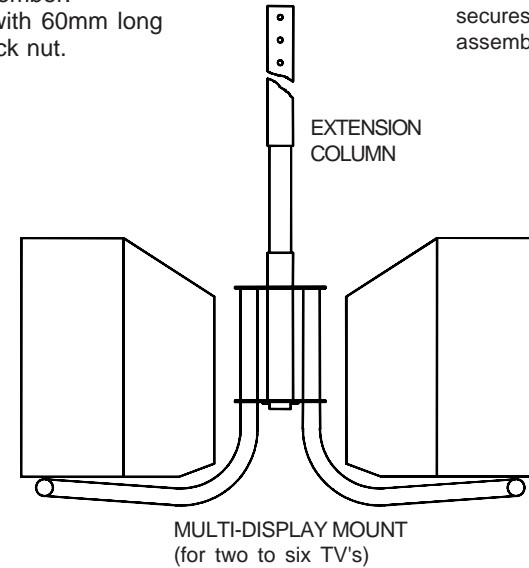
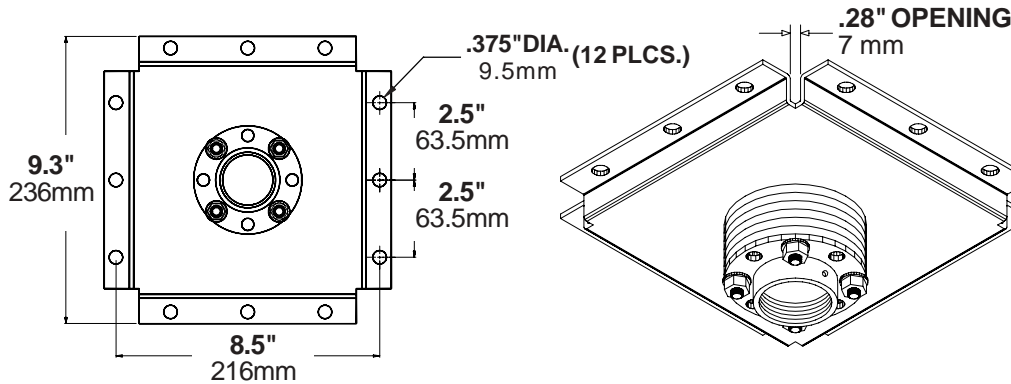


***COMBINED BALANCED LOAD CAPACITY: 1200 LBS.**

DCS 200
 Dimensions shown are common to both DCS 200 and DCS 400

BOTTOM VIEW

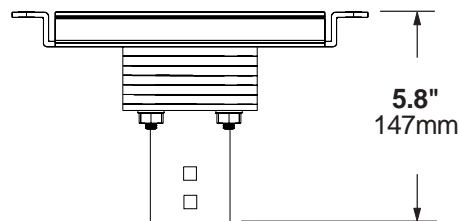
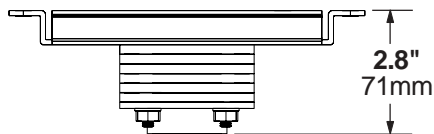
ISOMETRIC VIEW



MULTI-DISPLAY MOUNT
 (for two to six TV's)

SIDE VIEW (DCS 200)

SIDE VIEW (DCS 400)



This product is intended for use with UL Listed products and must be installed by a qualified professional installer.

Protected by U.S. Patent no. 5,127,617. Other U.S. and international patents pending.

Architects Specifications:

The ceiling plate shall be a Peerless model DCS_____ and shall be located where indicated on the plans. It shall consist of a structural ceiling plate with an integral decoupler assembly to relieve stress (caused by side to side or swaying action that may result from minor impacts) from damaging TVs/monitors. The ceiling plate shall be UL Listed. The finish shall be Raven Black Fused Epoxy. Installation shall be made in accordance with the instructions provided by the manufacturer.

TECHNICAL DATA SHEET
Structural Ceiling Plate with Decoupler

Peerless Industries, Inc.

3215 W. North Ave.
 Melrose Park, IL 60160

phone: (708) 865-8870
 fax: (708) 865-2941

Issued: 07-15-94 Sheet #: 142-9501-4 05-20-02

page 1 of 1