

# Flat Panel

## Tilt Wall Mounts

PARAMOUNT™ by Peerless  
**Universal Fixed Tilt Wall Mount**

For 37" to 60" LCD and Plasma Screens



- Single rail design enables quick and simple installation

- Slim design holds screen only 2" from wall

- Safety tab ensures screen is securely attached to wall plate

- Integrated tilt feature with fixed angles of 0°, 2°, 5° and 10° for increased functionality and viewing flexibility

- Horizontal screen adjustment up to 8", for centering screen on wall

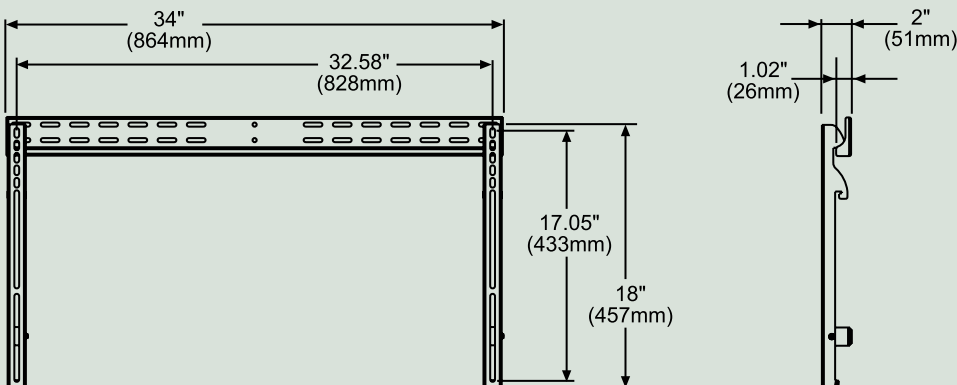
- Largest VESA® pattern accepted: 800 x 400 mm



0° configuration

10° configuration

\* Includes standard hardware (hex or Phillips) for attaching screen to mount



### MODELS

#### UNIVERSAL MODELS:

Standard Fasteners\*

**PFT660**

High Gloss Black

### SCREEN ADAPTER

#### UNIVERSAL MODELS:

Includes universal screen adapter to accommodate mounting holes spaced up to 32.58" horizontally and 17.05" vertically

### SPECIFICATIONS

**DIMENSIONS:** (W x H x D)  
 34" x 18" x 2"  
 (86.4 x 45.7 x 5.1 cm)

**FIXED TILT:** 0°, 2°, 5° and 10°

**MAX LOAD:** 175 lb (79.3 kg)

**SHIP WEIGHT:** 7 lb (3.17 kg)

**MOUNTING SURFACES:** Wood stud, concrete, cinder block and metal stud  
*(Metal stud accessory required)*



### ACCESSORIES

pg#

ACC415: 4-pack Metal Stud Fastener Kit ....142