

Flat Panel

Articulating Wall Mounts

PLA Series

Articulating Wall Arm

For 32" to 50" LCD and Plasma Screens

UNIVERSAL MODELS




- Arm extends up to 29.3" from wall (plus thickness of adapter plate)
- Three pivot points with up to 180° swivel
- +10/-5° of tilt
- ±7° roll to level screen horizontally
- Universal models adapt to screens with mounting holes up to 28.7" W x 17" H

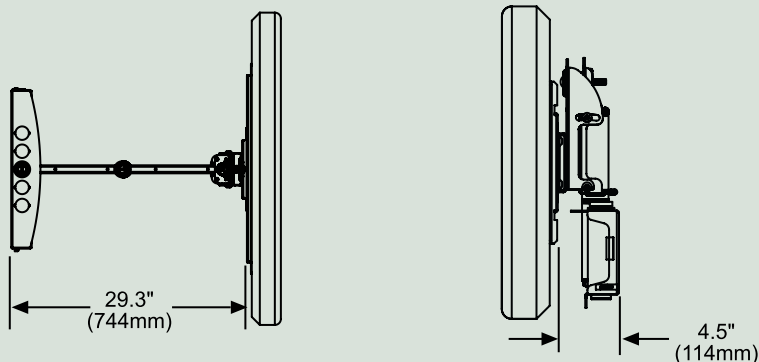
DEDICATED MODELS



- Includes mesh cord sheath and cable ties to neatly manage cables and cords
- Five horizontal arm positions at 2.6" centers for flexible lateral screen placement

- * Includes theft resistant hardware for attaching screen to mount
- ** Includes standard hardware (hex or Phillips) for attaching screen to mount
- *** Dedicated adapter plates come in flat black and include security fasteners

 Requires screen-specific adapter to be purchased separately



MODELS

UNIVERSAL MODELS

Security Fasteners*


| | |
|--------------------|--------|
| PLA50-UNL | Black |
| PLA50-UNL-S | Silver |

Standard Fasteners**

| | |
|----------------------|-------------------|
| PLA50-UNLP | Black |
| PLA50-UNLP-S | Silver |
| PLA50-UNLP-GB | High gloss black |
| PLA50-UNLP-GS | High gloss silver |

DEDICATED MODELS

Screen Adapter Purchased Separately***

| | | |
|----------------|--------|---|
| PLA50 | Black |  |
| PLA50-S | Silver | |

SCREEN ADAPTER

UNIVERSAL MODELS:

Includes universal screen adapter to accommodate mounting holes spaced up to 28.7" horizontally and 17" vertically

DEDICATED MODELS:

Requires screen-specific adapter to be purchased separately

SPECIFICATIONS

DIMENSIONS:

| | |
|-------------------|---|
| (W x H x D) | |
| Universal Models: | 30.7" x 19.1" x 5.6"-30.4" (78 x 48.6 x 14.2-77.2 cm) |
| Dedicated Models: | 19.75" x 18.7" x 4.5"-29.3" (50.1 x 47.4 x 11.4-74.4 cm) |

TILT: +10/-5°

SWIVEL: ±90°

ROLL: ±7°

MAX LOAD: 150 lb (68.2 kg)

SHIP WEIGHT:

| | |
|-------------------|-------------------|
| Universal Models: | 43 lb (19.5 kg) |
| Dedicated Models: | 28.5 lb (12.9 kg) |

MOUNTING SURFACES: Wood stud, concrete and metal stud
(Metal stud accessory required)



ACCESSORIES

pg#

| | |
|--|-----|
| WSP716: Metal Stud Wall Plate | 142 |
| (Triple stud on 16" centers) | |
| WSP724: Metal Stud Wall Plate | 142 |
| (Triple stud on 24" centers) | |