

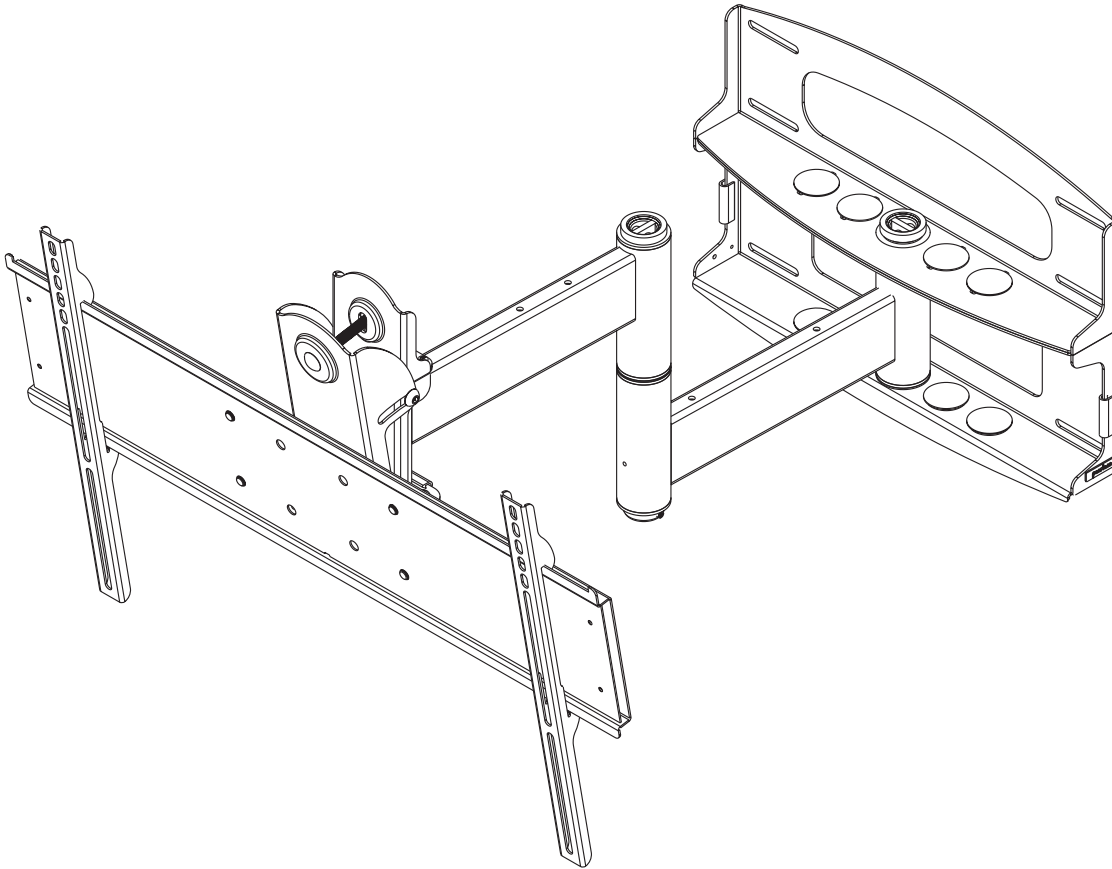
**Installation and Assembly - Universal Articulating  
Swivel Arm for 37" - 60" Plasma Screens**

**Models: PLA 60-UNL, PLA 60-UNL-S,  
PLA 60-UNLP, PLA 60-UNLP-S,  
PLAV 60-UNL, PLAV 60-UNL-S,  
PLAV 60-UNLP, PLAV 60-UNLP-S  
RTPLA 60, RTPLA 60-S, RTPLA UN7,  
RTPLA UN7S, D-FPA-320, D-FPA-320S**



This product is UL Listed. It must be installed by a qualified professional installer.

**Maximum UL Load Capacity: 175 lb (79 kg)**



**Read instruction sheet before you start installation and assembly.**

## **⚠ WARNING**

- Do not begin to install your Peerless product until you have read and understood the instructions and warnings contained in this Installation Sheet. If you have any questions regarding any of the instructions or warnings, please call Peerless customer care at 1-800-729-0307.
- This product should only be installed by a qualified professional.
- Make sure that the supporting surface will safely support the combined load of the equipment and all attached hardware and components.
- Never exceed the Maximum UL Load Capacity of 175 lb (79 kg).
- Do not attach directly to a metal stud wall. Use of a triple stud WSP wall plate is required for attachment to metal studs (contact customer care). Metal stud installation is not UL evaluated.
- If mounting to wood wall studs, make sure that mounting screws are anchored into the center of the studs. Use of an "edge to edge" stud finder is highly recommended.
- Always use an assistant or mechanical lifting equipment to safely lift and position equipment.
- Tighten screws and nuts firmly, but do not overtighten. Overtightening can damage the items, greatly reducing their holding power.

### **IMPORTANT!** Certain types of walls require additional mounting hardware...

| <b>WALL CONSTRUCTION</b> | <b>ADDITIONAL HARDWARE REQUIRED</b>   |
|--------------------------|---------------------------------------|
| Wood Stud, Wood Beam     | none                                  |
| Concrete                 | none                                  |
| Metal stud               | WSP716, WSP716-S, WSP724, or WSP724-S |
| Other or unsure?         | Contact Customer Care                 |

### **IMPORTANT!** Turn to the appropriate page for your wall installation.

#### **Installations:**

- To Wood Stud Walls** ..... **page 6**
- To Concrete Walls** ..... **page 7**

## **Tools Needed for Assembly**

- stud finder ("edge to edge" stud finder is recommended)
- drill
- 7/32" drill bit for wood studs
- 5/16" masonry drill bit for concrete
- 7/16" socket wrench with extension (recommended)
- level
- phillips screwdriver

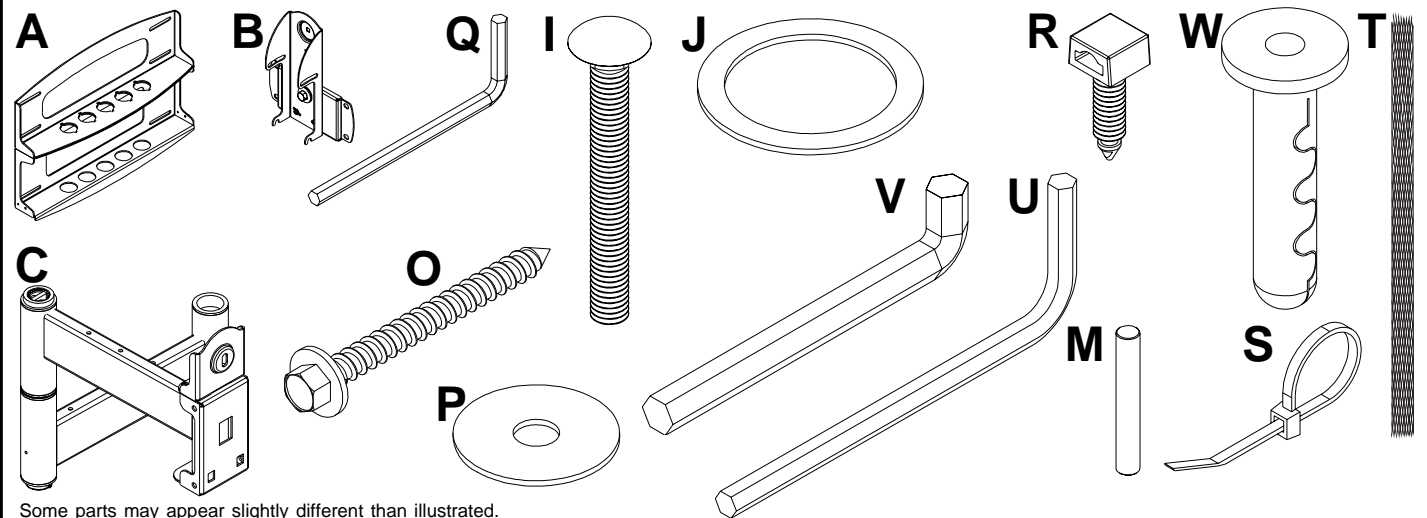
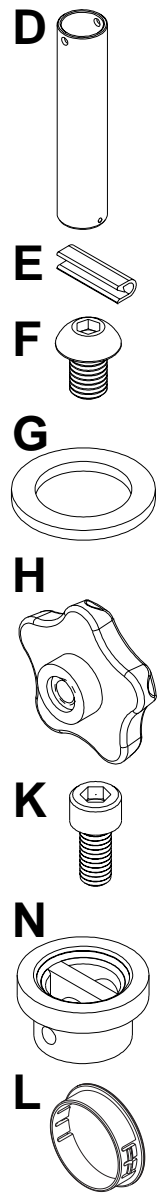
## **Accessories**

- External Wall Plate (WSP716, WSP716-S, WSP724, WSP724-S)  
(Metal Stud not evaluated by UL)

# Wall Mount Parts List

Before you start make sure all parts listed are included with your product.

| DESCRIPTION                              | QTY.   | D-FPA-320 | D-FPA-320S | PLAV 60-UNL | PLAV 60-UNL-S |
|--|--------|-----------|------------|-------------|---------------|
|  |        | RTPLA UN7 | RTPLA UN7S |             |               |
| PART #                                   | PART # | PART #    | PART #     | PART #      | PART #        |
| <b>A</b> wall plate                      | 1      | 201-1040  | 201-4040   | 201-1040    | 201-4040      |
| <b>B</b> tilt-roll assembly              | 1      | 201-1093  | 201-4093   | 201-1048    | 201-4048      |
| <b>C</b> arm assembly                    | 1      | 201-1072  | 201-4072   | 201-1049    | 201-4049      |
| <b>D</b> wall support arm axle           | 1      | 201-1041  | 201-1041   | 201-1041    | 201-1041      |
| <b>E</b> vinyl trim                      | 3      | 600-1012  | 600-1012   | 600-1012    | 600-1012      |
| <b>F</b> M10 x 1.5 x 15 mm screw bolt    | 8      | 520-9262  | 520-9262   | 520-9262    | 520-9262      |
| <b>G</b> .505 x .75 x .062" nylon washer | 1      | 540-1074  | 540-1074   | 540-1074    | 540-1074      |
| <b>H</b> tilt adjustment knob            | 1      | 560-0108  | 560-0108   | 560-0108    | 560-0108      |
| <b>I</b> carriage bolt 3/8"-16 x 3.25"   | 1      | 520-1315  | 520-1315   | 520-1315    | 520-1315      |
| <b>J</b> 1.525 x 2 x .062" delrin washer | 2      | 540-1070  | 540-1070   | 540-1070    | 540-1070      |
| <b>K</b> #8-32 x .375" socket cap screw  | 1      | 520-1210  | 520-1210   | 520-1210    | 520-1210      |
| <b>L</b> plastic finishing cap           | 8      | 590-1123  | 590-1123   | 590-1123    | 590-1123      |
| <b>M</b> holding pin                     | 1      | 580-1166  | 580-1166   | 580-1166    | 580-1166      |
| <b>N</b> retainer plug                   | 1      | 590-1007  | 590-1007   | 590-1007    | 590-1007      |
| <b>O</b> 5/16 x 3" wood screw            | 8      | 520-1243  | 520-1243   | 520-1243    | 520-1243      |
| <b>P</b> .250 x 1 x .068" washer         | 8      | 540-1063  | 540-1063   | 540-1063    | 540-1063      |
| <b>Q</b> 9/64" allen wrench              | 1      | 560-9728  | 560-9728   | 560-9728    | 560-9728      |
| <b>R</b> cable management clips          | 4      | 590-1166  | 590-1166   | 590-1166    | 590-1166      |
| <b>S</b> cable tie                       | 4      | 590-1168  | 590-1168   | 590-1168    | 590-1168      |
| <b>T</b> 36" polyester mesh sleeve       | 1      | 600-1015  | 600-1015   | 600-1015    | 600-1015      |
| <b>U</b> 6 mm allen wrench               | 1      | 560-9716  | 560-9716   | 560-9716    | 560-9716      |
| <b>V</b> 10 mm allen wrench              | 1      | n/a       | n/a        | 560-9727    | 560-9727      |
| <b>W</b> anchor                          | 8      | 590-1025  | 590-1025   | 590-1025    | 590-1025      |



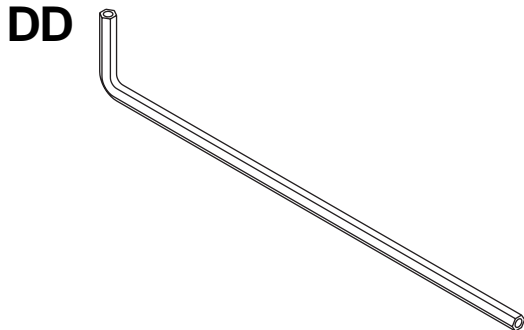
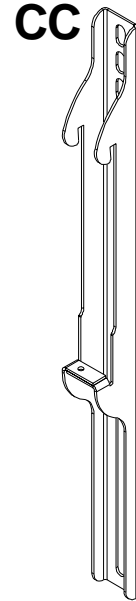
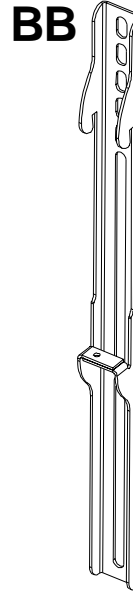
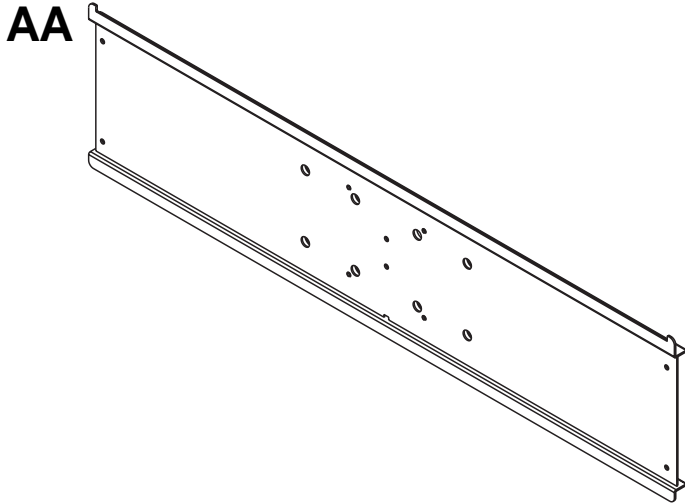
Some parts may appear slightly different than illustrated.

Before you begin, make sure all parts shown are included with your product.

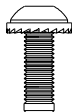
|                     |                       |
|---------------------|-----------------------|
| <b>D-FPA-320</b>    | <b>D-FPA-320S</b>     |
| <b>RTPLA UN7</b>    | <b>RTPLA UN7S</b>     |
| <b>RTPLA 60</b>     | <b>RTPLA 60-S</b>     |
| <b>PLA 60-UNLP</b>  | <b>PLA 60-UNLP-S</b>  |
| <b>PLAV 60-UNLP</b> | <b>PLAV 60-UNLP-S</b> |

## Adapter Bracket Parts List

| Description                       | Qty | PLA 60-UNL  | PLA 60-UNL-S  | D-FPA-320 | D-FPA-320S |
|-----------------------------------|-----|-------------|---------------|-----------|------------|
|                                   |     | PLAV 60-UNL | PLAV 60-UNL-S | RTPLA UN7 | RTPLA UN7S |
|                                   |     | Part #      | Part #        | Part #    | Part #     |
| <b>AA</b> adapter bracket         | 1   | 201-1110    | 201-4110      | 201-1110  | 201-4110   |
| <b>BB</b> shallow adapter bracket | 2   | 200-0756    | 200-0757      | 200-0754  | 200-0755   |
| <b>CC</b> deep adapter bracket    | 2   | 200-0752    | 200-0753      | 200-0750  | 200-0751   |
| <b>DD</b> allen wrench            | 1   | 560-9646    | 560-9646      | 560-0072  | 560-0072   |



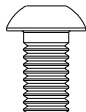
## Security Adapter Bracket Fasteners



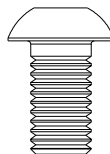
M4 x 12 mm (6)  
510-1079



M5 x 12 mm (4)  
520-1064



M6 x 12 mm (4)  
520-1050



M8 x 15 mm (6)  
520-1068



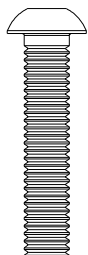
M6 x 20 mm (4)  
520-9554



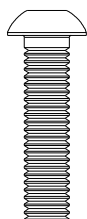
M5 x 25 mm (4)  
520-1122



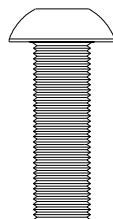
M4 x 25 mm (4)  
510-1082



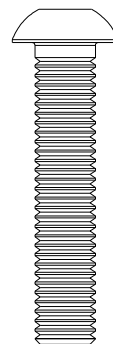
M6 x 30 mm (4)  
520-1067



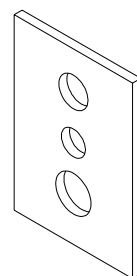
M6 x 25 mm (4)  
520-1211



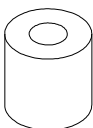
M8 x 25 mm (4)  
520-1101



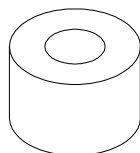
M8 x 40 mm (4)  
520-1152



multi-washer (6)  
580-1036

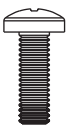


I.D. 5.6 mm (4)  
540-1057

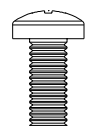


I.D. 8.7 mm (4)  
540-1059

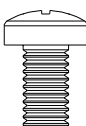
## Phillips Adapter Bracket Fasteners



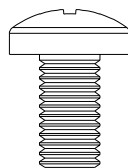
M4 x 12 mm (6)  
504-9013



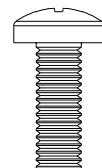
M5 x 12 mm (4)  
520-1027



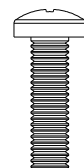
M6 x 12 mm (4)  
520-1128



M8 x 16 mm (6)  
520-9257



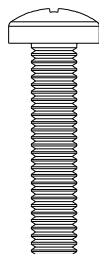
M6 x 20 mm (4)  
520-9402



M5 x 25 mm (4)  
520-9543



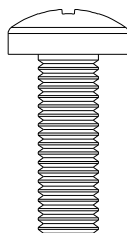
M4 x 25 mm (4)  
504-1015



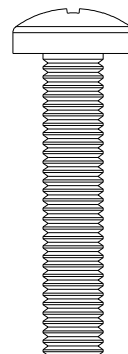
M6 x 30 mm (4)  
510-9109



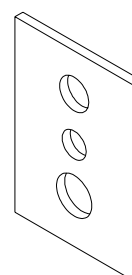
M6 x 25 mm (4)  
520-1208



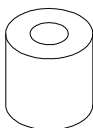
M8 x 25 mm (4)  
520-1031



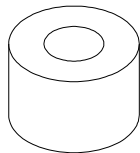
M8 x 40 mm (4)  
520-1136



multi-washer (6)  
580-1036



I.D. 5.6 mm (4)  
540-1057



I.D. 8.7 mm (4)  
540-1059

## Installation to Wood Stud Wall

### ⚠ WARNING

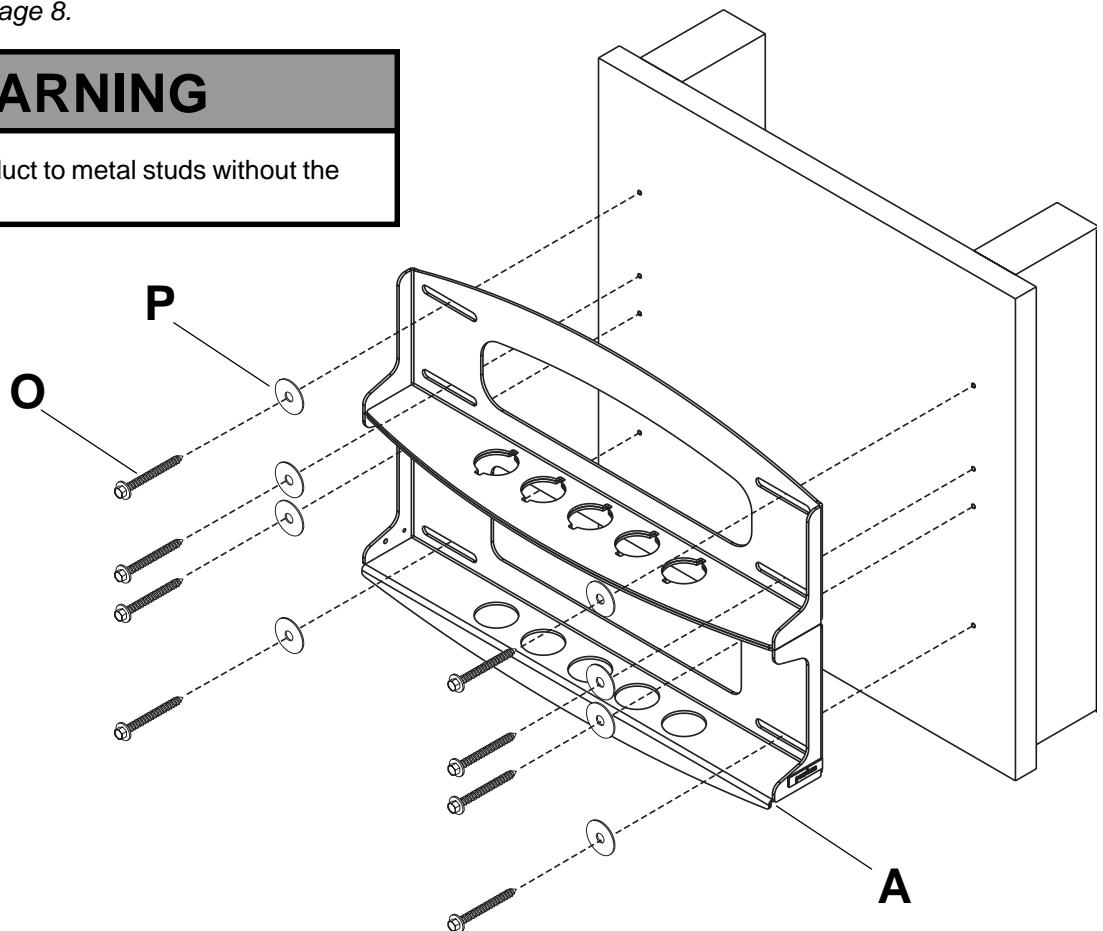
- Installer must verify that the supporting surface will safely support the combined load of the equipment and all attached hardware and components.
- Tighten wood screws so that wall plate is firmly attached, but do not overtighten. Overtightening can damage the screws, greatly reducing their holding power.
- Never tighten in excess of 80 in. • lb (9 N.M.).
- Do not attach directly to a metal stud wall. Use of a triple stud WSP wall plate is required for attachment to metal studs (contact customer care). Metal stud installation is not UL evaluated.
- Make sure that mounting screws are anchored into the center of the stud. The use of an "edge to edge" stud finder is highly recommended.
- Hardware provided is for attachment of mount through standard thickness drywall or plaster into wood studs. Installers are responsible to provide hardware for other types of mounting situations.
- Never exceed the Maximum UL Load Capacity of 175 lb (79 kg).

- 1** Wall plate (**A**) can be mounted to two studs that are 16" apart. Use a stud finder to locate the edges of the studs. Use of an edge-to-edge stud finder is highly recommended. Based on their edges, draw a vertical line down each stud's center. Place wall plate on wall as a template. The top mounting slots should be located .36" above the desired screen center for PLA 60-UNL, PLA 60-UNL-S, PLA 60-UNLP, PLA 60-UNLP-S, RTPLA 60 RTPLA 60-S and .43" below the desired screen center for PLAV 60-UNL, PLAV 60-UNL-S, PLAV 60-UNLP, PLAV 60-UNLP-S, RTPLA UN7, RTPLA UN7S, D-FPA-320, and D-FPA-320S. Level plate, and mark the center of the eight mounting holes. Make sure that the mounting holes are on the stud centerlines. Drill eight 7/32" dia. holes 3" deep. Make sure that the wall plate is level, secure it using eight 5/16 x 3" wood screws (**O**) and washers (**P**).

*Skip to step 2 on page 8.*

### ⚠ WARNING

- Never mount this product to metal studs without the required accessory.



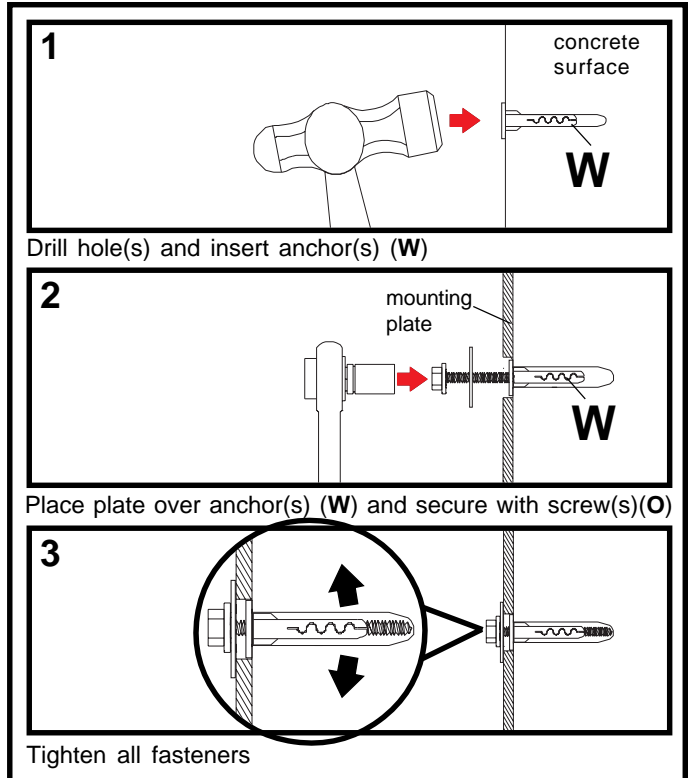
# Installation to Concrete Wall

## ⚠ WARNING

- Concrete must be 2000 psi density minimum. Lighter density concrete may not hold concrete anchor.
- Make sure that the supporting surface will safely support the combined load of the equipment and all attached hardware and components.
- Never exceed the Maximum UL Load Capacity of 175 lb (79 kg).
- Never mount this product to metal studs.

**IMPORTANT! Concrete must be 2000 psi density minimum.**

- 1** Use wall plate (A), making sure that it is level, as a template to mark holes. The top mounting slots should be located .36" above the desired screen center for PLA 60-UNL, PLA 60-UNL-S, PLA 60-UNLP, RTPLA 60, PLA 60-UNLP-S and RTPLA 60-S and .43" below the desired screen center for PLAV 60-UNL, PLAV 60-UNL-S, PLAV 60-UNLP, PLAV 60-UNLP-S, RTPLA UN7, RTPLA UN7S, D-FPA-320 and D-FPA-320S. Use the masonry bit to drill 5/16" (8 mm) dia. holes to a minimum depth of 3" (76 mm). Insert anchors (W) in holes flush with wall as shown (right). Place wall plate (A) over anchors (W) and secure with 5/16 x 3" wood screws (O) and washers (P).



## ⚠ WARNING

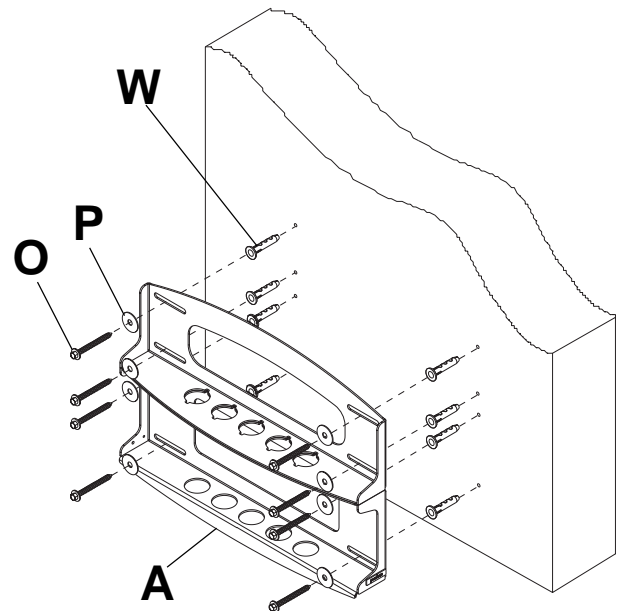
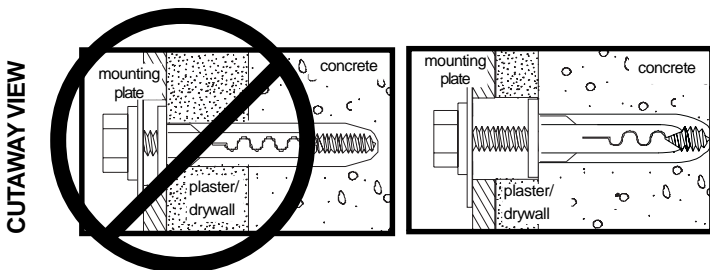
- Tighten wood screws so that wall plate is firmly attached, but do not overtighten. Overtightening can damage screws, greatly reducing their holding power.
- Never tighten in excess of 80 in • lb (9 N.M.).

## ⚠ WARNING

- Always attach concrete expansion anchors directly to load-bearing concrete.
- Never attach concrete expansion anchors to concrete covered with plaster, drywall, or other finishing material. If mounting to concrete surfaces covered with a finishing surface is unavoidable, the finishing surface must be counterbored as shown below. If plaster/drywall is thicker than 5/8", custom fasteners must be supplied by installer (Not evaluated by UL).

INCORRECT

CORRECT



## ⚠ WARNING

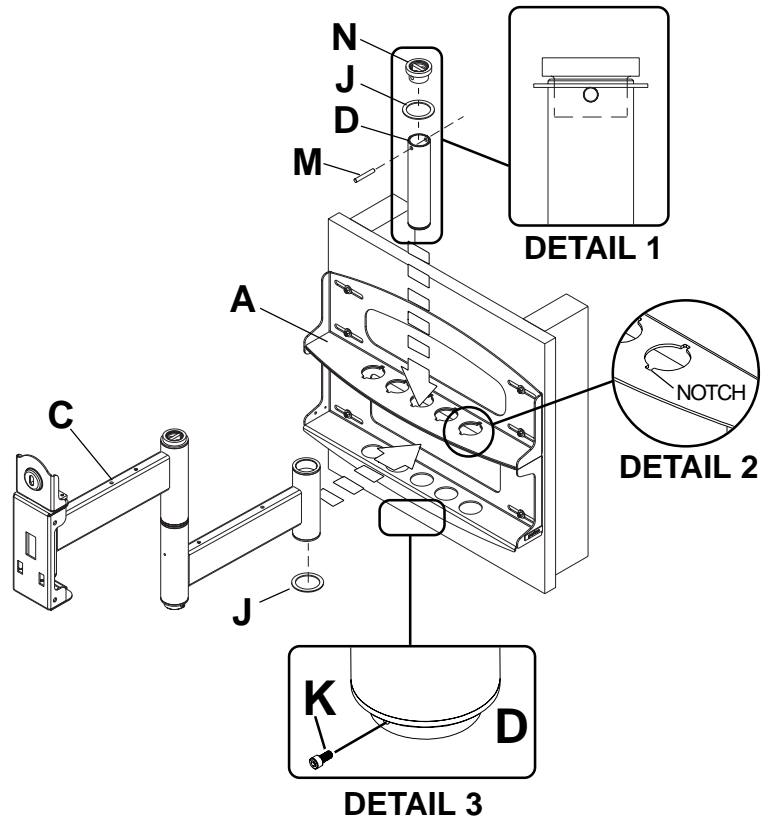
- If you are uncertain that product is properly installed, call customer care.

**2** **Note: There are five mounting positions. The center position is shown (right).** Slide washer (J) over wall support arm axle (D). Next, insert plastic cap (N) into axle. Then, insert holding pin (M) into axle. See detail 1.

**2-1** Place arm assembly (C) with washer (J) into wall plate (A). Insert axle assembly shown in detail 1 through wall plate (A), arm assembly (C), and washer (J). Lock axle in place by aligning holding pin (M) with notches shown in detail 2.

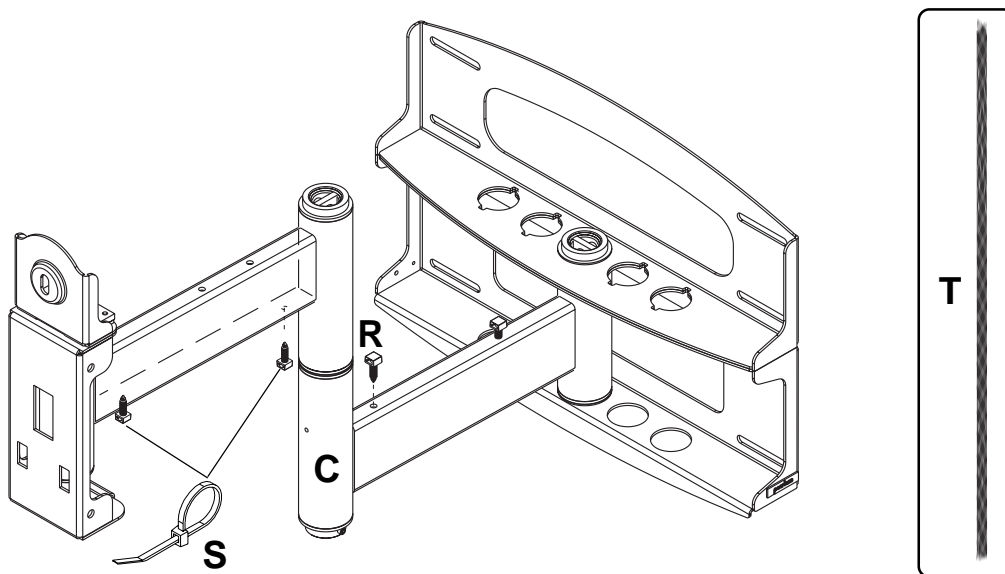
**2-2** Insert socket cap screw (K) into hole at bottom of wall support arm axle (D) as shown in detail 3. Tighten screw using 9/64" allen wrench (Q).

**Note:** Fit of axle (D) into wall plate (A) and arm assembly (C) will be tight. Gently tap into place with a hammer if necessary.



**3** Snap four cable management clips (R) into top or bottom of arm assembly (C) as shown. Cable ties (S) are used with clips for cord management.

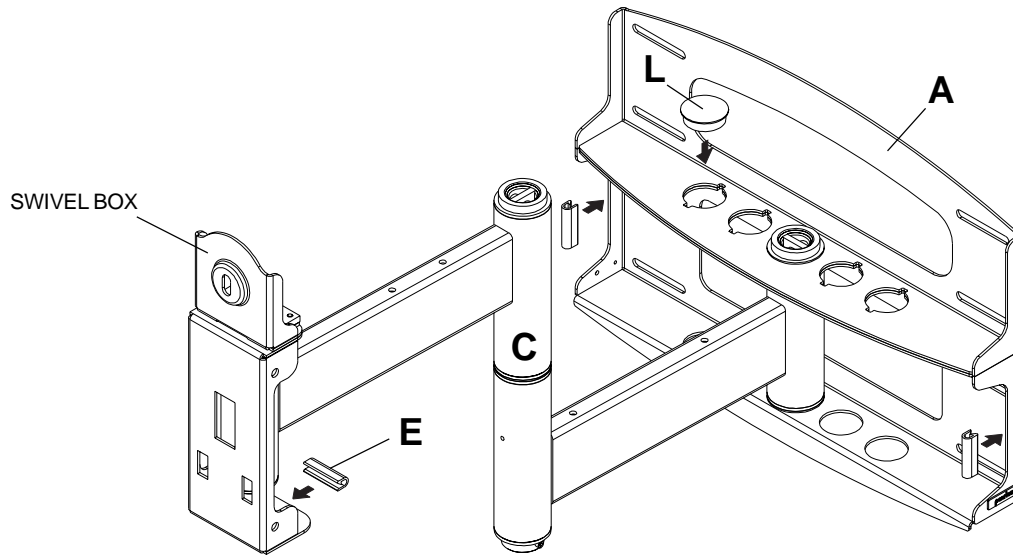
**3-1** Slide one mesh sleeve (T) over each cable. Use cable ties (S) to tighten mesh sleeves to cables.





**4** Attach two pieces of vinyl trim (E) to wall plate (A). Next, attach one piece of vinyl trim to bottom of swivel box on arm assembly (C).

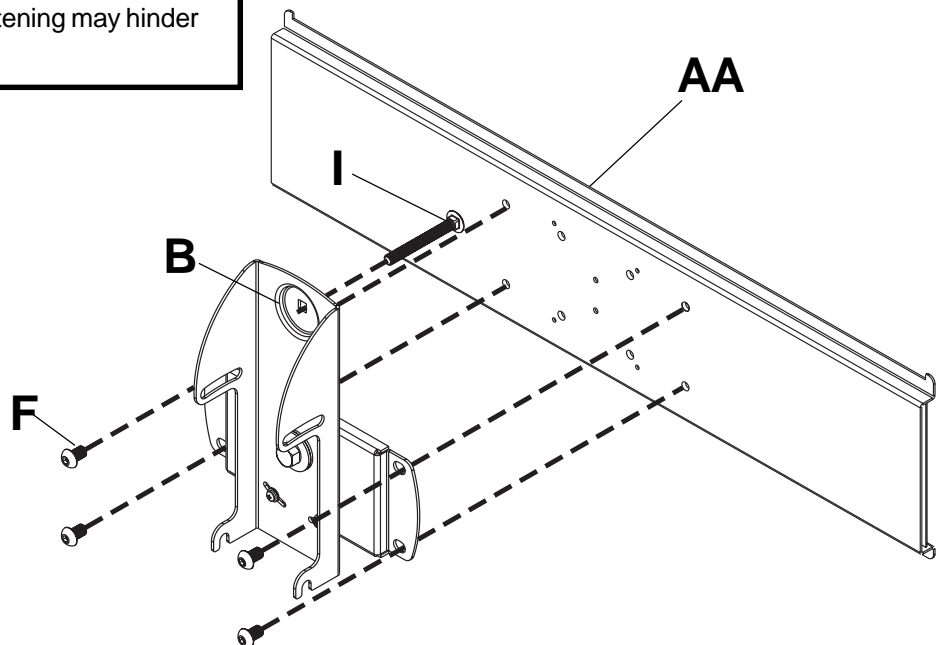
**4-1** Insert one finishing cap (L) into each unused hole of wall plate (A).



**5** Insert and tape carriage bolt (I) into top hole of pitch-roll assembly (B). Attach tilt-roll assembly to adapter bracket (AA) with four M10 socket screws (F). Tighten screws using 6 mm allen wrench (U).

## CAUTION

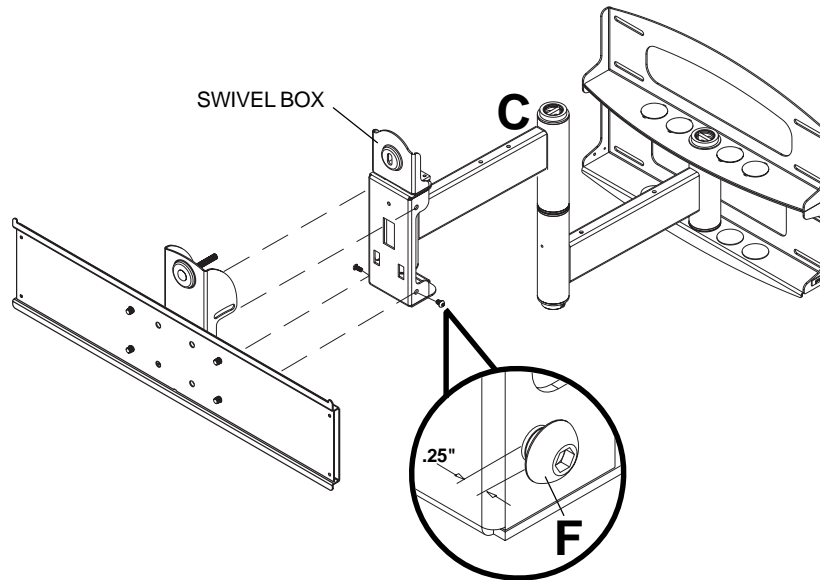
- Do not overtighten screws! Overtightening may hinder roll option.



## ⚠ WARNING

- Use an assistant or mechanical lifting equipment to safely lift and position the plasma TV.

**6** Insert two M10 screws (F) into swivel box on arm assembly (C) as shown. Leave approx. 1/4" of exposed thread.

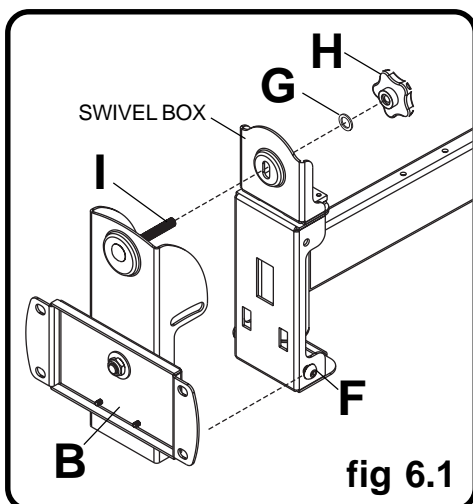


**6-1** Hook tilt-roll assembly (B) onto M10 screws (F). Insert carriage bolt (I) into slot of swivel box as shown in figure 6.1. Install nylon washer (G) and tilt adjustment knob (H).

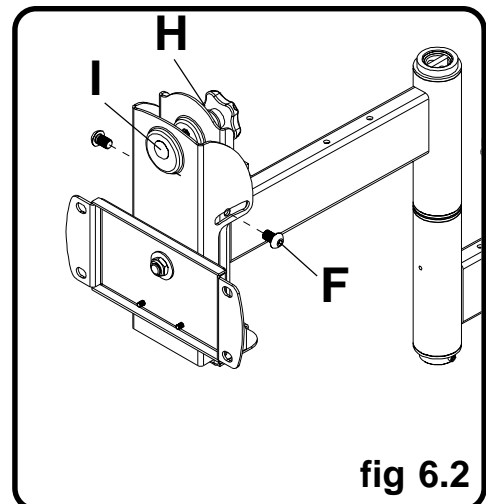
**6-2** Install remaining two M10 screws (F) as shown in figure 6.2. **HAND TIGHTEN** all four M10 screws to allow for tilt adjustment. Remove tape from carriage bolt (I). For tilt adjustment, push back on the top of plasma to relieve pressure on knob. Adjust tilt to desired position and tighten tilt adjustment knob (H), then securely tighten all four M10 screws (F) using 6 mm allen wrench (U).

## CAUTION

- After tilt is adjusted, all fasteners must be tightened. Failure to do so will result in damage to the mount.



Adapter bracket not shown for clarity.



Adapter bracket not shown for clarity.

## Installing Adapter Brackets

Refer to **Screen Compatibility Chart** to determine the proper fasteners to use.

- 7** To prevent scratching the screen, set a cloth on a flat, level surface that will support the weight of the screen. Place screen face side down. If screen has knobs on the back, remove them to allow the adapter brackets to be attached. Place adapter brackets (**BB or CC**) on back of screen, align to holes, and center on back of screen as shown in figure 7.1. Attach the adapter brackets to the back of the screen using the appropriate combination of screws, multi-washers, and spacers as shown in figure 7.3.

**Note:** Top and bottom holes must always be used.

Verify that all holes are properly aligned, and then tighten screws using a phillips screwdriver.

**Note:** If using security screws, tighten using security allen wrench (**DD**).

### ⚠ WARNING

- Tighten screws so adapter brackets are firmly attached. Do not tighten with excessive force. Overtightening can cause stress damage to screws, greatly reducing their holding power and possibly causing screw heads to become detached. Tighten to 40 in. • lb (4.5 N.M.) maximum torque.

#### Notes:

- The number of fasteners used will vary, depending upon the type of screen.
- Multi-washers and spacers may not be used, depending upon the type of screen.
- Use the corresponding hole in the multi-washer that matches your screw size as shown in figure 7.2.

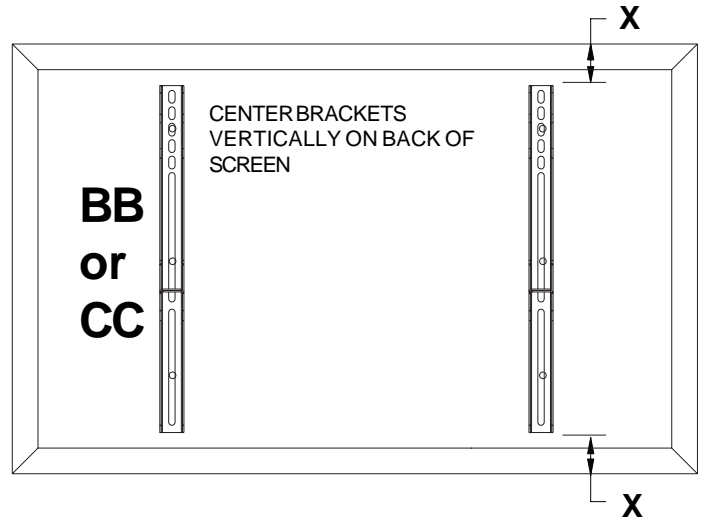
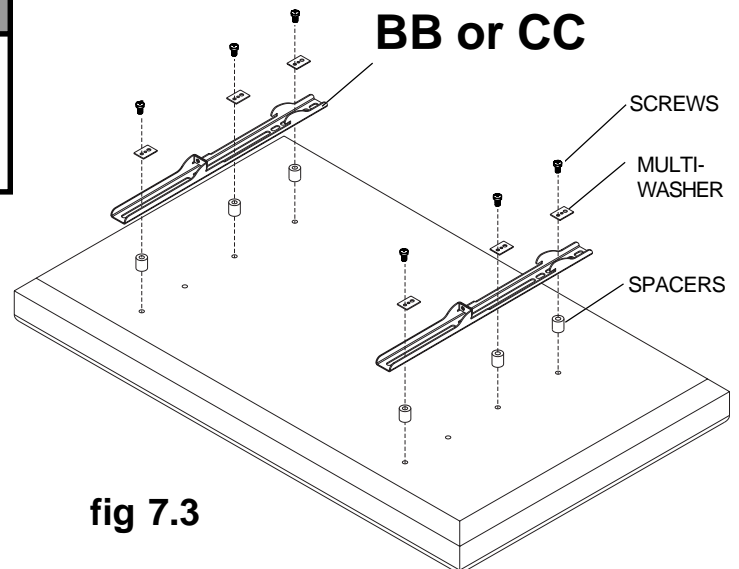
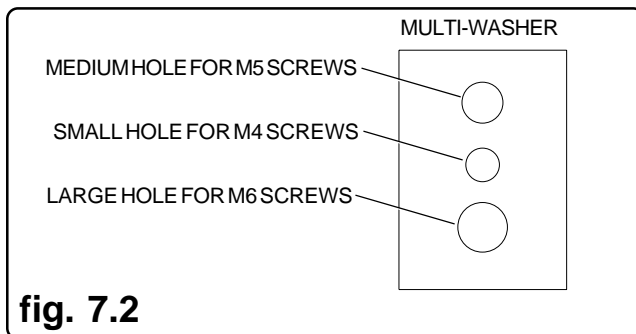


fig 7.1

**Note:** "X" dimensions should be equal.

### ⚠ WARNING

- If screws don't get three complete turns in the screen inserts or if screws bottom out and bracket is still not tightly secured, damage may occur to screen or product may fail.



## Mounting and Removing Flat Panel Screen

Refer to mount instruction sheet for attachment of adapter bracket to mount.

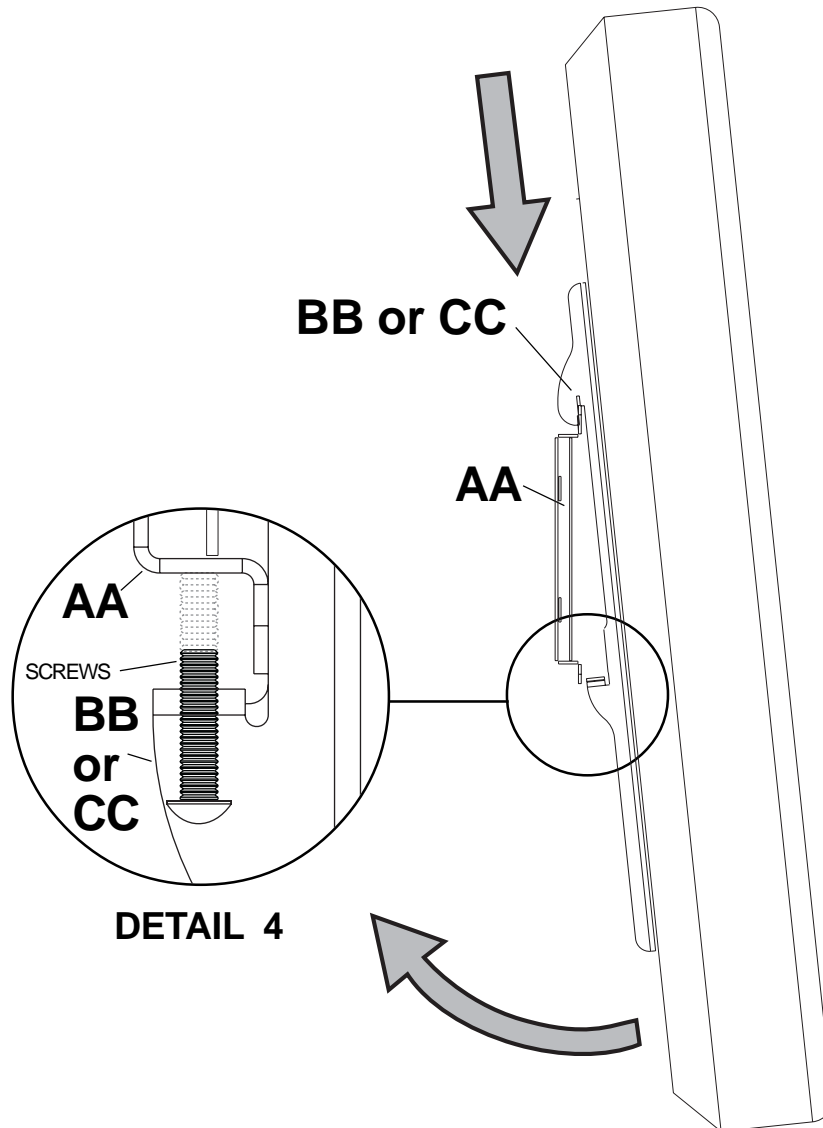
- Hook adapter brackets (**BB or CC**) onto adapter bracket (**AA**), then slowly swing screen in as shown. Turn screws clockwise at least six times to prevent screen from being removed as shown in detail 4. Tighten using allen wrench (**DD**). Screen can be adjusted horizontally if desired.

**Note:** To lock the screen down, tighten screws to adapter bracket as shown in detail 4.

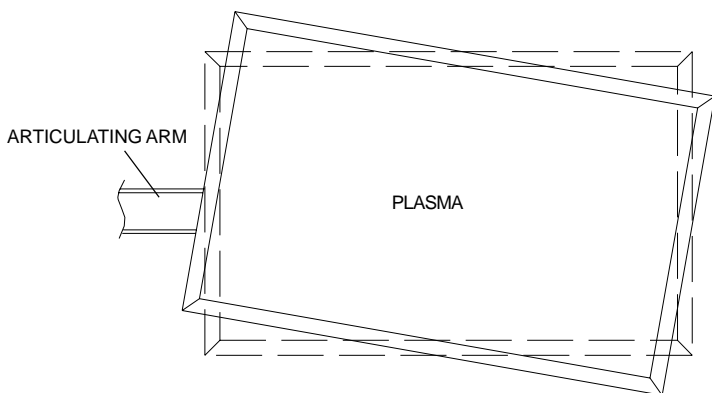
To remove screen from mount, loosen screws, swing screen away from mount, and lift screen off of mount.

### ⚠ WARNING

- Always use an assistant or mechanical lifting equipment to safely lift and position the plasma television.

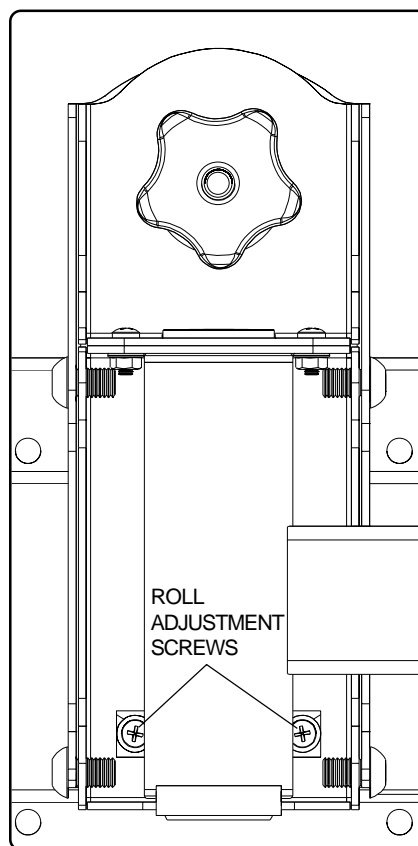


**9** Depending on the specific size & weight of the plasma, articulating swing arm may be angled at different positions, causing plasma to appear to lean sideways at different articulating positions. Tilt-roll assembly (**B**) allows plasma to be manually adjusted, so plasma can be horizontal at all positions. To adjust, gently rotate plasma by hand to desired position.



**9-1** If it is too difficult to adjust roll of plasma, loosen screws shown in figure 9.1 using a phillips screwdriver.

**IMPORTANT!** Do not loosen or tighten screws more than 1/8 turn.

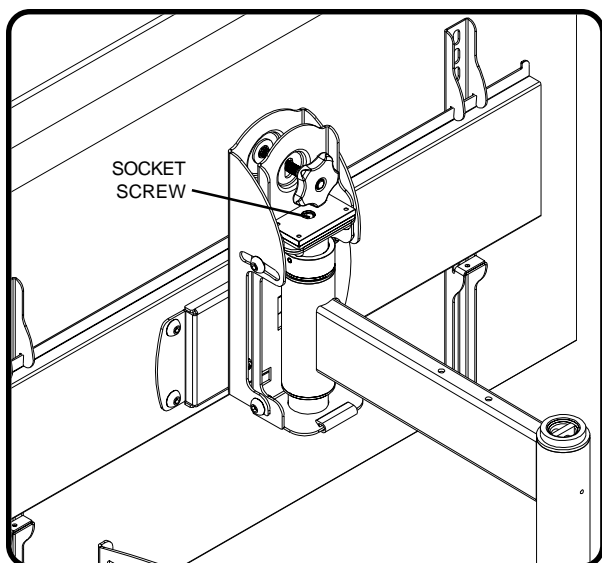


**fig 9.1**

**FOR PLAV 60 ONLY:**

**10** Position of screen may be adjusted vertically up to .79" in each direction by doing the following:

- To lower screen, turn socket screw shown in figure 10.1 clockwise with 10 mm allen wrench (**V**).
- To raise screen, turn socket screw shown in figure 10.1 counterclockwise with 10 mm allen wrench (**V**).



**fig 10.1**

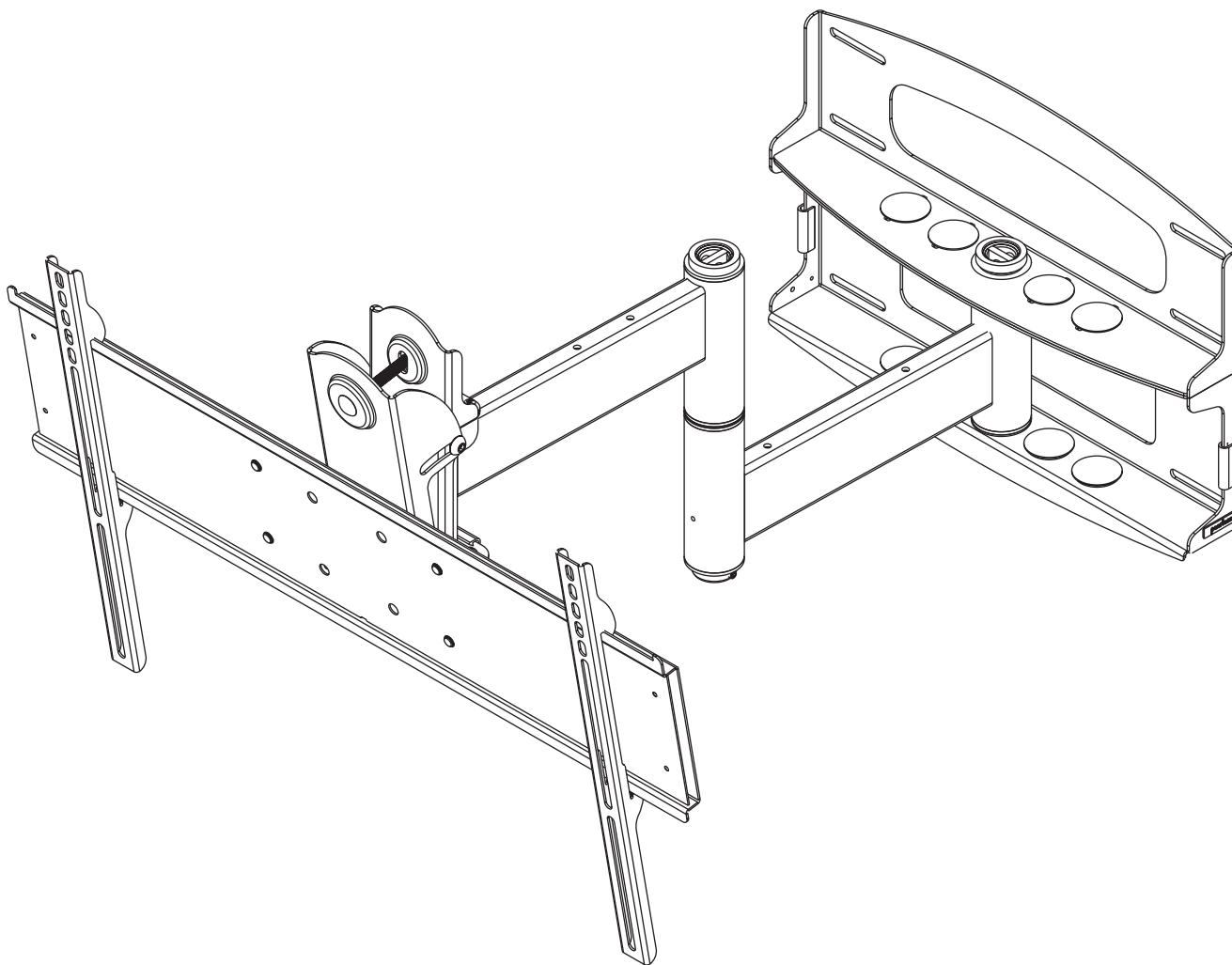
**Installation et montage - Support mural articulé universel pour écrans plasma de 37 à 60 po**

**Modèles : PLA 60-UNL, PLA 60-UNL-S, PLA 60-UNLP, PLA 60-UNLP-S, PLAV 60-UNL, PLAV 60-UNL-S, PLAV 60-UNLP, PLAV 60-UNLP-S RTPLA 60, RTPLA 60-S, RTPLA UN7, RTPLA UN7S, D-FPA-320, D-FPA-320S**



Ce produit est homologué UL. Il doit être installé par un installateur professionnel qualifié.

**Capacité de charge maximale préconisée par UL : 175 lb (79 kg)**



## Lire la feuille d'instructions avant de commencer l'installation et le montage.

### **⚠ AVERTISSEMENT**

- Ne commencez pas à installer votre produit Peerless avant d'avoir lu et assimilé les instructions et les avertissements contenus dans cette fiche d'installation. Pour toute question concernant les instructions ou les avertissements, veuillez appeler le service à la clientèle de Peerless au 1-800-729-0307.
- Ce produit doit être installé uniquement par un professionnel qualifié.
- Assurez-vous que la surface de support puisse soutenir sans danger la charge totale de l'équipement ainsi que des pièces et composants qui y sont attachés.
- Ne dépassez jamais la capacité de charge maximum de 175 lb (79 kg) établie par l'UL.
- Ne pas monter directement sur un mur à montants métalliques. Il est nécessaire d'utiliser une plaque murale WSP afin de fixer le support à des montants métalliques (veuillez vous adresser au service à la clientèle). L'installation sur montants métalliques n'a pas été évaluée par l'UL.
- Si vous l'installez sur un mur à montants en bois, assurez-vous que les vis de montage sont ancrées au centre des montants. L'utilisation d'un localisateur de montants « bord à bord » est fortement recommandée.
- Pour lever et positionner l'équipement en toute sécurité, faites-vous toujours aider par une autre personne ou utilisez un dispositif de levage mécanique.
- Serrez fermement les vis et les écrous, mais sans excès. Un serrage excessif peut endommager les composants et en réduire considérablement la capacité de support.

#### **IMPORTANT!** Certains types de murs nécessitent des pièces de fixation supplémentaires..

| <b>TYPE DE MUR</b>           | <b>PIÈCES DE FIXATION SUPPLÉMENTAIRES REQUISES</b> |
|------------------------------|--|
| Montant ou poutre en bois    | aucune   |
| Béton                        | aucune   |
| Montant métallique           | WSP716, WSP716-S, WSP724, WSP724-S                 |
| Autre surface ou incertain ? | Communiquez avec le service clientèle              |

## **IMPORTANT ! Reportez-vous à la page correspondant au type de mur choisi pour l'installatio**

### **Installation :**

- **À des murs à montants en bois ..... page 19**
- **À des murs en béton ..... page 20**

## **Outils nécessaires au montage**

- localisateur de montants (un localisateur de montants « bord à bord » est recommandé.)
- perceuse
- foret de 7/32 po pour montants en bois
- foret à maçonnerie de 5/16 po pour béton
- clé à douille de 7/16 po avec extension (recommandé)
- niveau
- tournevis Phillips

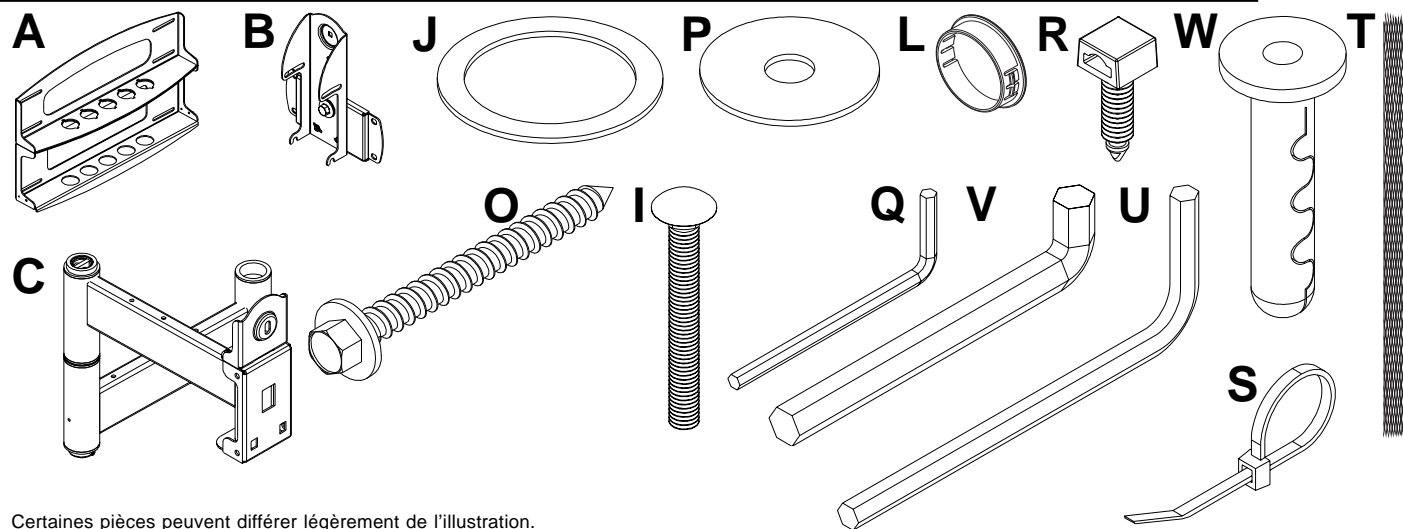
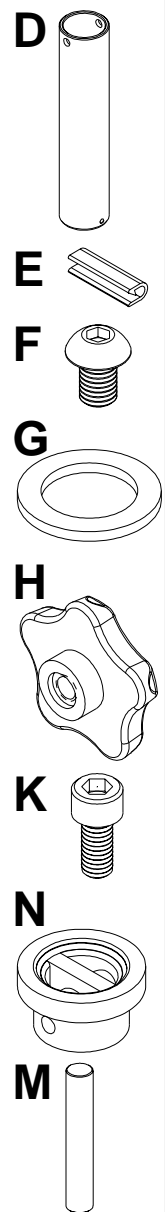
## **Accessoires**

- Plaque murale extérieure (WSP716, WSP716-S, WSP724, WSP724-S)  
(Le montant métallique n'a pas été évalué par l'UL)

Avant de commencer, veuillez vous assurer que toutes les pièces énumérées sont incluses.

## Liste des pièces du support mural

| Descripción                        | Cant.       | D-FPA-320   | D-FPA-320S  | PLAV60-UNL  | PLAV60-UNL-S |
|------------------------------------|-------------|-------------|-------------|-------------|--------------|
|                                    |             | RTPLA 60    | RTPLA 60-S  |             |              |
|                                    | Nº de pieza | Nº de pieza | Nº de pieza | Nº de pieza | Nº de pieza  |
| A plaque murale                    | 1           | 201-1040    | 201-4040    | 201-1040    | 201-4040     |
| B support inclinable et rotatif    | 1           | 201-1093    | 201-4093    | 201-1048    | 201-4048     |
| C bras articulé                    | 1           | 201-1072    | 201-4072    | 201-1049    | 201-4049     |
| D axe du support mural             | 1           | 201-1041    | 201-1041    | 201-1041    | 201-1041     |
| E bordure en vinyle                | 3           | 600-1012    | 600-1012    | 600-1012    | 600-1012     |
| F boulon à vis M10 x 1,5 x 15 mm   | 8           | 520-9262    | 520-9262    | 520-9262    | 520-9262     |
| G rondelle 0,505 x .75 x 0,062 po  | 1           | 540-1074    | 540-1074    | 540-1074    | 540-1074     |
| H molette                          | 1           | 560-0108    | 560-0108    | 560-0108    | 560-0108     |
| I boulon 3/8 -16 x 3,25 po         | 1           | 520-1315    | 520-1315    | 520-1315    | 520-1315     |
| J rondelle 1,525 x 2 x 0,062 po    | 2           | 540-1070    | 540-1070    | 540-1070    | 540-1070     |
| K vis d'assemblage à tête creuse   | 1           | 520-1210    | 520-1210    | 520-1210    | 520-1210     |
| L embout de finition en plastique  | 8           | 590-1123    | 590-1123    | 590-1123    | 590-1123     |
| M tige de fixation                 | 1           | 580-1166    | 580-1166    | 580-1166    | 580-1166     |
| N bouchon de sûreté                | 1           | 590-1007    | 590-1007    | 590-1007    | 590-1007     |
| O vis à bois de 5/16 x 3 po        | 8           | 520-1243    | 520-1243    | 520-1243    | 520-1243     |
| P rondelle de 0,250 x 1 x 0,068 po | 8           | 540-1063    | 540-1063    | 540-1063    | 540-1063     |
| Q clé hexagonale de 9/64 po        | 1           | 560-9728    | 560-9728    | 560-9728    | 560-9728     |
| R serre-câble                      | 4           | 590-1166    | 590-1166    | 590-1166    | 590-1166     |
| S attache de câble                 | 4           | 590-1168    | 590-1168    | 590-1168    | 590-1168     |
| T enveloppe en maille polyester    | 1           | 600-1015    | 600-1015    | 600-1015    | 600-1015     |
| U clé hexagonale de 6 mm           | 1           | 560-9716    | 560-9716    | 560-9716    | 560-9716     |
| V clé hexagonale de 10 mm          | 1           | n/a         | n/a         | 560-9727    | 560-9727     |
| W cheville d'ancrage               | 8           | 590-1025    | 590-1025    | 590-1025    | 590-1025     |



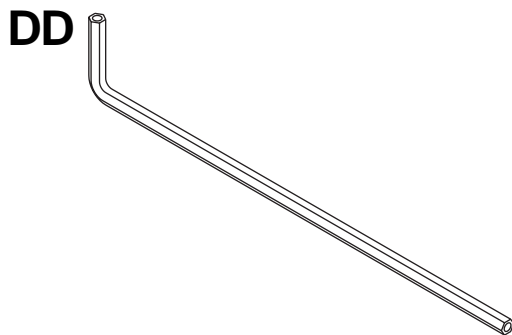
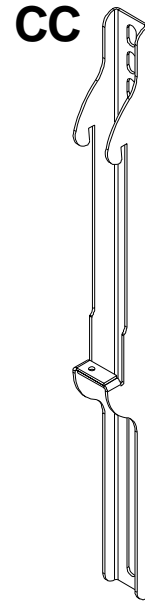
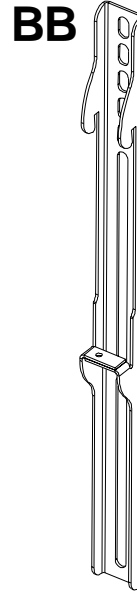
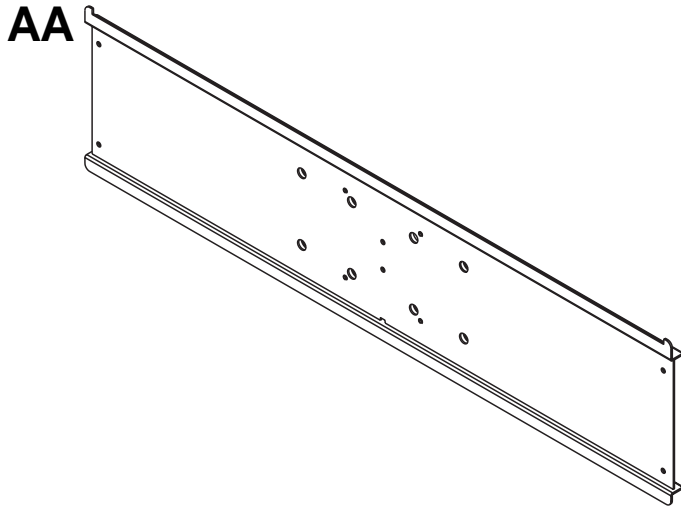
Certaines pièces peuvent différer légèrement de l'illustration.



Avant de commencer, veillez à ce que toutes les pièces énumérées soient incluses.

## Liste des pièces

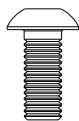
| Description                              | Qté      | PLA 60-UNL  | PLA 60-UNL-S  | D-FPA-320    | D-FPA-320S     |
|--|----------|-------------|---------------|--------------|----------------|
|  |          | PLAV 60-UNL | PLAV 60-UNL-S | RTPLA UN7    | RTPLA UN7S     |
|  | Pièce n° | Pièce n°    | Pièce n°      | RTPLA 60     | RTPLA 60-S     |
|  |          |             |               | PLA 60-UNLP  | PLA 60-UNLP-S  |
|  |          |             |               | PLAV 60-UNLP | PLAV 60-UNLP-S |
|  |          |             |               | Pièce n°     | Pièce n°       |
| <b>AA</b> support adaptateur             | 1        | 201-1110    | 201-4110      | 201-1110     | 201-4110       |
| <b>BB</b> support adaptateur peu profond | 2        | 200-0756    | 200-0757      | 200-0754     | 200-0755       |
| <b>CC</b> support adaptateur profond     | 2        | 200-0752    | 200-0753      | 200-0750     | 200-0751       |
| <b>DD</b> clé hexagonale                 | 1        | 560-9646    | 560-9646      | 560-0072     | 560-0072       |



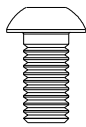
## Fixations de sécurité du support adaptateur



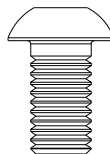
M4 x 12 mm (6)  
510-1079



M5 x 12 mm (4)  
520-1064



M6 x 12 mm (4)  
520-1050



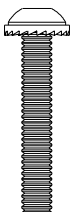
M8 x 15 mm (6)  
520-1068



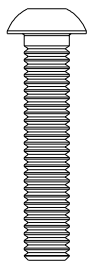
M6 x 20 mm (4)  
520-9554



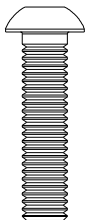
M5 x 25 mm (4)  
520-1122



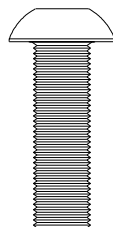
M4 x 25 mm (4)  
510-1082



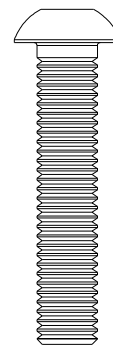
M6 x 30 mm (4)  
520-1067



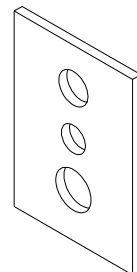
M6 x 25 mm (4)  
520-1211



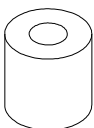
M8 x 25 mm (4)  
520-1101



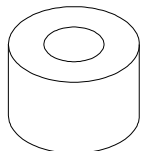
M8 x 40 mm (4)  
520-1152



rondelle tout  
usage (6)  
580-1036

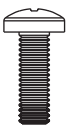


I.D. 5.6 mm (4)  
540-1057

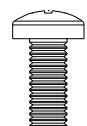


I.D. 8.7 mm (4)  
540-1059

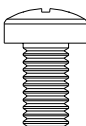
## Fixations Phillips du support adaptateur



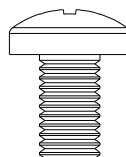
M4 x 12 mm (6)  
504-9013



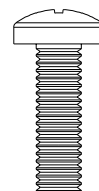
M5 x 12 mm (4)  
520-1027



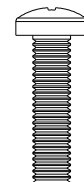
M6 x 12 mm (4)  
520-1128



M8 x 16 mm (6)  
520-9257



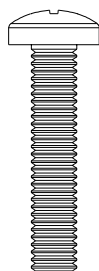
M6 x 20 mm (4)  
520-9402



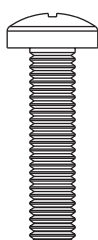
M5 x 25 mm (4)  
520-9543



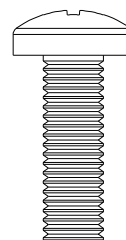
M4 x 25 mm (4)  
504-1015



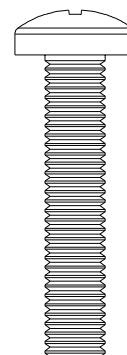
M6 x 30 mm (4)  
510-9109



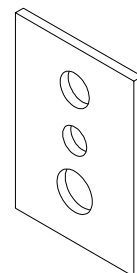
M6 x 25 mm (4)  
520-1208



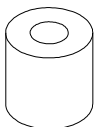
M8 x 25 mm (4)  
520-1031



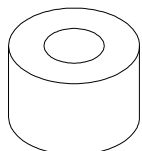
M8 x 40 mm (4)  
520-1136



rondelle tout  
usage (6)  
580-1036



I.D. 5.6 mm (4)  
540-1057



I.D. 8.7 mm (4)  
540-1059

## Installation sur des murs à montants en bois

### ⚠ AVERTISSEMENT

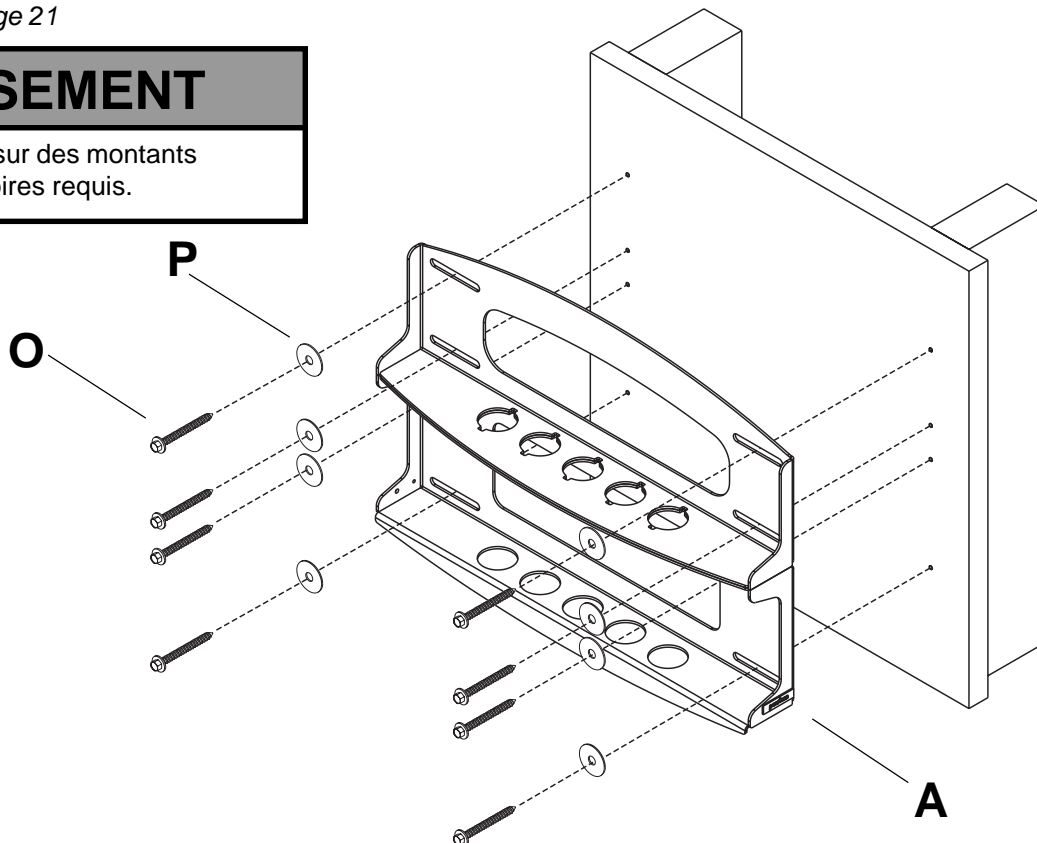
- L'installateur doit s'assurer que la surface de support puisse soutenir sans danger la charge totale de l'équipement ainsi que des pièces et composants qui y sont attachés.
- Serrez fermement les vis à bois pour que la plaque murale tienne solidement en place, mais sans excès. Un serrage excessif peut endommager les vis et en réduire considérablement le pouvoir de maintien.
- Ne serrez jamais à plus de 80 po-lb (9 Nm).
- Ne pas monter directement sur un mur à montants métalliques. Il est nécessaire d'utiliser une plaque murale WSP afin de fixer le support à des montants métalliques (veuillez vous adresser au service à la clientèle). L'installation sur montants métalliques n'a pas été évaluée par l'UL.
- Assurez-vous que les vis de montage sont fixées au centre des montants. L'utilisation d'un localisateur de montants "bord à bord" est fortement recommandée.
- Les pièces de fixations fournies sont prévues pour une installation du support sur des montants en bois à travers une cloison sèche ou du plâtre d'épaisseur standard. Il est de la responsabilité de l'installateur de fournir les pièces de fixation requises pour tout autre type d'installation.
- Ne dépassez jamais la capacité de charge maximum de 175 lb (79 kg) établie par l'UL.

- 1** La plaque murale (A) peut être installée à deux montants espacés de 16 po. Repérez le bord des montants à l'aide d'un localisateur de montants. L'utilisation d'un localisateur de montants « bord à bord » est fortement recommandée. Après avoir repéré les bords, tracez une ligne verticale le long du centre de chaque montant. Posez la plaque murale sur le mur et utilisez-la comme gabarit. Les fentes de montage supérieures doivent être situées à 0,36 po au-dessus de l'endroit souhaité pour le centre de l'écran pour les modèles PLA 60-UNL, PLA 60-UNL-S, PLA 60-UNLP, RTPLA 60, PLA 60-UNLP-S RTPLA 60-S, RTPLA UN7, RTPLA UN7S, D-FPA-320, et D-FPA-320S et à 0,43 po sous l'endroit souhaité pour le centre de l'écran pour les modèles PLAV 60-UNL, PLAV 60-UNL-S, PLAV 60-UNLP et PLAV 60-UNLP-S. Mettez la plaque à niveau et marquez le centre des huit trous de fixation. Veillez à ce que les trous de fixation soient sur la ligne médiane du montant. Percez huit trous de 7/32 po de dia. et de 3 po de profondeur. Veillez à ce que la plaque murale soit de niveau et fixez-la à l'aide de huit vis à bois de 5/16 x 3 po (O) et des rondelles (P).

.Passez à l'étape 2 à la page 21

### ⚠ AVERTISSEMENT

- N'installez jamais ce produit sur des montants métalliques sans les accessoires requis.

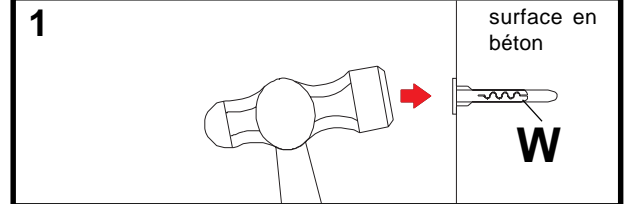


## Installation à un mur en béton

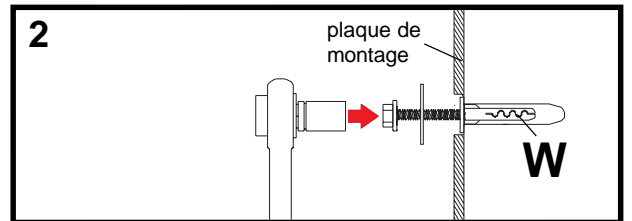
### ⚠ AVERTISSEMENT

- Le béton doit avoir une densité minimale de 2 000 psi. Du béton de moindre densité risque de ne pas soutenir la cheville pour béton.
- Assurez-vous que la surface de support puisse soutenir sans danger la charge totale de l'équipement ainsi que des pièces et composants qui y sont attachés.
- Ne dépassez jamais la capacité de charge maximum de 175 lb (79 kg) établie par l'UL.
- N'installez jamais ce produit sur des montants métalliques.

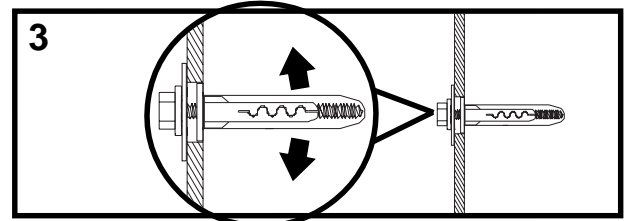
- 1** Utilisez la plaque murale (A) comme gabarit pour marquer l'emplacement des trous, en vous assurant qu'elle est de niveau. Les fentes de montage supérieures doivent être situées à 0,36 po au-dessus de l'endroit souhaité pour le centre de l'écran pour les modèles PLA 60-UNL, PLA 60-UNL-S, PLA 60-UNLP, PLA 60-UNLP-S et RTPLA 60-S et à 0,43 po sous l'endroit souhaité pour le centre du moniteur pour les modèles PLAV 60-UNL, PLAV 60-UNL-S, RTPLA 60, RTPLA 60S, RTPLA UN7, RTPLA UN7S, D-FPA-320, D-FPA-320S, PLAV 60-UNLP, est PLAV 60-UNLP-S. Employez le peu de maçonnerie pour forer 5/16" (8 millimètres) diamètre. trous à une profondeur minimum de 3" (76 millimètres). Insérez les chevilles d'ancrage (W) dans les trous au ras du mur comme illustré (à droite). Placez la plaque murale (A) sur les chevilles et fixez-la à l'aide de vis à bois de 5/16 x 3 po (O) et des rondelles (P).



1 Percez le/les trou(s) et insérez la/les cheville(s) d'ancrage



2 Posez la plaque sur la/les cheville(s) d'ancrage et fixez-la à l'aide de vis



3 Serrez toutes les fixations

### ⚠ AVERTISSEMENT

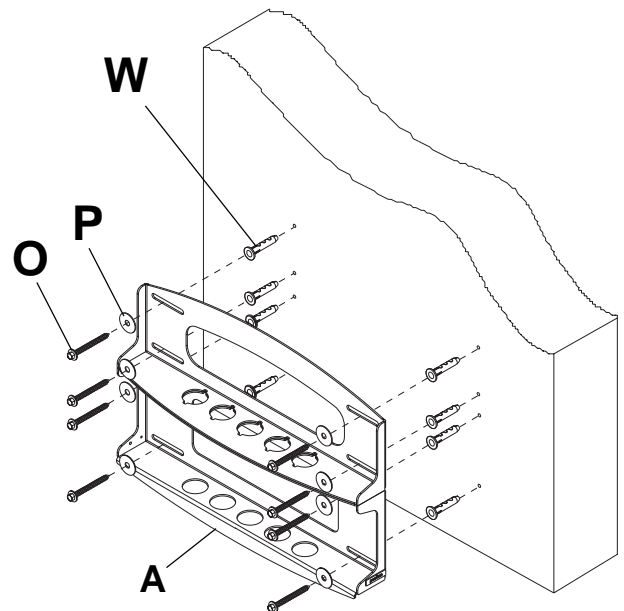
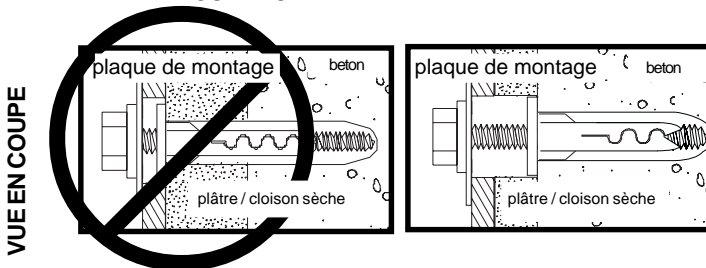
- Serrez les vis à bois pour que la plaque murale tienne solidement en place, mais sans excès. Un serrage excessif peut endommager les vis et en réduire considérablement la capacité de support.
- Ne serrez jamais à plus de 80 po-lb (9 Nm).

### ⚠ AVERTISSEMENT

- Fixez toujours des chevilles à expansion directement sur le béton porteur.
- Ne fixez jamais des chevilles à expansion pour béton à du béton recouvert d'une couche de plâtre, d'une cloison sèche ou de tout autre matériau de finition. Si vous devez absolument effectuer l'installation sur du béton recouvert d'une surface de finition, celle-ci doit être chambrée, comme indiqué ci-dessous. Si l'épaisseur du plâtre ou de la cloison sèche dépasse 5/8 po, l'installateur devra fournir des pièces de fixation sur mesure (non évaluées par l'UL).

INCORRECT

CORRECT



## ⚠ AVERTISSEMENT

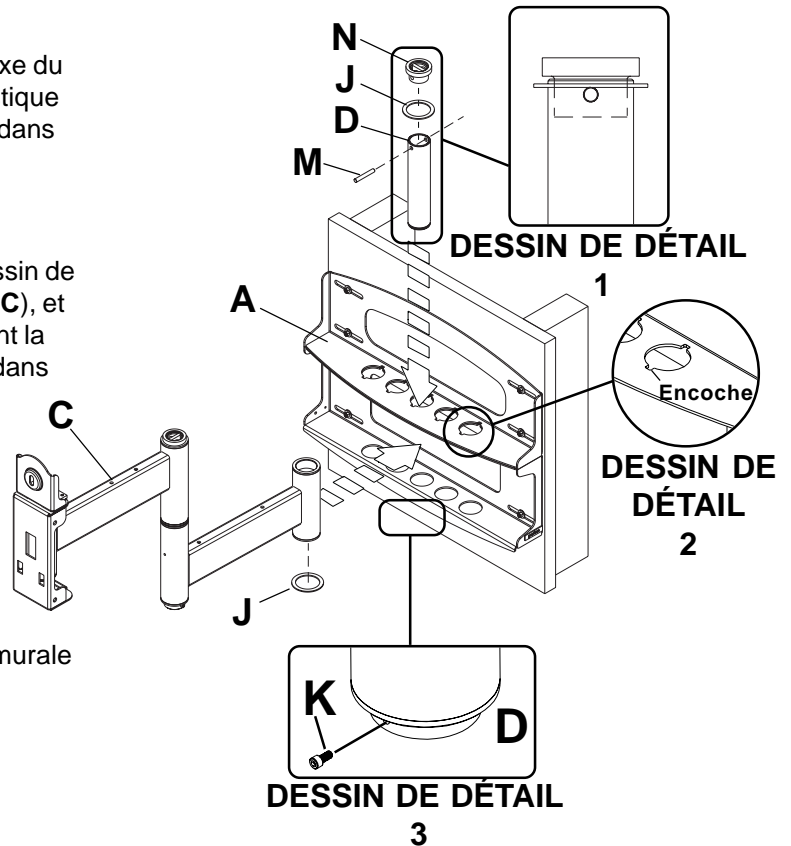
- Si vous n'êtes pas certain que le produit est installé correctement, appelez le service à la clientèle.

**2** Remarque : Il y a cinq positions de montage possibles. La position centrale est illustrée (à droite). Faites glisser la rondelle (J) par dessus l'axe du support mural (D). Insérez ensuite l'embout en plastique (N) dans l'axe. Puis, insérez la tige de fixation (M) dans l'axe. Voir le dessin de détail 1.

**2-1** Placez le bras articulé (C) et la rondelle (J) dans la plaque murale (A). Insérez l'axe illustré dans le dessin de détail 1 dans la plaque murale (A), le bras articulé (C), et la rondelle (J). Faites tenir l'axe en place en alignant la tige de fixation (M) sur les encoches tel qu'illustré dans le dessin de détail 2.

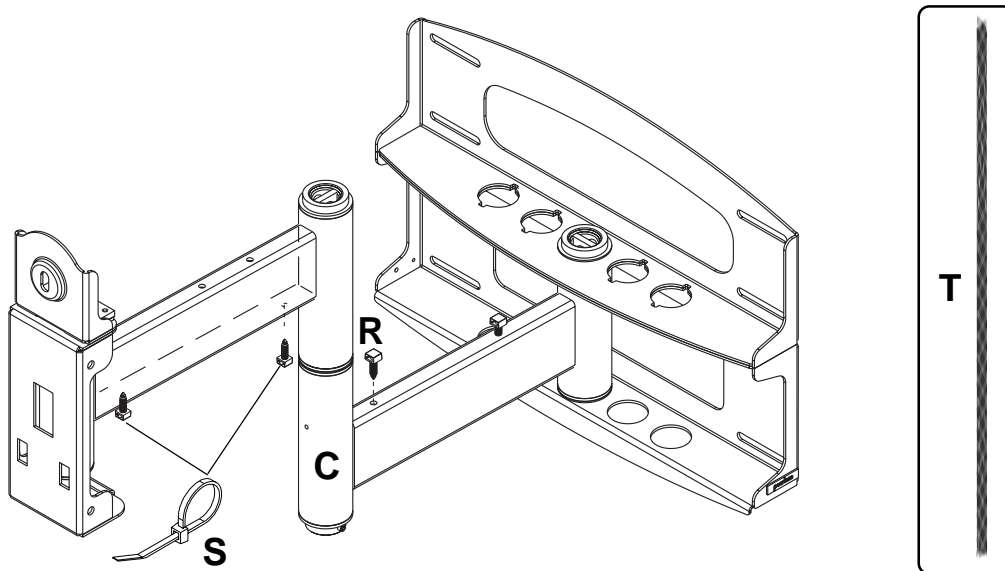
**2-2** Insérez la vis d'assemblage à tête creuse (K) dans le trou situé au bas de l'axe du support mural (D) comme illustré dans le dessin de détail 3. Serrez la vis à l'aide d'une clé hexagonale de 9/64 po (Q).

**Remarque :** L'ajustement de l'axe (D) à la plaque murale (A) et au bras articulé (C) sera serré. Enfoncez-le doucement à l'aide d'un marteau si nécessaire.



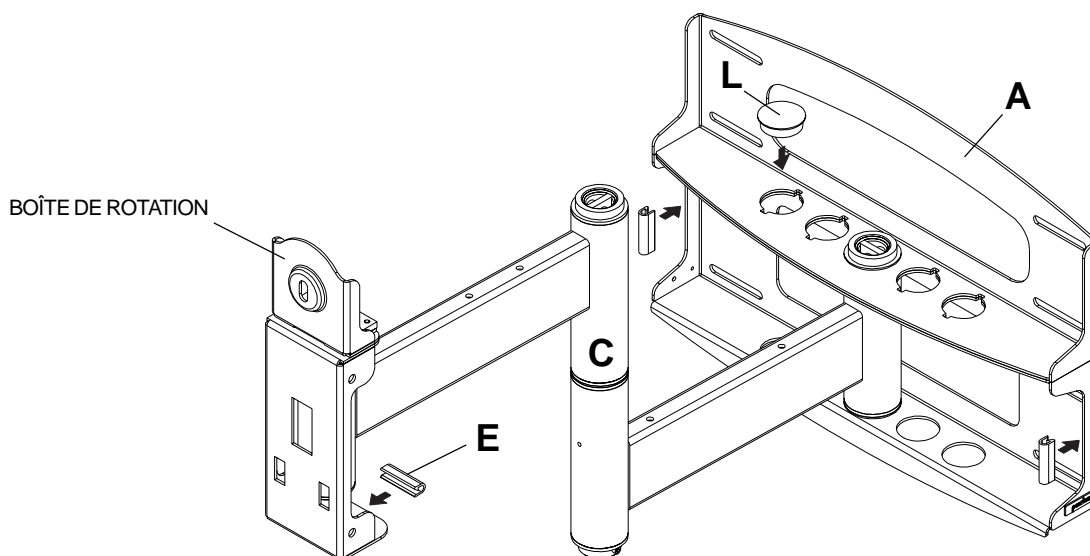
**3** Pressez quatre serre-câbles (R) sur le dessus ou le dessous du bras articulé (C) comme illustré. Des attaches de câble (S) sont utilisées conjointement aux serre-câbles pour permettre l'organisation des câbles.

**3-1** Faites glisser une enveloppe en maille (T) sur chaque câble. Utilisez les attaches de câble (S) pour resserrer les enveloppes en maille sur les câbles.



**4** Attachez deux bordures en vinyle (**E**) à la plaque murale (**A**). Attachez ensuite une bordure en vinyle au bas de la boîte de rotation du bras articulé (**C**).

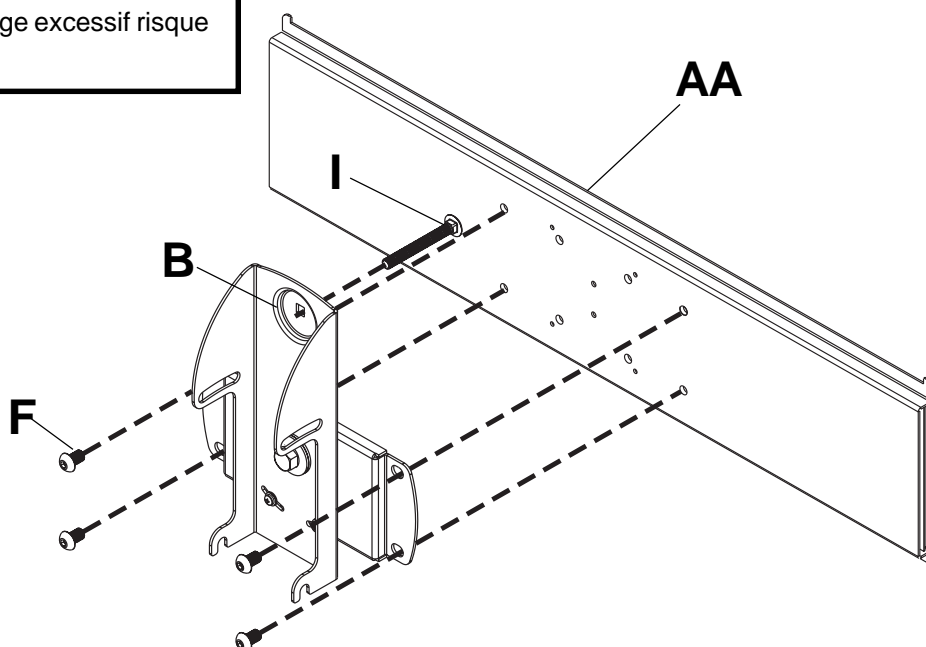
**4-1** Insérez un embout de finition (**L**) dans chaque trou inutilisé de la plaque murale (**A**).



**5** Insérez le boulon de carrosserie (**I**) dans l'orifice supérieur support inclinable et rotatif (**B**) et maintenez-le avec du ruban adhésif. Fixez le support inclinable et rotatif au support adaptateur (**AA**) à l'aide de quatre vis M10 à tête creuse (**F**). Serrez les vis à l'aide d'une clé hexagonale de 6 mm (**U**).

## ATTENTION

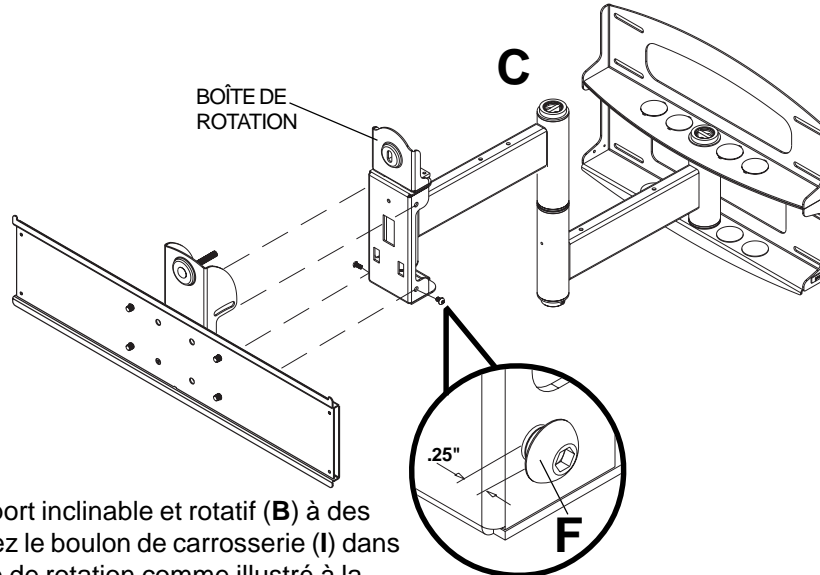
- Ne serrez pas trop les vis ! Un serrage excessif risque d'empêcher la rotation.



## ⚠ AVERTISSEMENT

- Pour lever et positionner le téléviseur plasma en toute sécurité, faites-vous aider par une autre personne ou utilisez un dispositif de levage mécanique.

- 6** Insérez deux vis M10 (F) dans la boîte de rotation du bras articulé (C) comme illustré. Laissez environ ¼ po de filetage exposé.



- 6-1** Accrochez le support inclinable et rotatif (B) à des vis M10 (F). Insérez le boulon de carrosserie (I) dans la fente de la boîte de rotation comme illustré à la figure 6.1. Posez la rondelle en nylon (G) et la molette de réglage de l'inclinaison (H).

- 6-2** Posez les deux vis M10 restantes (F) comme illustré à la figure 6.2. SERREZ À LA MAIN les quatre vis M10 pour permettre le réglage de l'inclinaison. Enlevez le ruban adhésif du boulon de carrosserie (I). Pour régler l'inclinaison, poussez le haut de l'écran plasma vers l'arrière pour réduire la pression sur la molette. Réglez l'inclinaison pour obtenir la position souhaitée et serrez la molette de réglage de l'inclinaison (H), puis serrez fermement les quatre vis M10 (F) à l'aide d'une clé hexagonale de 6 mm (U).

Le support adaptateur n'est pas illustré pour plus de clarté.

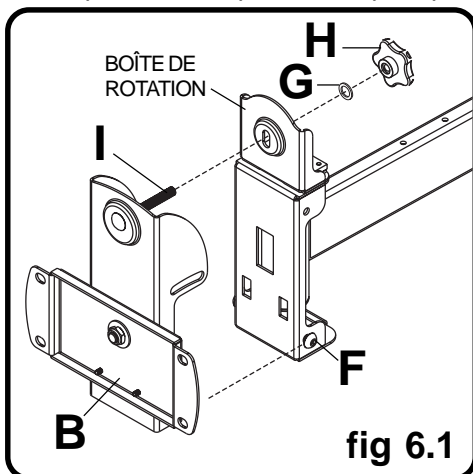


fig 6.1

## ATTENTION

- Une fois l'inclinaison réglée, toutes les fixations doivent être resserrées. Sinon, vous risqueriez de causer des dommages importants au support.

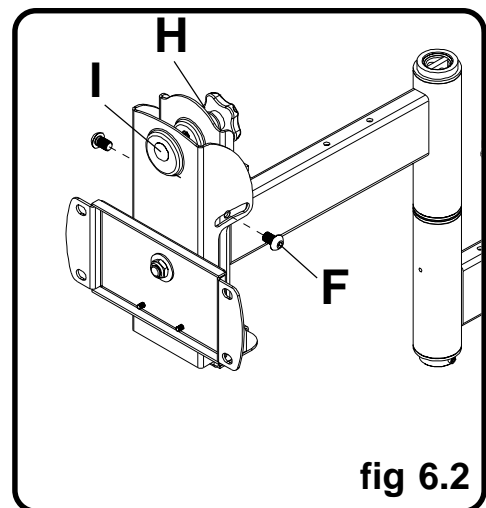


fig 6.2

Le support adaptateur n'est pas illustré pour plus de clarté.



## Installation des supports adaptateurs

Veillez vous reporter au **tableau de compatibilité avec l'écran** pour déterminer les fixations à utiliser.

- 7** Afin d'éviter d'égratigner l'écran, posez un morceau de tissu sur une surface plane et de niveau qui peut supporter le poids de l'écran. Déposez l'écran à plat, tourné vers le bas. Si l'écran possède des boutons à l'arrière, enlevez-les pour pouvoir attacher les supports adaptateurs. Placez les supports adaptateurs (**BB ou CC**) à l'arrière de l'écran, alignés aux trous et centrés sur l'arrière de l'écran comme illustré à la figure 7.1. Attachez les supports adaptateurs au dos de l'écran à l'aide de la combinaison appropriée de vis, rondelles tout usage et entretoises comme illustré à la figure 7.3.

**Remarque :** Les trous supérieurs et inférieurs doivent toujours être utilisés.

Veillez à ce que tous les trous soient bien alignés, puis serrez les vis à l'aide d'un tournevis Phillips.

**Remarque :** Si vous utilisez des vis de sécurité, serrez-les à l'aide d'une clé de sécurité hexagonale (**DD**).

### ⚠ AVERTISSEMENT

- Serrez les vis de manière à ce que les supports adaptateurs tiennent solidement en place. N'exercez pas une force excessive. Un serrage excessif peut endommager les vis, réduire considérablement leur capacité de support et, éventuellement, faire tomber les têtes de vis. Serrez à un couple maximal de 40 po-lb (4,5 Nm).

#### Notes:

- La quantité de fixations utilisées varie selon le type d'écran.
- Les rondelles tout usage et les entretoises ne sont pas toujours utilisées, selon le type d'écran.
- Servez-vous du trou de la rondelle tout usage correspondant à la taille des vis que vous utilisez comme illustré à la figure 7.2.

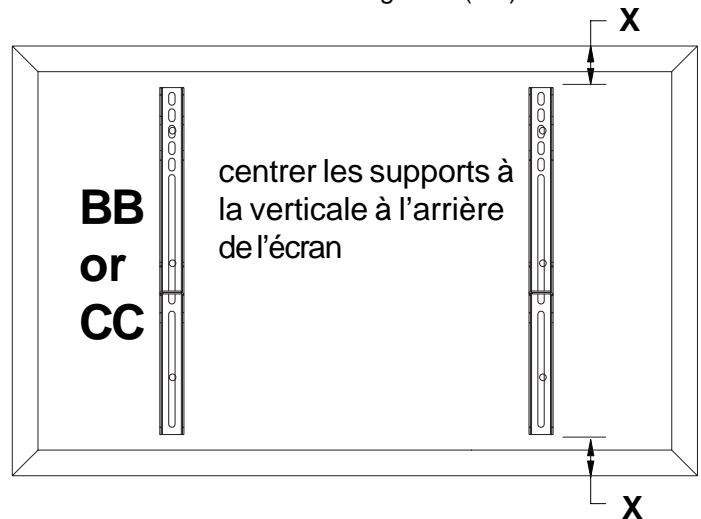


fig 7.1

**Remarque :** les dimensions de " X " doivent être égales.

### ⚠ AVERTISSEMENT

- Si les vis ne sont pas enfoncées de trois tours complets dans les inserts ou si elles sont serrées au maximum sans parvenir à fixer solidement le support, l'écran peut être abîmé ou le produit détérioré.

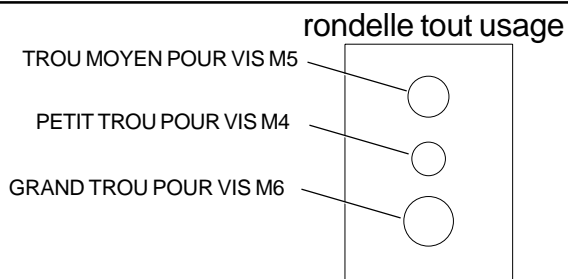


fig. 7.2

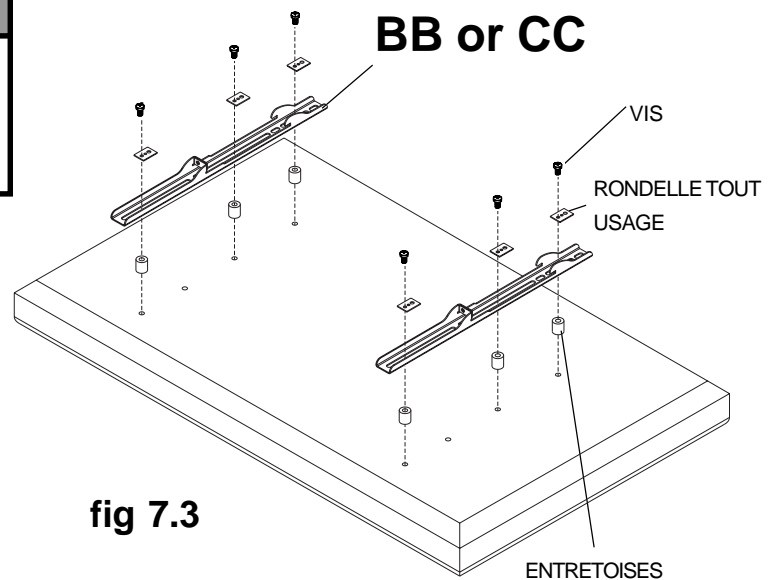


fig 7.3



## Montage et démontage d'un écran plat

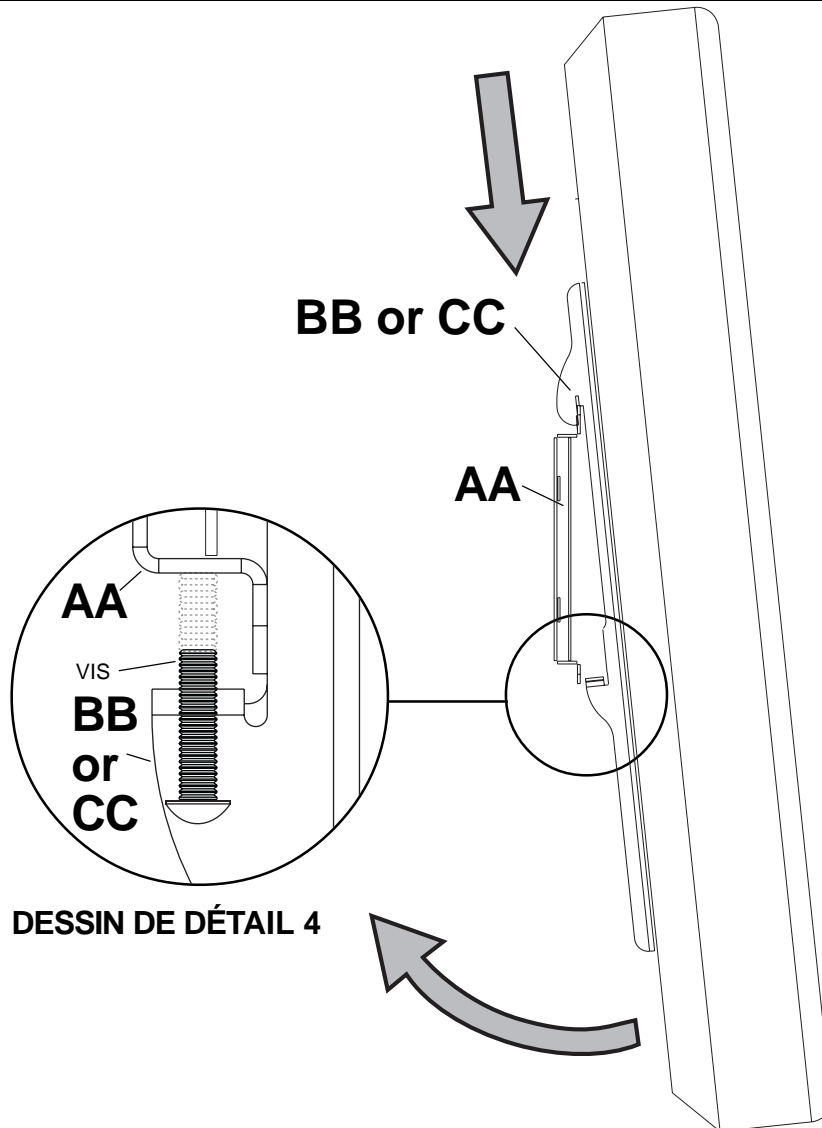
- 8** Veuillez vous reporter à la feuille d'instructions pour la fixation du support adaptateur au support.  
Accrochez les supports adaptateurs (**BB ou CC**) au support adaptateur (**AA**), puis faites pivoter lentement l'écran comme illustré. Faites au moins six tours de vis dans le sens des aiguilles d'une montre pour vous assurer que l'écran ne puisse se détacher comme illustré dans le dessin de détail 4. Serrez les vis à l'aide d'une clé hexagonale (**DD**).  
L'écran peut être réglé horizontalement si désiré.

**Remarque :** Pour verrouiller l'écran en place, vissez-le au support adaptateur comme illustré dans le dessin de détail 4.

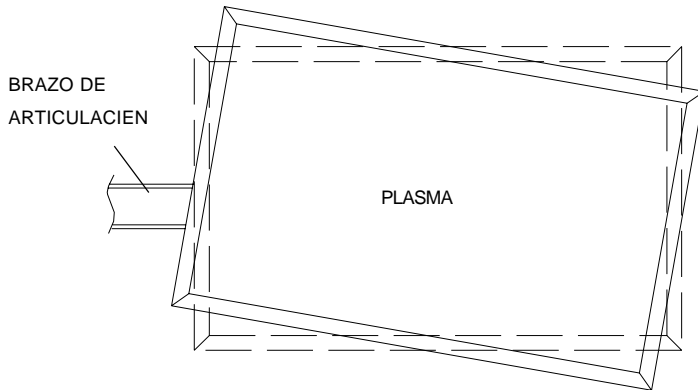
Pour retirer l'écran du support, desserrez les vis, faites pivoter l'écran hors du support et soulevez-le.

### ⚠ AVERTISSEMENT

- Pour lever et positionner le téléviseur plasma en toute sécurité, faites-vous toujours aider par une autre personne ou utilisez un dispositif de levage mécanique.



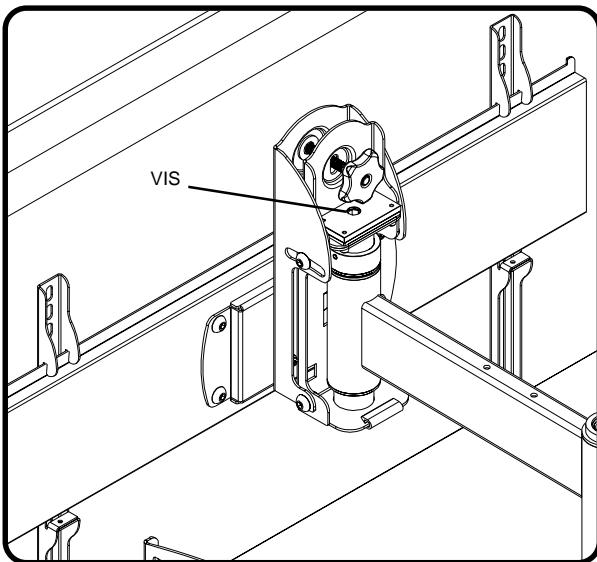
**9** Selon les dimensions et le poids de l'écran plasma, le support mural articulé peut s'incliner dans différents angles, ce qui peut donner l'impression qu'il penche de côté dans certaines positions. Le support inclinable et rotatif (**B**) permet de régler manuellement l'écran plasma afin qu'il soit à l'horizontale dans toutes les positions. Réglez l'écran plasma en le faisant doucement pivoter manuellement dans la position souhaitée.



**POUR LE MODÈLE PLAV 60 UNIQUEMENT :**

**10** La position de l'écran peut être réglée verticalement jusqu'à 0,79 po dans chaque direction de la façon suivante :

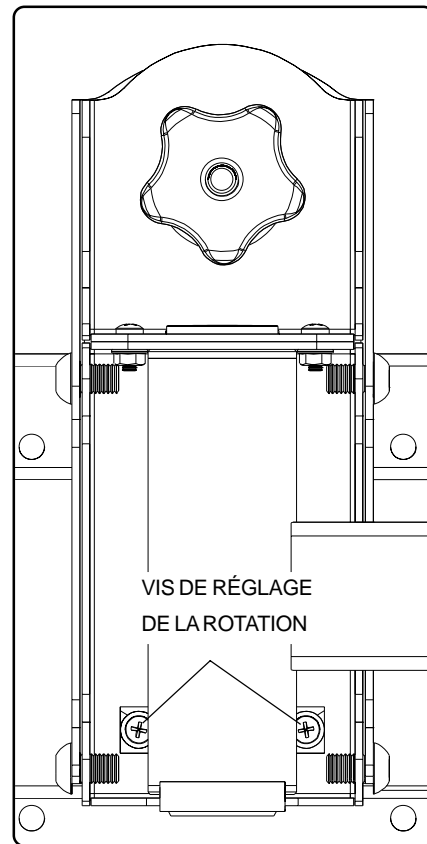
- Pour baisser l'écran, serrez la vis à tête creuse illustrée à la figure 10.1 dans le sens des aiguilles d'une montre à l'aide d'une clé hexagonale de 10 mm (**V**).
- Pour remonter l'écran, serrez la vis à tête creuse illustrée à la figure 10.1 dans le sens contraire des aiguilles d'une montre à l'aide d'une clé hexagonale de 10 mm (**V**).



**fig 10.1**

**9-1** S'il est trop difficile de régler la rotation de l'écran, desserrez les vis comme illustré à la figure 9.1 à l'aide d'un tournevis Phillips.

**IMPORTANT !** Ne pas desserrer ni serrer les vis de plus de 1/8 de tour.



**fig 9.1**

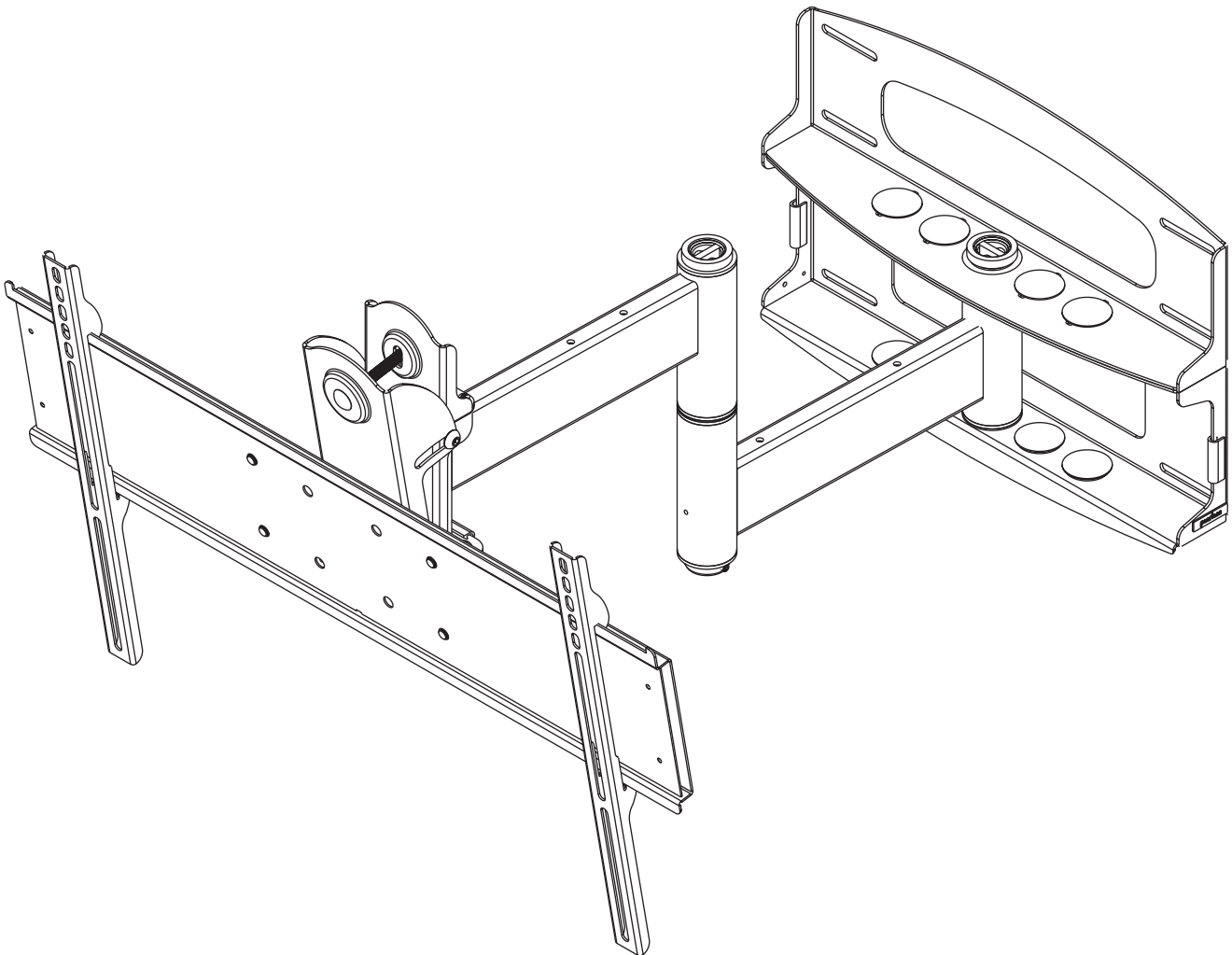
**Instalación y ensamblaje – Brazo articulador de giro universal para pantallas de plasma de 37" - 60"**

**Modelos: PLA 60-UNL, PLA 60-UNL-S, PLA 60-UNLP, PLA 60-UNLP-S, PLAV 60-UNL, PLAV 60-UNL-S, PLAV 60-UNLP, PLAV 60-UNLP-S RTPLA 60, RTPLA 60-S, RTPLA UN7, RTPLA UN7S, D-FPA-320, D-FPA-320S**



Este producto lleva la Marca UL (Underwriters Laboratories). Debe ser instalado por un instalador profesional calificado.

**Capacidad de carga máxima de UL: 175 lb (79 kg)**



## Lea la hoja de instrucciones antes de comenzar la instalación y el ensamblaje

### **⚠ ADVERTENCIA**

- No comience a instalar su producto de Peerless hasta haber leído y entendido las instrucciones y las advertencias contenidas en la Hoja de Instalación. Si tiene alguna pregunta acerca de cualquiera de las instrucciones o las advertencias, por favor, llame a Servicio al Cliente de Peerless al 1-800-729-0307.
- Este producto sólo debe ser instalado por un profesional calificado.
- Asegúrese de que la superficie de apoyo sostendrá, con seguridad, la carga combinada del equipo y todos los fijadores y componentes.
- Nunca exceda la Capacidad Máxima de Carga de UL de 175 lb (79 kg).
- No instale directamente en una pared con montantes de metal. Se requiere el uso de una placa de pared con montantes triples WSP para la instalación con montantes de metal (comuníquese con servicio al cliente). La instalación con montantes de metal no ha sido evaluada por UL.
- Siempre cuente con la ayuda de un asistente o utilice un equipo mecánico de izar para levantar y colocar el equipo con más seguridad.
- Apriete los tornillos con firmeza, pero no en exceso. Apretarlos en exceso puede dañar los artículos y puede disminuir significativamente su fuerza de fijación.

#### **¡IMPORTANTE!** Ciertos tipos de paredes requieren accesorios adicionales para la instalación...

##### **CONSTRUCCIÓN DE LA PARED**

Montantes de madera, vigas de madera

Concreto

Montant metálico

¿Tiene otra pregunta o duda?

##### **ACCESORIOS ADICIONALES NECESARIOS**

Ninguno

Ninguno

WSP716, WSP716-S, WSP724, WSP724-S

Comuníquese con Servicio al Cliente.

#### **¡IMPORTANTE!** Pase a la página adecuada para la instalación en su tipo de pared.

##### **Instalaciones:**

**En una pared con montantes de madera ..... página 32**

**En una pared de concreto ..... página 33**

## Herramientas necesarias para el ensamblaje

- localizador de montantes (se recomienda uno de "borde a borde")
- taladro
- broca de 7/32" para montantes de madera
- Broca de 5/16" para taladro de albañilería para concreto
- llave de copa 7/16" con extensión (se recomienda)
- nivel
- destornillador phillips

## Accesorios

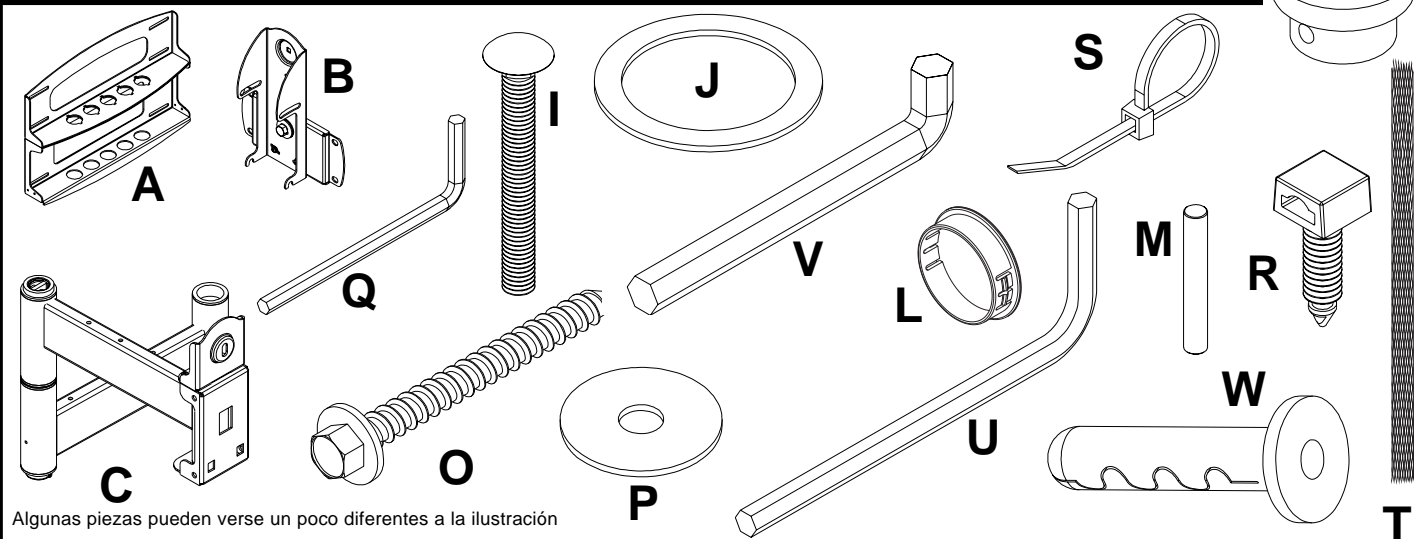
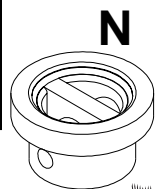
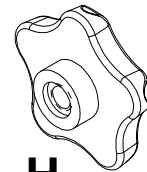
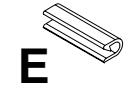
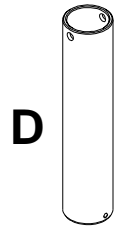
- Placa de pared externa (WSP716, WSP716-S, WSP724, WSP724-S)  
(Montante de metal no evaluado por UL).

# Lista de piezas del soporte de pared

Antes de comenzar, asegúrese de que su producto incluye todas las piezas indicadas en la lista.

|             |               |              |                |
|-------------|---------------|--------------|----------------|
| D-FPA-320   | D-FPA-320S    |              |                |
| RTPLA UN7   | RTPLA UN7S    |              |                |
| RTPLA 60    | RTPLA 60-S    |              |                |
| PLA 60-UNL  | PLA 60-UNL-S  | PLAV 60-UNL  | PLAV 60-UNL-S  |
| PLA 60-UNLP | PLA 60-UNLP-S | PLAV 60-UNLP | PLAV 60-UNLP-S |

| DESCRIPCIÓN                         | Cant. | N° de pieza | N° de pieza | N° de pieza | N° de pieza |
|-------------------------------------|-------|-------------|-------------|-------------|-------------|
| A placa de pared                    | 1     | 201-1040    | 201-4040    | 201-1040    | 201-4040    |
| B armazón de inclinación y giro     | 1     | 201-1093    | 201-4093    | 201-1048    | 201-4048    |
| C armazón del brazo                 | 1     | 201-1072    | 201-4072    | 201-1049    | 201-4049    |
| D eje del brazo de soporte de pared | 1     | 201-1041    | 201-1041    | 201-1041    | 201-1041    |
| E ribete de vinilo                  | 3     | 600-1012    | 600-1012    | 600-1012    | 600-1012    |
| F tornillo de rosca M10 x 15 mm     | 8     | 520-9262    | 520-9262    | 520-9262    | 520-9262    |
| G arandela de nilón .505 x .062"    | 1     | 540-1074    | 540-1074    | 540-1074    | 540-1074    |
| H perilla ajuste de la inclinación  | 1     | 560-0108    | 560-0108    | 560-0108    | 560-0108    |
| I perno cabeza 3/8"-16 x 3.25"      | 1     | 520-1315    | 520-1315    | 520-1315    | 520-1315    |
| J arandela delrin de 1.525 x .062"  | 2     | 540-1070    | 540-1070    | 540-1070    | 540-1070    |
| K tornillo hueca 8 x -32 x 0.375"   | 1     | 520-1210    | 520-1210    | 520-1210    | 520-1210    |
| L cubierta plástica de acabado      | 8     | 590-1123    | 590-1123    | 590-1123    | 590-1123    |
| M pasador de sujeción               | 1     | 580-1166    | 580-1166    | 580-1166    | 580-1166    |
| N tapón retenedor                   | 1     | 590-1007    | 590-1007    | 590-1007    | 590-1007    |
| O tornillo de madera 5 x 3"         | 8     | 520-1243    | 520-1243    | 520-1243    | 520-1243    |
| P arandela de 250 x 1 x .068"       | 8     | 540-1063    | 540-1063    | 540-1063    | 540-1063    |
| Q llave allen de 9/64               | 1     | 560-9728    | 560-9728    | 560-9728    | 560-9728    |
| R clips de sujeción de cables       | 4     | 590-1166    | 590-1166    | 590-1166    | 590-1166    |
| S sujetacables                      | 4     | 590-1168    | 590-1168    | 590-1168    | 590-1168    |
| T funda de malla de poliéster 36"   | 1     | 600-1015    | 600-1015    | 600-1015    | 600-1015    |
| U llave allen de 6 mm               | 1     | 560-9716    | 560-9716    | 560-9716    | 560-9716    |
| V llave allen de 10 mm              | 1     | n/a         | n/a         | 560-9727    | 560-9727    |
| W anclaje                           | 8     | 590-1025    | 590-1025    | 590-1025    | 590-1025    |



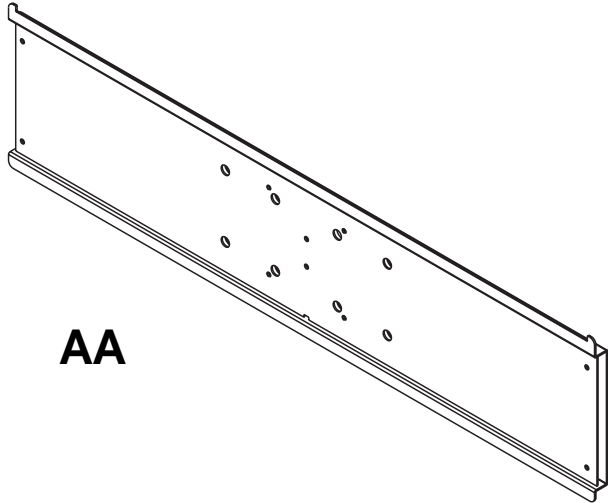
Algunas piezas pueden verse un poco diferentes a la ilustración

D-FPA-320  
RTPLA UN7  
RTPLA 60  
PLA 60-UNLP  
PLAV 60-UNLP

D-FPA-320S  
RTPLA UN7S  
RTPLA 60-S  
PLA 60-UNLP-S  
PLAV 60-UNLP-S

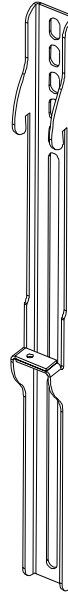
Antes de comenzar, asegúrese de que su producto contiene todas las partes que se muestran

| Descripción                                      | Cant. | PLA 60-UNL  | PLA 60-UNL-S  | PLA 60-UNLP  | D-FPA-320  |
|--|-------|-------------|---------------|--------------|------------|
|  |       | PLAV 60-UNL | PLAV 60-UNL-S | PLAV 60-UNLP | D-FPA-320S |
|  |       | Nº de pieza | Nº de pieza   | Nº de pieza  | Part #     |
| <b>AA</b> soporte adaptador                      | 1     | 201-1110    | 201-4110      | 201-1110     | 201-4110   |
| <b>BB</b> soporte adaptador de poca profundidad  | 2     | 200-0756    | 200-0757      | 200-0754     | 200-0755   |
| <b>CC</b> soporte adaptador de mucha profundidad | 2     | 200-0752    | 200-0753      | 200-0750     | 200-0751   |
| <b>DD</b> llave allen                            | 1     | 560-9646    | 560-9646      | 560-0072     | 560-0072   |

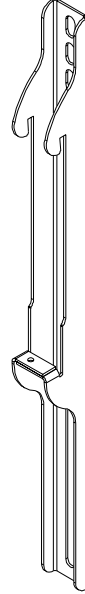


**AA**

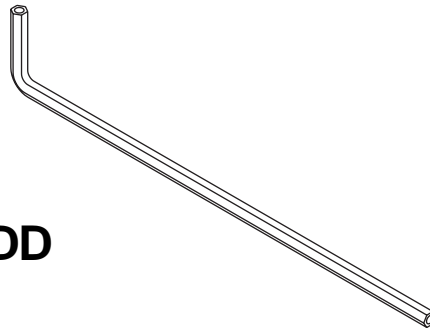
**BB**



**CC**



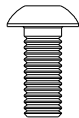
**DD**



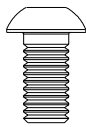
## Fijaciones de seguridad para los soportes adaptadores



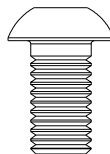
M4 x 12 mm (6)  
510-1079



M5 x 12 mm (4)  
520-1064



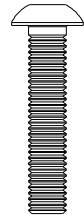
M6 x 12 mm (4)  
520-1050



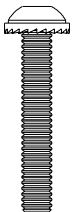
M8 x 15 mm (6)  
520-1068



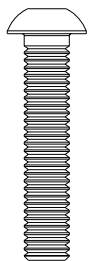
M6 x 20 mm (4)  
520-9554



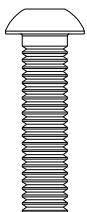
M5 x 25 mm (4)  
520-1122



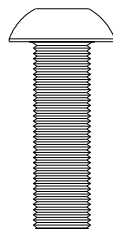
M4 x 25 mm (4)  
510-1082



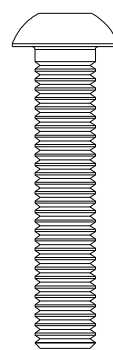
M6 x 30 mm (4)  
520-1067



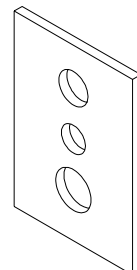
M6 x 25 mm (4)  
520-1211



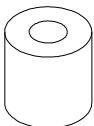
M8 x 25 mm (4)  
520-1101



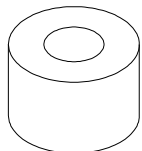
M8 x 40 mm (4)  
520-1152



arandela múltiple  
(6)  
580-1036

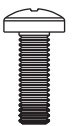


I.D. 5.6 mm (4)  
540-1057

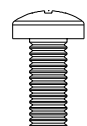


I.D. 8.7 mm (4)  
540-1059

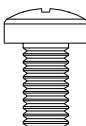
## Fijaciones Phillips para los soportes adaptadores



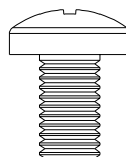
M4 x 12 mm (6)  
504-9013



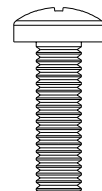
M5 x 12 mm (4)  
520-1027



M6 x 12 mm (4)  
520-1128



M8 x 16 mm (6)  
520-9257



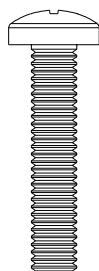
M6 x 20 mm (4)  
520-9402



M5 x 25 mm (4)  
520-9543



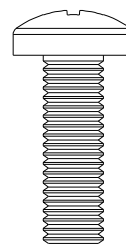
M4 x 25 mm (4)  
504-1015



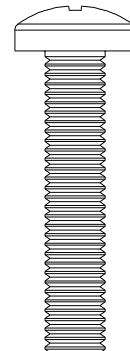
M6 x 30 mm (4)  
510-9109



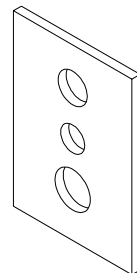
M6 x 25 mm (4)  
520-1208



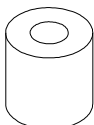
M8 x 25 mm (4)  
520-1031



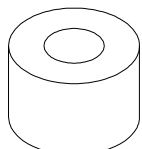
M8 x 40 mm (4)  
520-1136



arandela múltiple  
(6)  
580-1036



I.D. 5.6 mm (4)  
540-1057



I.D. 8.7 mm (4)  
540-1059

## Instalación en una pared con montantes de madera

### ⚠ ADVERTENCIA

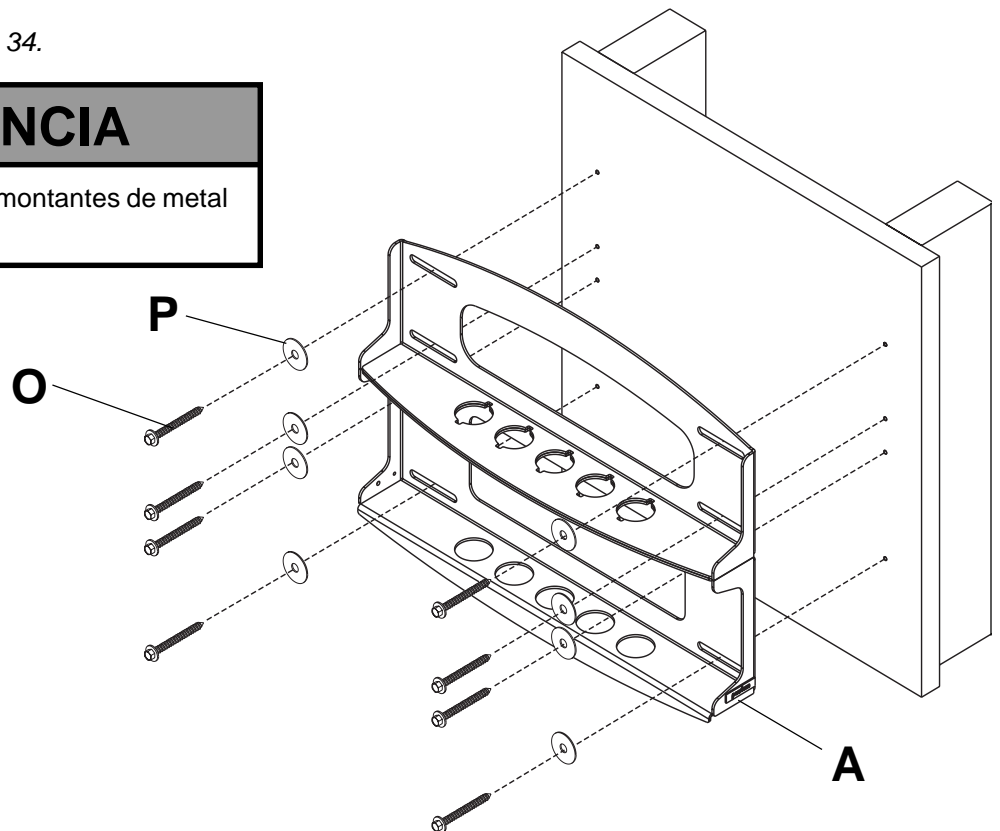
- El instalador tiene que asegurarse de que la superficie de apoyo sostendrá, con seguridad, la carga combinada del equipo y todos los fijadores y componentes.
- Apriete los tornillos de manera que la placa de pared se fije firmemente, pero no en exceso. Apretarlos en exceso puede dañar los tornillos y puede disminuir significativamente su fuerza de fijación.
- Nunca apriete a más de 80 pulg-lb (9 N•m).
- No instale directamente en una pared con montantes de metal. Se requiere el uso de una placa de pared con montantes triples WSP para la instalación con montantes de metal (comuníquese con servicio al cliente). La instalación con montantes de metal no ha sido evaluada por UL.
- Asegúrese de que los tornillos de montaje estén anclados en el centro del montante. Se recomienda utilizar un localizador de montantes de "borde a borde".
- Los accesorios para la instalación que se proveen son para fijar el soporte a montantes de madera a través de tabique de yeso-cartón o yeso de espesor estándar. Los instaladores son responsables de suministrar los accesorios necesarios para otros tipos de instalaciones.
- Nunca exceda la Capacidad Máxima de Carga de UL de 175 lb (79 kg).

- 1 La placa de pared (**A**) se puede instalar en dos montantes que tengan una separación de 16". Utilice un localizador de montantes para ubicar los bordes de los montantes. Se recomienda utilizar un localizador de montantes de "borde a borde". Tomando los bordes como punto de referencia, trace una línea vertical por el centro de cada montante. Coloque la placa de pared contra la pared para utilizarla como plantilla. Las ranuras superiores de montaje deben estar ubicadas a .36" sobre el punto donde quiere que quede el centro de la pantalla en el caso de los modelos PLA 60-UNL, PLA 60-UNL-S, PLA 60-UNLP, RTPLA 60, PLA 60-UNLP-S, RTPLA 60-S, RTPLA UN7, RTPLA UN7S, D-FPA-320, y D-FPA-320S .43" bajo el punto donde quiere que quede el centro de la pantalla en el caso de los modelos PLAV 60-UNL, PLAV 60-UNL-S, PLAV 60-UNLP, PLAV 60-UNLP-S RTPLA UN7, RTPLA UN7S, D-FPA-350, y D-FPA-350S. Nivela la placa y marque el centro de los ocho agujeros de montaje. Asegúrese de que los agujeros de montaje estén sobre las líneas que trazó por el centro de los montantes. Taladre ocho agujeros de 7/32" de diámetro y 3" de profundidad. Asegúrese de que la placa esté nivelada, fíjela usando ocho tornillos para madera de 5/16 x 3" (**O**) y las arandelas (**P**).

Proceda al paso 2 en la página 34.

### ⚠ ADVERTENCIA

- Nunca instale este producto con montantes de metal sin el accesorio necesario.





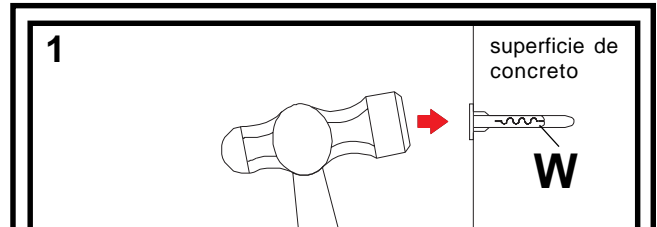
## Instalación en una pared de concreto

### ⚠ ADVERTENCIA

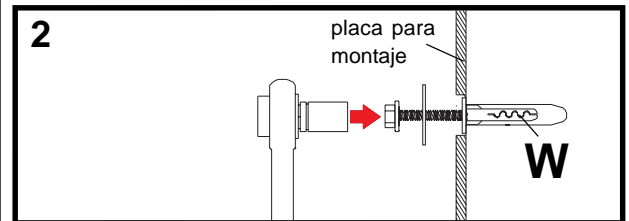
- El concreto tiene que tener una densidad mínima de 2,000 psi. Es posible que un concreto de menos densidad no sostenga los anclajes para concreto.
- Asegúrese de que la superficie de apoyo sostendrá, con seguridad, la carga combinada del equipo y todos los fijadores y componentes.
- Nunca exceda la Capacidad Máxima de Carga de UL de 175 lb (79 kg).
- Nunca instale este producto en montantes de metal.

**¡IMPORTANTE! El concreto tiene que tener una densidad mínima de 2,000 psi.**

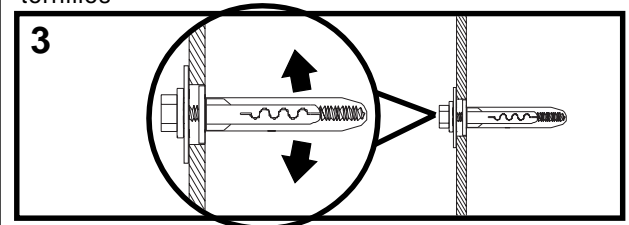
- 1** Utilice la placa de pared (A), asegurándose de que esté nivelada, como plantilla para marcar los agujeros. Las ranuras superiores de montaje deben estar ubicadas a .36" sobre el punto donde quiere que quede el centro de la pantalla en el caso de los modelos PLA 60-UNL, PLA 60-UNL-S, PLA 60-UNLP, RTPLA 60, PLA 60-UNLP-S y RTPLA 60-S y .43" bajo el punto donde quiere que quede el centro de la pantalla en el caso de los modelos PLAV 60-UNL, PLAV 60-UNL-S, RTPLA-UN7, RTPLA-UN7S, D-FPA-320, D-FPA-320S, PLAV 60-UNLP y PLAV 60-UNLP-S. Utilice el pedacito de la albañilería para perforar 5/16" (8 milímetros) diámetro agujeros a una profundidad mínima de 3" (76 milímetros). Inserte los anclajes (W) en los agujeros a ras con la pared, como se muestra (a la derecha). Coloque la placa de pared (A) sobre los anclajes (W) y fijela con los tornillos para madera de 5/16 x 3" (O) y las arandelas (P).



Taladre los agujeros en la pared e inserte los anclajes



Coloque la placa sobre los anclajes y fijela con los tornillos



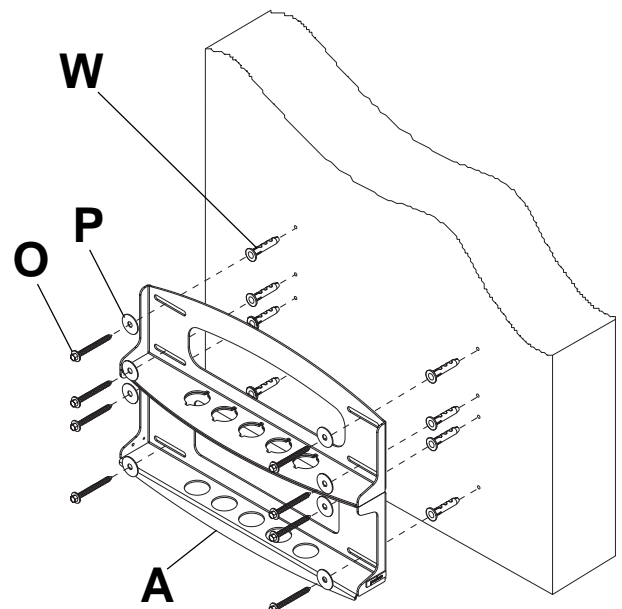
Apriete todas las fijaciones

### ⚠ ADVERTENCIA

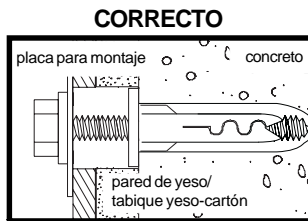
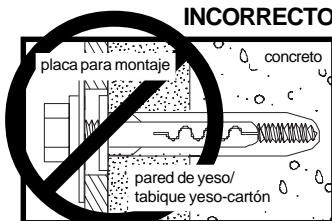
- Apriete los tornillos de manera que la placa de pared se fije firmemente, pero no en exceso. Apretarlos en exceso puede dañar los tornillos y puede disminuir significativamente su fuerza de fijación.
- Nunca apriete a más de 80 pulg-lb (9 N•m).

### ⚠ ADVERTENCIA

- Siempre fije los anclajes de expansión para concreto directamente en la pared que sostiene la carga.
- Nunca fije los anclajes de expansión para concreto en una pared de concreto recubierta con yeso, tabique de yeso-cartón u otro material de acabado. Si es inevitable hacer la instalación en una superficie de yeso recubierta con una superficie de acabado, la superficie de acabado tiene que ser escariada, como se muestra abajo. Si el grosor de la pared de yeso o tabique de yeso-cartón tiene un grosor mayor de 5/8", el instalador tiene que suministrar las fijaciones especiales. (No evaluadas por UL).



VISTA EN CORTE



# ⚠ ADVERTENCIA

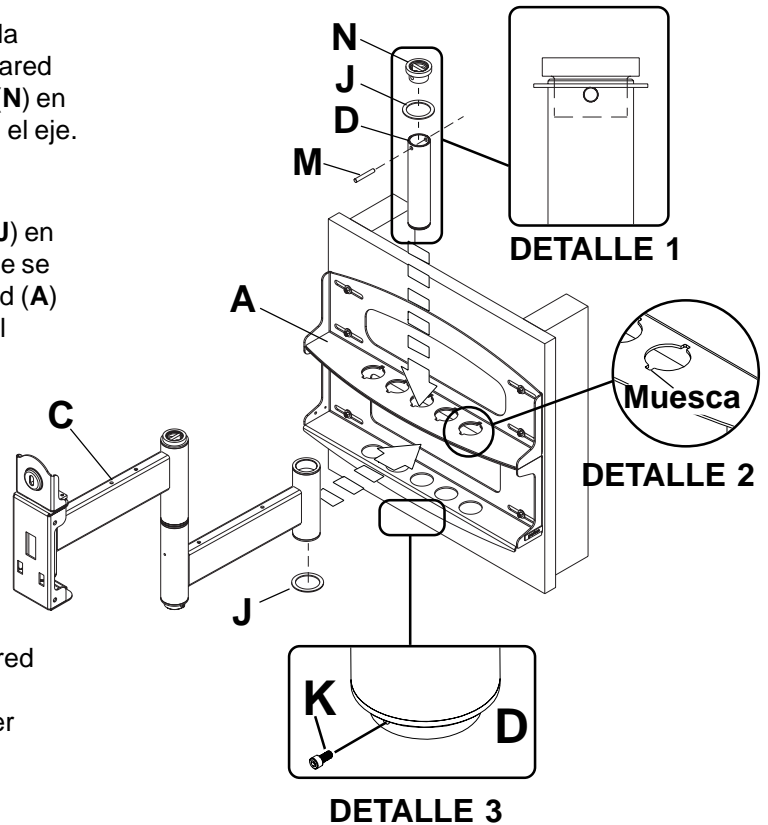
- Si no está seguro de que el producto esté bien instalado, llame a Servicio al Cliente.

**2** **Nota: Hay cinco posiciones de instalación. Se muestra la posición central (derecha).** Deslice la arandela (J) sobre el eje del brazo del soporte de pared (D). Luego inserte la cubierta plástica de acabado (N) en el eje. Luego inserte el pasador de sujeción (M) en el eje. Vea el detalle 1.

**2-1** Coloque el armazón del brazo (C) con la arandela (J) en la placa de pared (A). Inserte el armazón del eje que se muestra en el detalle 1 a través de la placa de pared (A) y la arandela (J). Fije el eje en su lugar alineando el pasador de sujeción (M) con las muescas, que se muestran en el detalle 2.

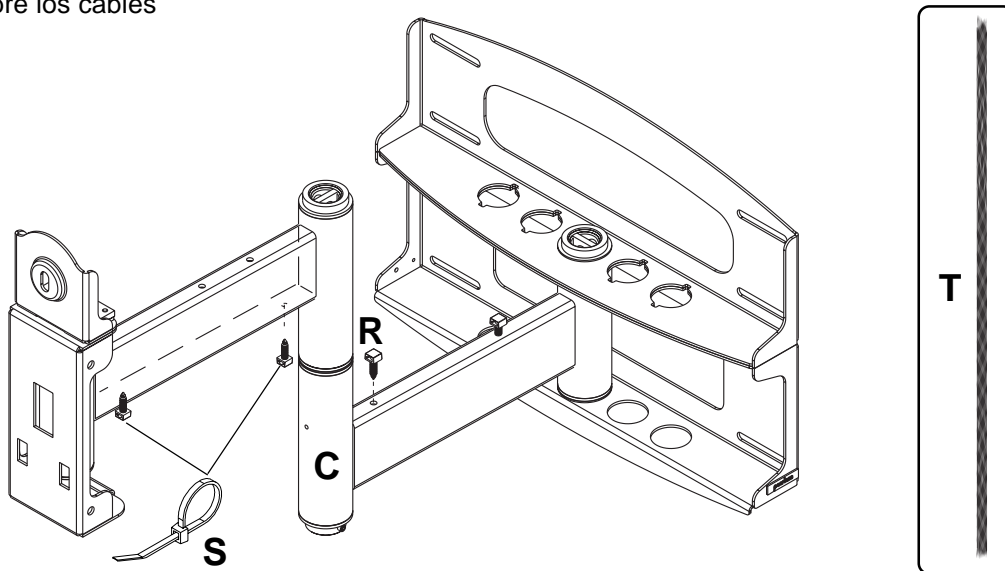
**2-2** Inserte el tornillo de cabeza hueca (K) en el agujero de la parte interior del eje del brazo del soporte de pared (D), como se muestra en el detalle 3. Apriete el tornillo usando una llave allen de 9/64" (Q).

**Nota:** El eje (D) quedará apretado en la placa de pared (A) y en el armazón del brazo (C). Déle golpecitos suaves con un martillo para llevarlo a su lugar, de ser necesario.



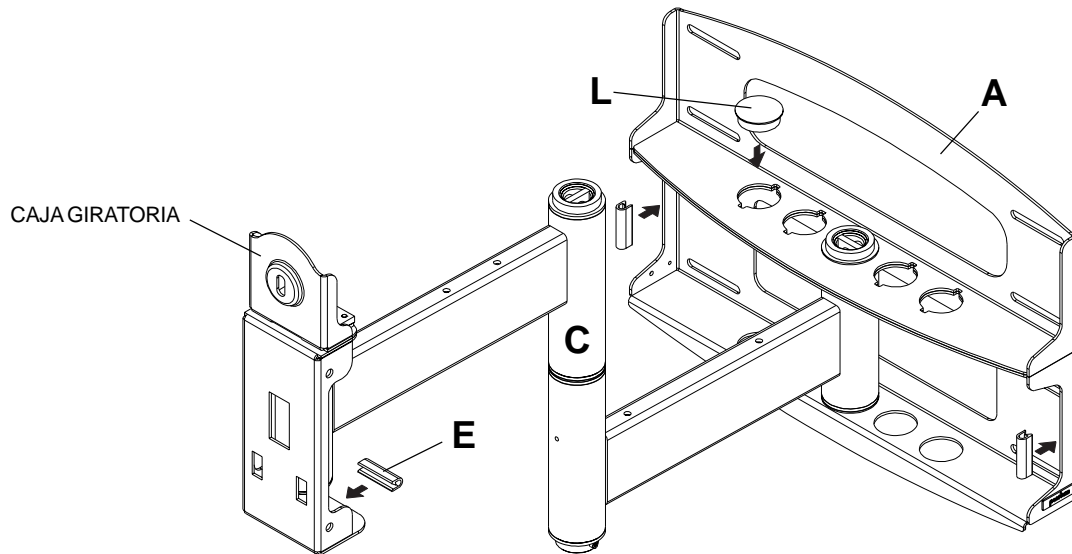
**3** Inserte, a presión, cuatro clips de sujeción de cables (R) en la parte superior o en la parte inferior del armazón del brazo (C), como se muestra. Los sujetacables (S) se usan con los clips para recoger los cordones.

**3-1** Deslice una funda de malla (T) sobre cada cable. Use los sujetacables (S) para apretar la funda de malla que cubre los cables



**4** Adhiera dos pedazos del ribete de vinilo (**E**) a la placa de pared (**A**). Luego adhiera un pedazo del ribete de vinilo a la parte inferior de la caja giratoria del armazón del brazo (**C**).

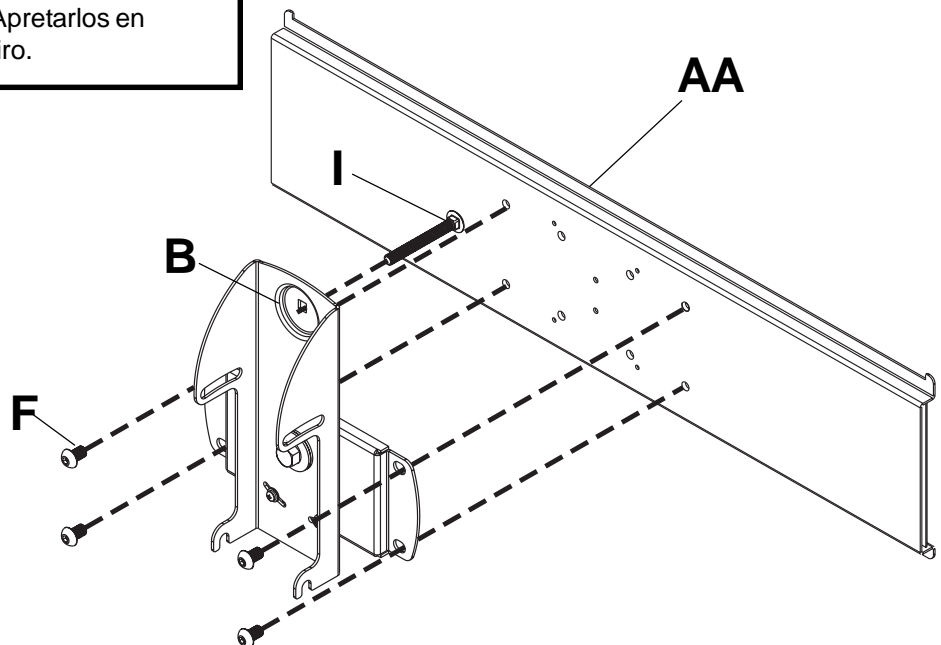
**4-1** Inserte una capa plástica de acabado (**L**) en cada agujero que no haya utilizado de la placa de pared (**A**).



**5** Inserte y adhiera, con un pedazo de cinta adhesiva, el perno de cabeza redonda (**I**) al armazón de inclinación y giro (**B**). Fije el armazón de inclinación y giro en el soporte adaptador (**AA**) con cuatro tornillos de cabeza hueca M10 (**F**). Apriete los tornillos usando una llave allen de 6 mm (**U**).

## ATENCIÓN

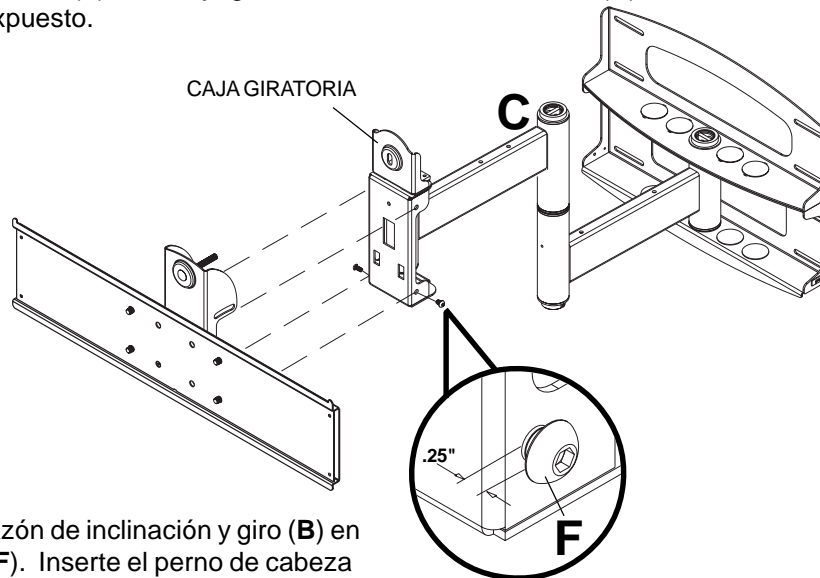
- ¡No apriete los tornillos en exceso! Apretarlos en exceso puede limitar la opción de giro.



## ⚠ ADVERTENCIA

- Cuente con un asistente o con un equipo mecánico de izar para levantar y colocar el televisor de plasma con más seguridad.

- 6** Inserte dos tornillos M10 (F) en la caja giratoria del armazón del brazo (C), como se muestra. Deje aproximadamente 1/4" de la rosca expuesto.

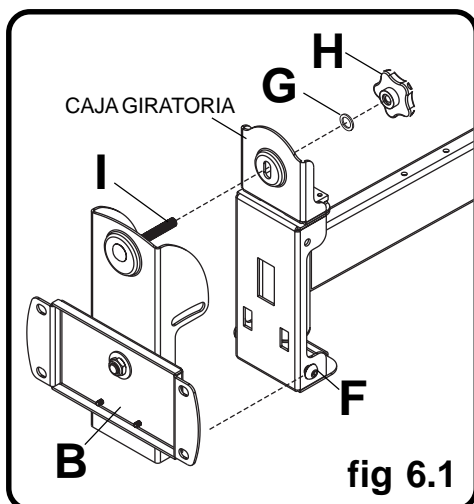


- 6-1** Enganche el armazón de inclinación y giro (B) en los tornillos M10 (F). Inserte el perno de cabeza redonda (I) en la ranura de la caja giratoria, como se muestra en la ilustración 6.1. Instale la arandela de nilón (G) y la perilla de ajuste de la inclinación (H).

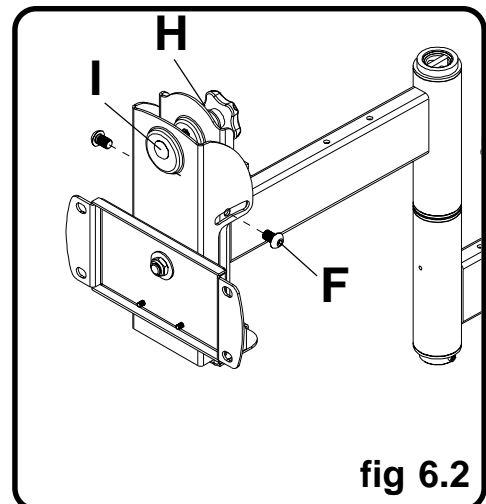
- 6-2** Instale los dos tornillos M10 (F) que quedan, como se muestra en la ilustración 6.2. APRIETE A MANO los cuatro tornillos M10 para poder ajustar la inclinación. Quite la cinta adhesiva del perno de cabeza redonda (I). Para ajustar la inclinación, empuje la parte superior de la pantalla de plasma para disminuir la presión sobre la perilla. Ajuste la inclinación a la posición deseada y apriete la perilla de ajuste de la inclinación (H) y luego apriete firmemente los cuatro tornillos M10 (F) usando una llave allen de 6 mm (U).

## ATENCIÓN

- Después de ajustar la inclinación, tiene que apretar todas las fijaciones. Si no lo hace, el resultado será que le causará daño al soporte.



El soporte adaptador no se muestra para propósitos aclaratorios.



El soporte adaptador no se muestra para propósitos aclaratorios.

# 7

## Instalación de los soportes adaptadores

Refiérase a la **Tabla de compatibilidad de las pantallas** para determinar cuáles son las fijaciones adecuadas para usarse.

Para no rayar la pantalla, coloque un trapo sobre una superficie plana y nivelada que sostenga el peso de la pantalla. Coloque la pantalla boca abajo. Si la pantalla tiene perillas en la parte trasera, quíteselas para poder fijar los soportes adaptadores. Coloque los soportes adaptadores (**BB** o **CC**) en la parte trasera de la pantalla, alinéelos con los agujeros y centralícelos en la parte trasera de la pantalla, como se muestra en la ilustración 7.1. Fije los soportes adaptadores en la parte trasera de la pantalla utilizando la combinación adecuada de tornillos, arandelas múltiples y espaciadores, como se muestra en la ilustración 7.3.

**Nota:** Siempre se tienen que usar los agujeros superiores y los inferiores.

Verifique que todos los agujeros estén debidamente alineados y luego apriete los tornillos usando un destornillador phillips.

**Nota:** Si va a utilizar tornillos de seguridad, apriételes usando una llave allen de seguridad (**DD**).

### ⚠ ADVERTENCIA

- Apriete los tornillos de manera que los soportes adaptadores se fijen con firmeza. No los apriete con fuerza excesiva. Apretar los tornillos en exceso puede causarles daño por forzarlos, y puede disminuir significativamente su fuerza de fijación y podría causar el desprendimiento de las cabezas de los tornillos. Apriete los tornillos a un máximo de 40 pulg-lb (4.5 N•m) de par torsor.

**Notas:**

- El número de fijaciones que se utilizará variará, dependiendo del tipo de pantalla.
- Es posible que no necesite las arandelas múltiples y los espaciadores, dependiendo del tipo de pantalla.
- Utilice el agujero correspondiente de la arandela múltiple que sea del mismo tamaño del tornillo, como se muestra en la ilustración 7.2.

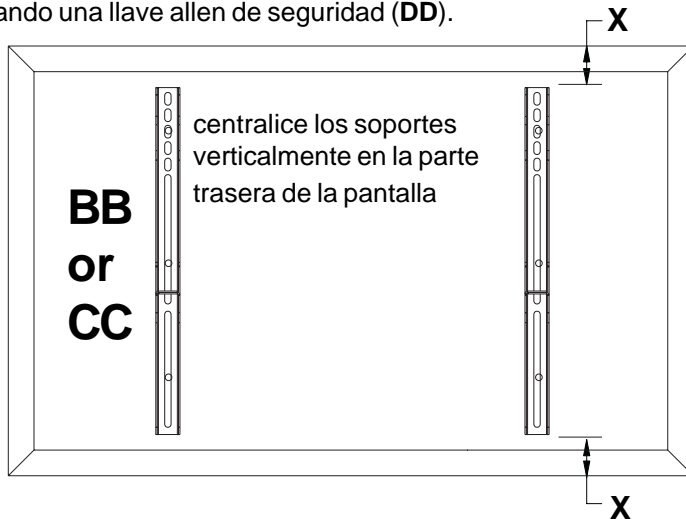
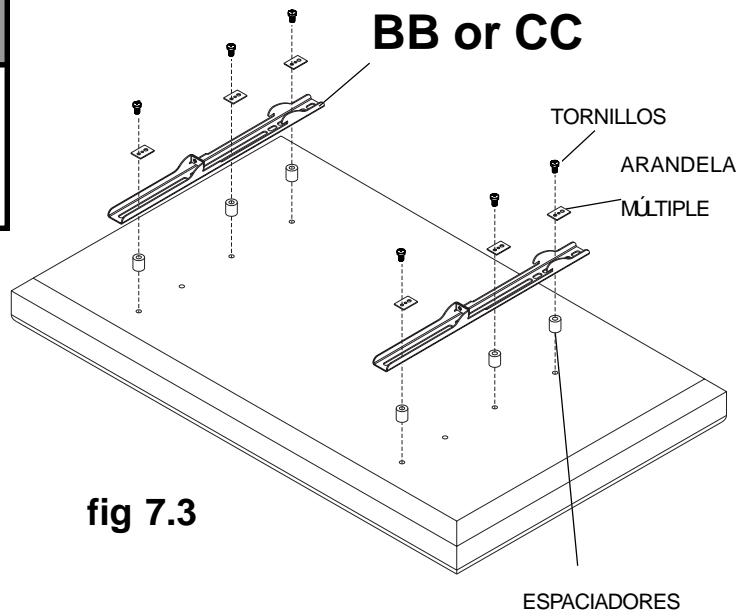
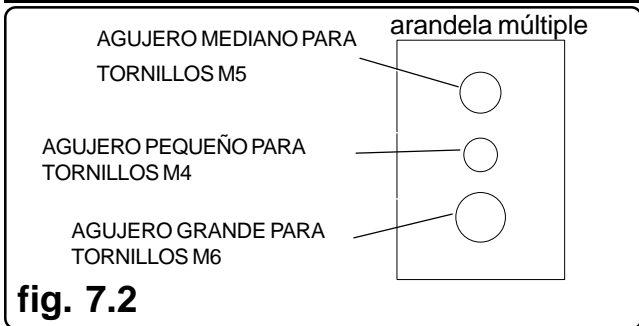


fig 7.1

**Nota:** Las dimensiones "X" deben ser iguales.

### ⚠ ADVERTENCIA

- Si no se les da tres vueltas completas a los tornillos en los insertos de la pantalla o si los tornillos topan fondo y la placa todavía no está firme, se podría dañar la pantalla o el producto podría no funcionar bien.



## Instalación y desinstalación de la pantalla plana

8 Refiérase a la hoja de instrucciones del soporte para saber cómo fijar el soporte adaptador.

Enganche los soportes adaptadores (**BB** o **CC**) a la placa de pared (**AA**) y luego gire la pantalla lentamente hacia dentro, como se muestra. Déles, por lo menos seis vueltas a los tornillos en el sentido del movimiento de las manecillas del reloj para evitar que se pueda quitar la pantalla, como se muestra en el detalle 4. Apriete los tornillos usando una llave allen (**DD**).

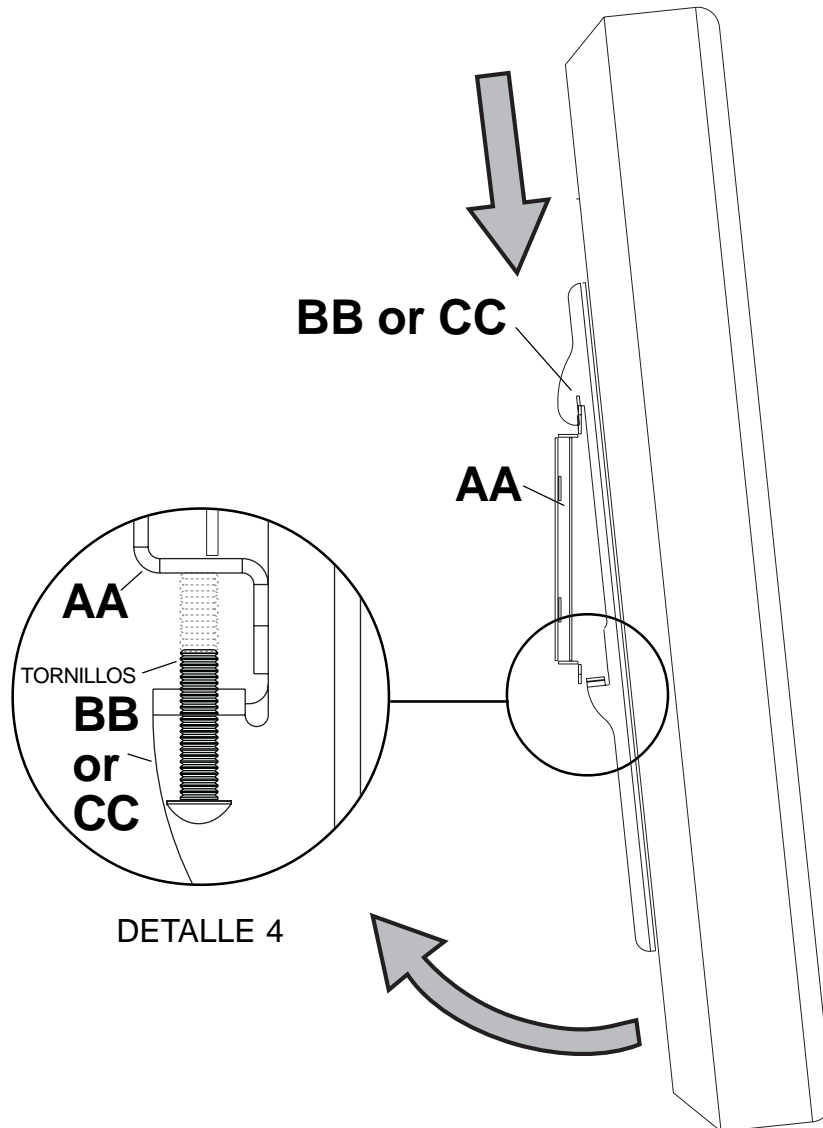
La pantalla se puede ajustar horizontalmente si lo desea.

**Nota:** Para trabar la pantalla, apriete los tornillos de seguridad al soporte adaptador, como se muestra en el detalle 4.

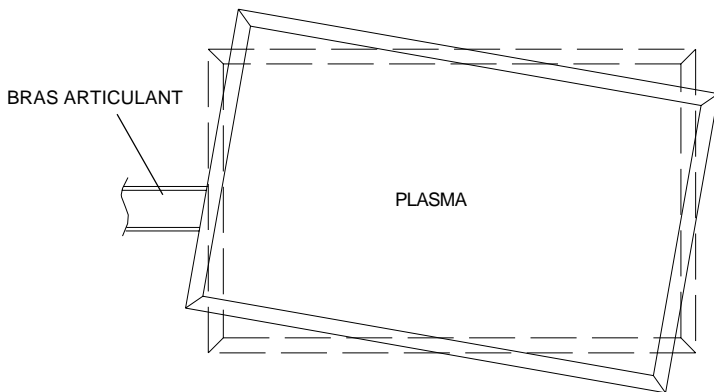
Para quitar la pantalla del soporte, afloje los tornillos, gire la pantalla retirándola del soporte y levántela para sacarla del soporte.

### ⚠ ADVERTENCIA

- Siempre cuente con un asistente o con un equipo mecánico de izar para levantar y colocar el televisor de plasma con más seguridad.

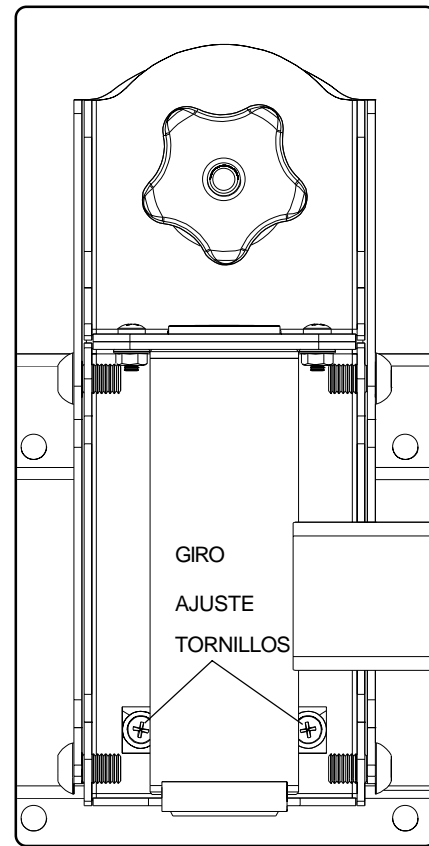


**9** Dependiendo del modelo y el peso específicos de la pantalla de plasma, el ángulo del brazo articulador de giro se puede ajustar a diferentes posiciones, lo cual puede causar que parezca que la pantalla de plasma se inclina hacia uno de los lados en las diferentes posiciones. El armazón de inclinación y giro (**B**) le permite ajustar la pantalla de plasma manualmente, de manera que la pantalla se pueda mantener horizontal en todas las posiciones. Para ajustarla, gire la pantalla de plasma suavemente hasta la posición deseada.



**9-1** Si se hace difícil girar la pantalla de plasma, afloje los tornillos que se muestran en la ilustración 9.1 usando un destornillador phillips.

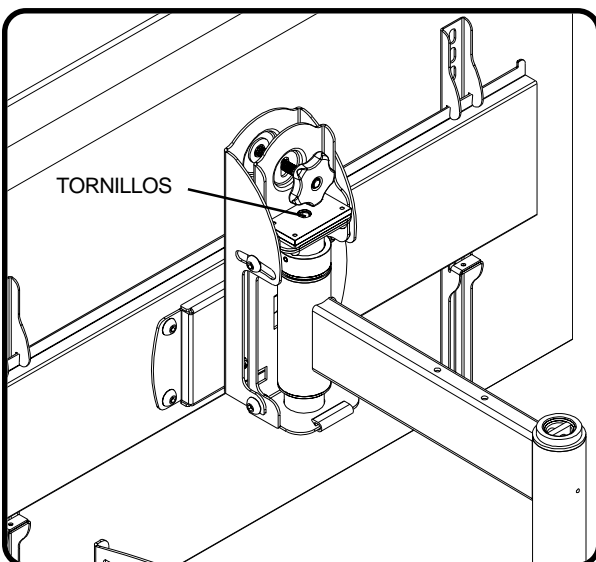
**¡IMPORTANTE!** No afloje ni apriete los tornillos más de 1/8 de vuelta.



**fig 9.1**

**10 SÓLO PARA EL MODELO PLAV 60:**  
La posición de la pantalla se puede ajustar verticalmente hasta .79" en cada dirección haciendo lo siguiente:

- Para bajar la pantalla, gire el tornillo de cabeza hueca que se muestra en la ilustración 10.1 en el sentido del movimiento de las manecillas del reloj con la llave allen de 10 mm (**V**).
- Para subir la pantalla, gire el tornillo de cabeza hueca que se muestra en la ilustración 10.1 en el sentido opuesto al movimiento de las manecillas del reloj con la llave allen de 10 mm (**V**).



**fig 10.1**