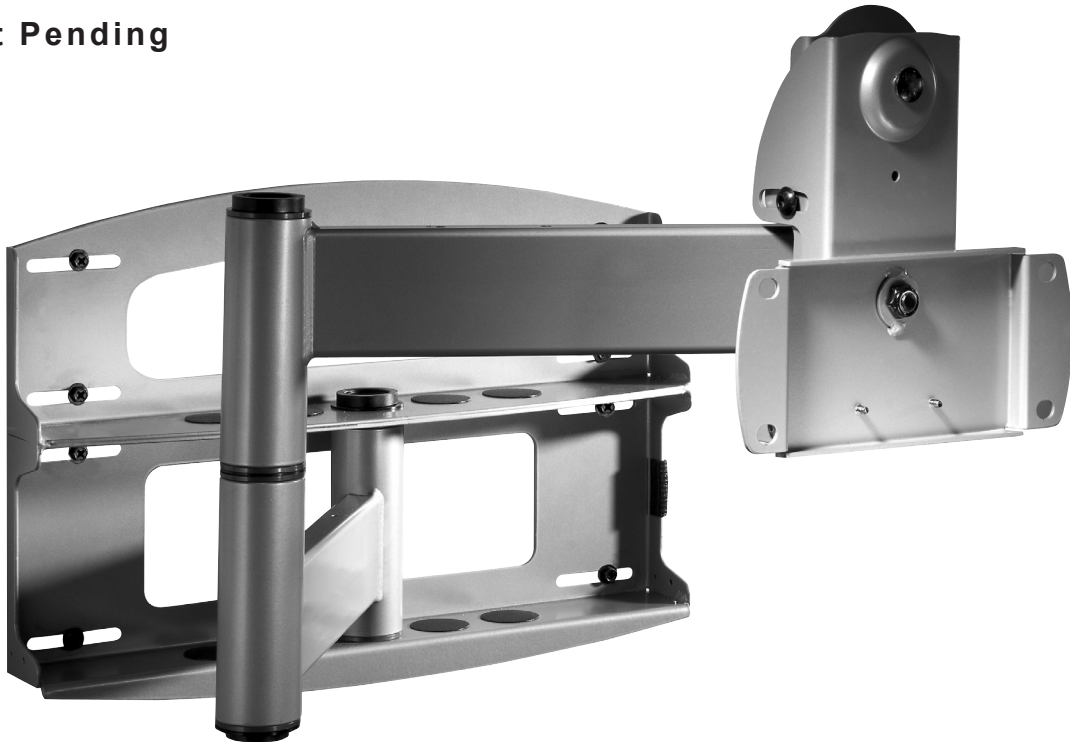


Articulating Arm with Vertical Adjustment

For 37" to 60" Plasma & LCD Flat Panel Screens

New!

Patent Pending



Designed for easy installation even in hard to access areas like custom frames and recessed cubby holes, the PLAV60 includes a vertical adjustment feature located within reach behind the screen that enables you to adjust the screen position up to an inch up or down for perfect placement. Swing, tilt and extend your plasma or LCD screen with ease thanks to self-lubricating bushings at every pivot joint. The PLAV60's adjustable tilt and pivot allow you to position your screen for the optimal viewing angle, making it a great articulating arm, as well as ideal installation tool.

- For 37" to 60" plasma and LCD screens
- New look and functionality
- Roll feature allows for easy screen leveling
- Folds flat against the wall
- Cord management keeps cords organized and out of sight
- Comes in black or silver

PLAV60



Articulating Arm with Vertical Adjustment

For 37" to 60" Plasma & LCD Flat Panel Screens

Model Numbers

PLAV60, PLAV60-S (base models)
 PLAV60-UNL, PLAV60-UNL-S (universal security models)
 PLAV60-UNLP, PLAV60-UNLP-S (universal standard models)



Product Specifications

- +/-1" vertical adjustment located within reach behind screen
- +10°/-5° tilt
- Up to 180° pivot
- +/-7° roll to level screen horizontally at any position
- Extends out to 31.2", retracts to 4.5" (plus thickness of required adapter plate)
- Mounts to two wood studs or concrete (accessory required)
- Universal models adapt to screens with up to 28.7" wide x 17" high mounting inserts

FEATURES

LOAD CAPACITY

175 lb (79.4 kg)

DIMENSIONS (W x H x D)

	Closed	Extended
PLAV60:	24.6" x 21.7" x 4.5" (62.5 x 55 x 11.4 cm)	20.3" x 21.7" x 31.2" (51.6 x 55 x 79.2 cm)
PLAV60-UNL(P):	30.75" x 21.7" x 5.6" (78 x 55 x 14.2 cm)	30.75" x 21.7" x 32.4" (78.1 x 55 x 77.5 cm)

PRODUCT WEIGHT

PLAV60:	32.1 lb (14.6 kg)
PLAV60-UNL(P):	44.7 lb (20.3 kg)

FINISH

Scratch resistant fused epoxy

CONSTRUCTION

All steel

AVAILABLE COLORS

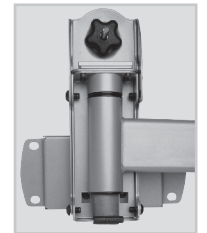
Black: PLAV60, PLAV60-UNL(P)
 Silver: PLAV60-S, PLAV60-UNL(P)-S

ACCESSORIES

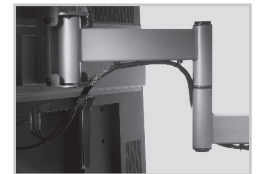
Multi-channel speaker mount (MSA-101)
 Wire management channel (ACC924/ACC926)
 PLP model adapter plates
 Concrete fasteners (2 x ACC204)

PATENT

Patent Pending



Vertical adjustment



Cord management

Package Specifications

PLAV60: Articulating arm, wall plate, mesh cord sheath, cable ties and mounting hardware
 PLAV60-UNL(P): Articulating arm, wall plate, mesh cord sheath, cable ties, universal adapter plate, mounting and screen attachment hardware

PACKAGE SIZE (L X W X H)

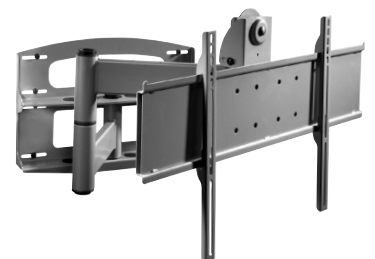
PLAV60:	23.1" x 17.1" x 7.4" (58.9 x 43.4 x 18.8 cm)
PLAV60-UNL(P):	31.5" x 17.1" x 9.1" (80 x 43.4 x 23.1 cm)

PACKAGE SHIP WEIGHT

PLAV60(-S):	36.4 lb (16.5 kg)
PLAV60-UNL(P)(-S):	50.6 lb (23 kg)

PACKAGE UPC CODE

PLAV60:	735029243212
PLAV60-S:	735029244776
PLAV60-UNL:	735029243311
PLAV60-UNL-S:	735029243328
PLAV60-UNLP:	735029243335
PLAV60-UNLP-S:	735029243342



Universal model includes universal adapter plate

(800) 865-2112
 www.peerlessmounts.com

Peerless Industries, Inc.
 3215 W. North Avenue, Melrose Park, IL 60160
 (708) 865-8870 or (800) 865-2112 Fax: (708) 865-2941 www.peerlessmounts.com

© 2006 Peerless Industries, Inc. All rights reserved.
 Peerless is a registered trademark of Peerless Industries, Inc.
 All other brands, product names and taglines are trademarks or registered trademarks of their respective owners.



LIT-0150