

# TECHNICAL DATA SHEET - Straight Column Flat Panel Ceiling Mount for 32" to 60" LCD And Plasma Screens



MODEL: PLCM UN1



## PLCM UN1

The Straight Column Ceiling Mount offers a straight column from the ceiling attachment point to the flat panel screen. The straight column ceiling mount is ideal for sports facilities, airports, lobbies or retail environments.

### Features:

- Includes a PLP-UN1 adapter plate (portrait or landscape)
- 0° to 20° adjustable tilt and 360° swivel
- Screen mounts vertically or horizontally
- Uses standard 1 1/2" – 11.5 NPT schedule 40 pipe
- Additional length can be added for lowering
- Theft-resistant security fasteners secure the screen to the mount
- Sold without ceiling plate
- Complete detailed installation instructions for wood and concrete structures

### Accessories:

- Ceiling Plate required (sold separately). Various options available. Other ceiling accessories can be ordered separately to allow mounting to I-beams, cathedral ceilings, trusses, etc.

### Dimensions:

#### Weight:

20.2 lb (9.2 kg)

#### Shipping weight:

27.4 lb (12.4 kg)

#### Maximum Load Capacity:

125 lb (56.7 kg)

#### Shipping Carton dimensions:

##### BOX1

L = 36.75 in (933 mm)

W = 11.5 in (292 mm)

H = 3.75 in (95 mm)

Weight = 16 lb (7.25 kg)

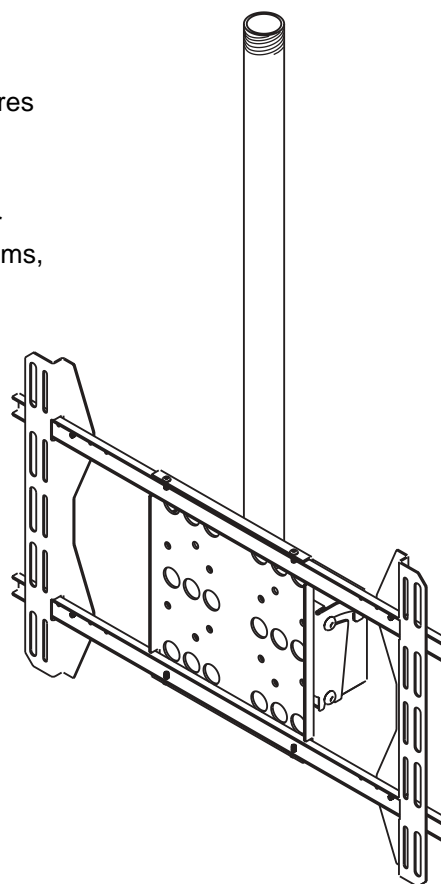
##### BOX2

L = 29 in (737 mm)

W = 21 in (533 mm)

H = 1.125 in (29 mm)

Weight = 11.4 lb (5.17 kg)



## ARCHITECTS SPECIFICATIONS

The Straight Column Flat Panel Ceiling Mount shall be a Peerless model **PLCM UN1** and shall be mounted where indicated on the plans. It shall be constructed of heavy gauge cold rolled steel, steel tubing and finished with scratch resistant Black Fused Epoxy. It shall feature 360° swivel and 0° to 20° range of tilt. Assembly and installation shall be done according to instructions provided by the manufacturer.

### Peerless Industries, Inc.

3215 W. North Ave. Melrose Park, IL 60160  
708-865-8870 800-865-2112 Fax 708-865-2941

[www.peerlessmounts.com](http://www.peerlessmounts.com)

ISSUED: 07-31-06 SHEET NO: 200-9830-1

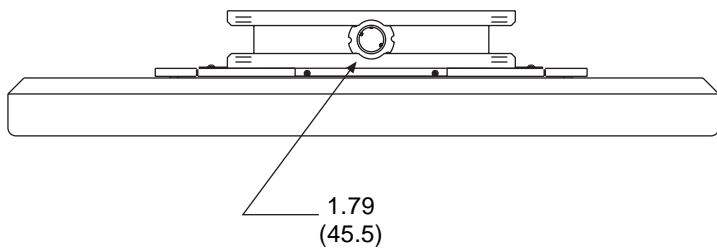
©2005 Peerless Industries, Inc. All rights reserved.  
Peerless is a registered trademark of Peerless Industries, Inc.

All other brand and product names are trademarks or registered trademarks of their respective owners.

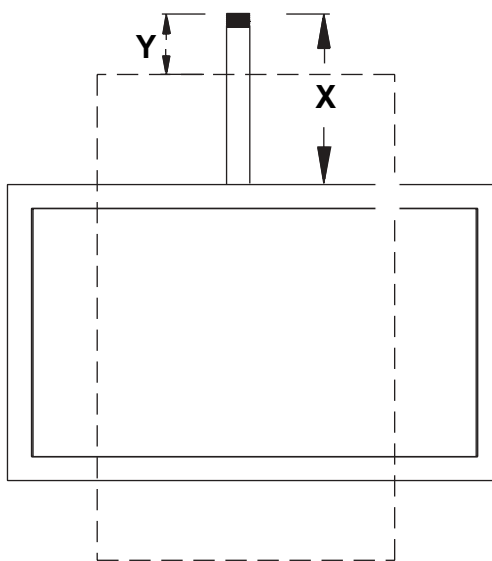
TECHNICAL DATA SHEET

**MODEL: PLCM UN1**

ALL DIMENSION = INCH  
(MM)



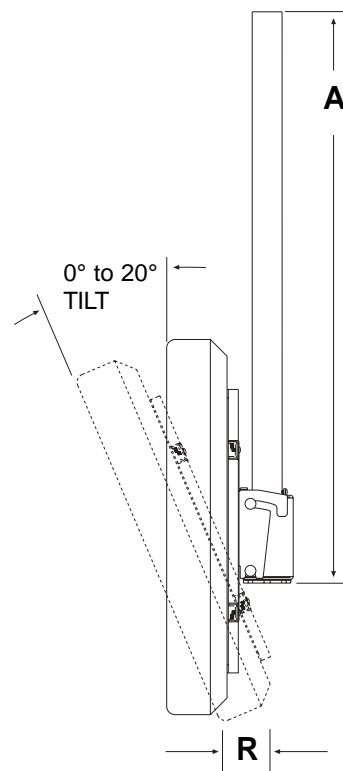
**TOP VIEW**



Landscape:  $X = A - (\frac{1}{2} \text{ (height of plasma)}) - 2.68''$   
Portrait:  $Y = A - (\frac{1}{2} \text{ (width of plasma)}) - 2.68''$

**FRONT VIEW**

**A = 34.26 when used with 33" extension column**  
Landscape:  $X = A - (\frac{1}{2} \text{ (height of plasma)}) - 2.68''$   
Portrait:  $Y = A - (\frac{1}{2} \text{ (width of plasma)}) - 2.68''$



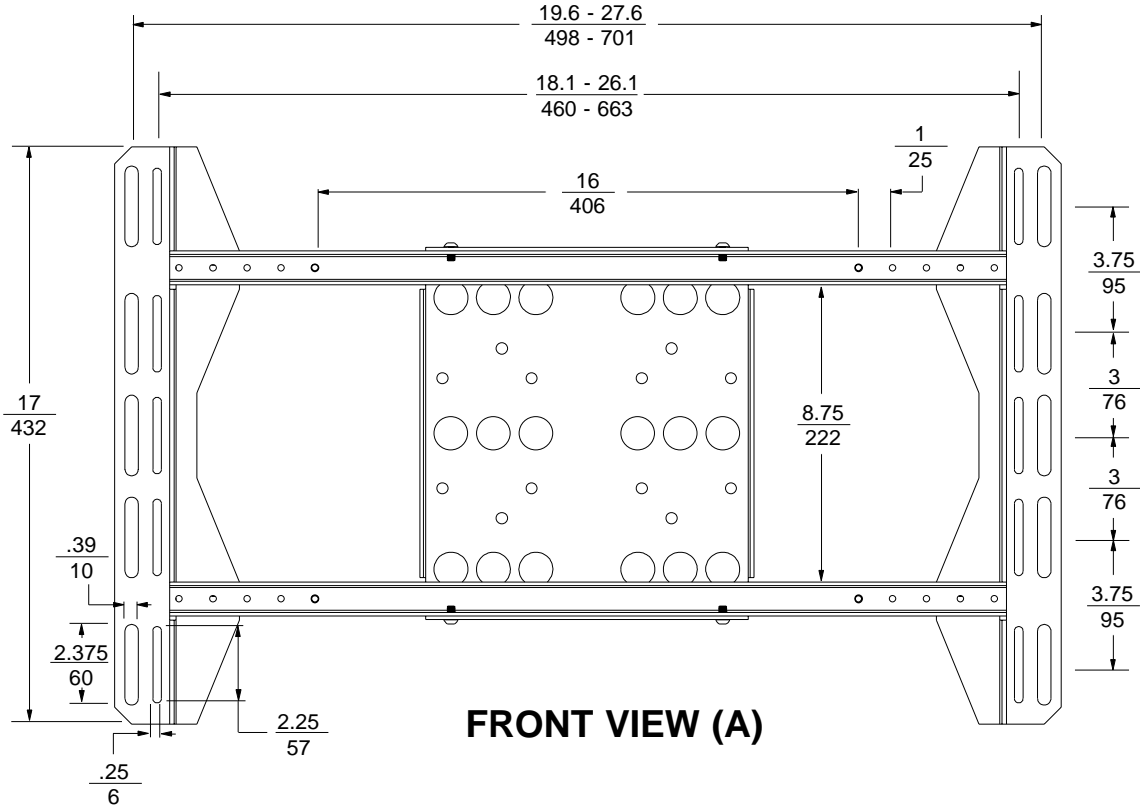
**SIDE VIEW**

RANGE		
<b>R</b>	3.75 (95)	TO 5.25 (133)

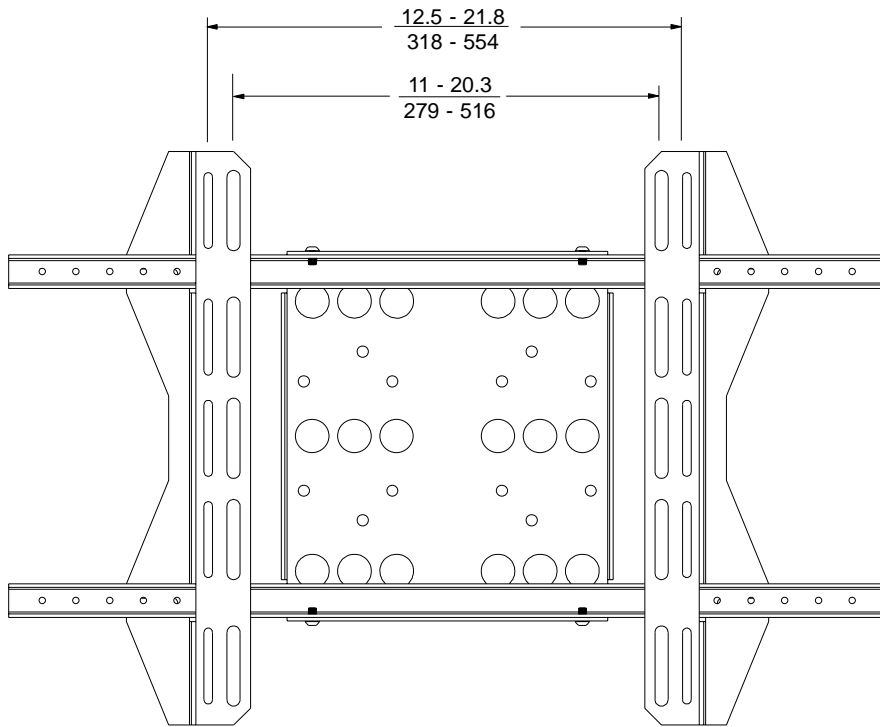
MODEL: PLCM UN1

ADAPTER BRACKET DETAILS

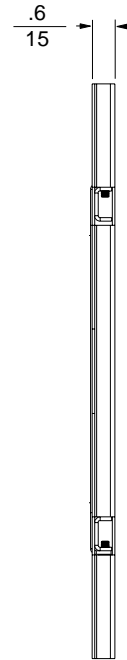
ALL DIMENSION =  $\frac{\text{INCH}}{\text{MM}}$



FRONT VIEW (A)



FRONT VIEW (B)



SIDE VIEW