

TECHNICAL DATA SHEET - Solid•Point™ Plasma Table Top Stand

peerless®
Solid Solutions - Solid Support™

MODEL: PLT BLK

Protected by U.S. Patent number 478,088.

Features:

- Black graphite base
- Steel upright finished in black scratch resistant finish
- Tilt adjustment of 5° back and 10° forward
- Swivel base provides optional 360° rotation
- Cord management conceals and protects cords
- Stand provides for visual confirmation of correct plasma mounting
- Dedicated plasma adapter bracket sold separately under PLP models

Components of PLT BLK:

- Plasma table top stand
- Black graphite base
- Swivel base

Dimensions:

Weight:

30 lb (13.6 kg)

Shipping weight:

33 lb (15 kg)

Maximum Load Capacity:

150 lb (68.2 kg)

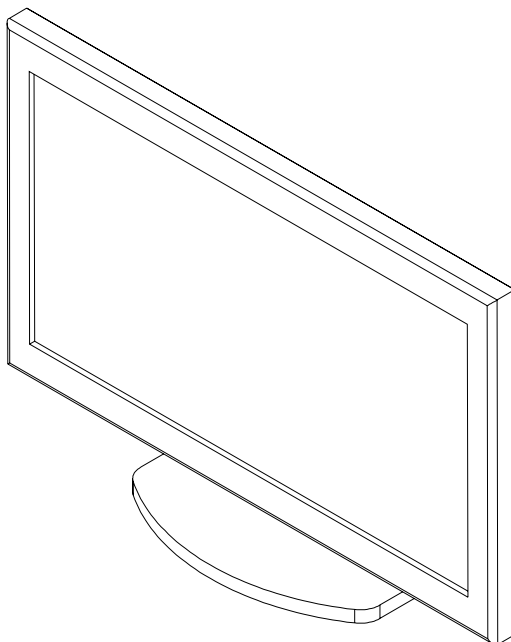
Shipping Carton dimensions:

L = 25 in (635 mm)

W = 14 in (356 mm)

H = 7 in (178 mm)

ALL DIMENSION = INCH (MM)



ARCHITECTS SPECIFICATIONS:

The Solid•Point Plasma Table Top Stand shall be a Peerless model _____ and shall be used in combination with Peerless model _____. It shall be constructed of heavy gage cold rolled steel and finished in scratch resistant Black Fused Epoxy. It shall include a black graphite base. The base shall have 360° swivel and the mount shall feature 5° back and 10° forward tilt adjustment. Installation and assembly shall be done in accordance with the instructions provided by the manufacturer.

Peerless Industries, Inc.

3215 W. North Ave. Melrose Park, IL 60160
708-865-8870 800-865-2112 Fax 708-865-2941

www.peerlessindustries.com

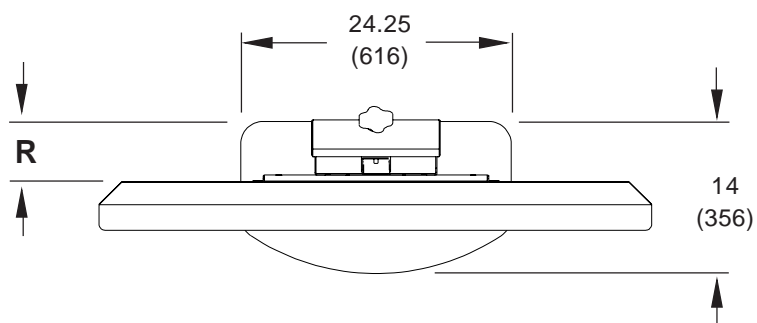
ISSUED: 05-07-02 SHEET NO: 200-9699-5 02-01-05

©2005 Peerless Industries, Inc. All rights reserved.
Peerless is a registered trademark and Solid•Point is a trademark of Peerless Industries, Inc.
All other brand and product names are trademarks or registered trademarks of their respective owners.

TECHNICAL DATA SHEET

MODEL: PLTBLK

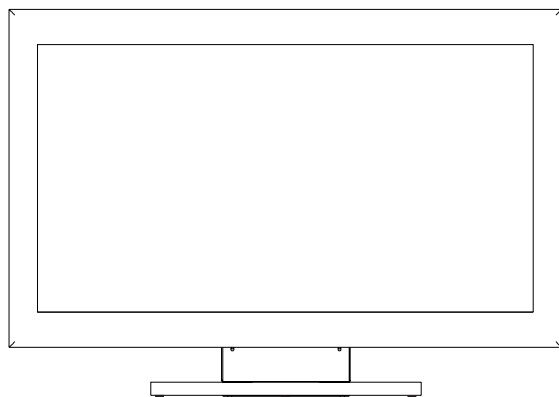
ALL DIMENSION = INCH (MM)



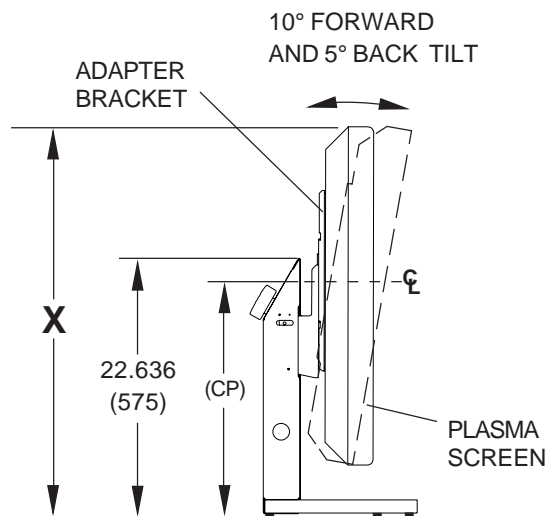
**TOP VIEW
BASE DIMENSIONS**

*RANGE		
R	5.5 (140)	TO 7.4 (188)

*The depth of adapter brackets vary in size which will determine the distance from the back of the plasma to the back of the base.



FRONT VIEW



SIDE VIEW

CP = Center of Plasma
 min = 14.69" (373 mm)
 max = 21.19" (538 mm)
 5 adjustable positions in 1.625" (41 mm) increments

$$X = CP + (\text{Height of Plasma} / 2)$$