

TECHNICAL DATA SHEET - Articulating Wall Arm for LCD Screens

peerless[®]
Solid Solutions - Solid Support™

MODELS: SA 730P, SA 730P-S, RTLA 100, RTLA 100-S



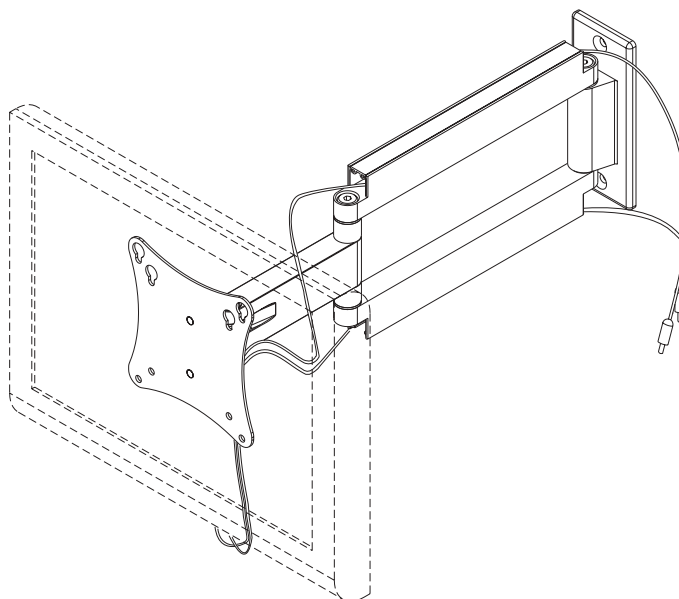
The Articulating LCD Wall Arm supports 10" to 22" LCD screens and folds flat against the wall or extends out for TV viewing anywhere in the room. Its anodized aluminum finish elegantly complements offices, conference rooms, merchandising displays, hotel rooms or any room in the home. This two-link arm provides easy one-touch tilt and up to 180 degrees of swivel for virtually limitless viewing positions. All pivot points can be tightened to restrict movement. Unsightly cords are routed internally within the arm to maintain the clean look of the installation.

Features:

- Fits 10"-22" LCD screens
- Frees up space by folding flat against the wall
- Three pivot points for limitless adjustments
- ±35° of adjustable forward and backward tilt
- Offers 180° of swivel on a wall
- Sleek aluminum design for a clean look
- Built-in internal cord management channels
- Includes hardware for installation to a single wood stud or concrete
- Comes with VESA® 75/100 screen adapter plate
- Ships pre-assembled for fast and easy installation

Accessories:

- Metal stud wall accessory kit - ACC 908



Dimensions:

SA 730P, SA 730P-S **RTLA 100, RTLA 100-S**

Weight:

2.9 lb (1.3 kg)

Weight:

2.9 lb (1.3 kg)

Shipping weight:

3.3 lb (1.5 kg)

Shipping weight:

3.4 lb (1.5 kg)

Maximum Load Capacity:

25.0 lb (11.4 kg)

Shipping Carton Dimensions:

L = 12.25 in (311 mm)

W = 6.25 in (159 mm)

H = 3.25 in (83 mm)

ARCHITECTS SPECIFICATIONS

The LCD Screen Adjustable Wall/Cabinet Mount shall be a Peerless model _____ and shall be located where indicated on the plans. Assembly and installation shall be done according to instructions provided by the manufacturer. Mount is made of anodized aluminum and adapter bracket is made of steel with a scratch resistant epoxy silver finish.

Peerless Industries, Inc.

3215 W. North Ave. Melrose Park, IL 60160
708-865-8870 800-865-2112 Fax 708-865-2941

www.peerlessmounts.com

ISSUED: 05-24-05 SHEET NO: 095-9682-3 09-05-06

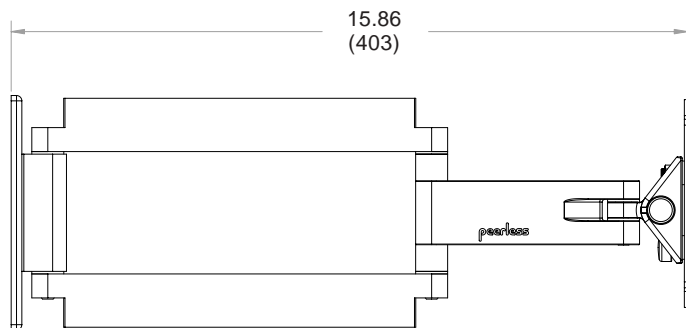
©2006 Peerless Industries, Inc. All rights reserved.
Peerless is a registered trademark of Peerless Industries, Inc.

All other brand and product names are trademarks or registered trademarks of their respective owners.

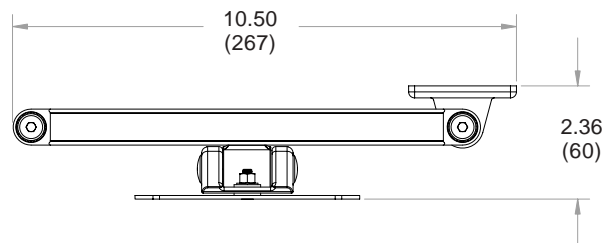
TECHNICAL DATA SHEET

MODELS: SA 730P, SA 730P-S, RTLA 100, RTLA 100-S

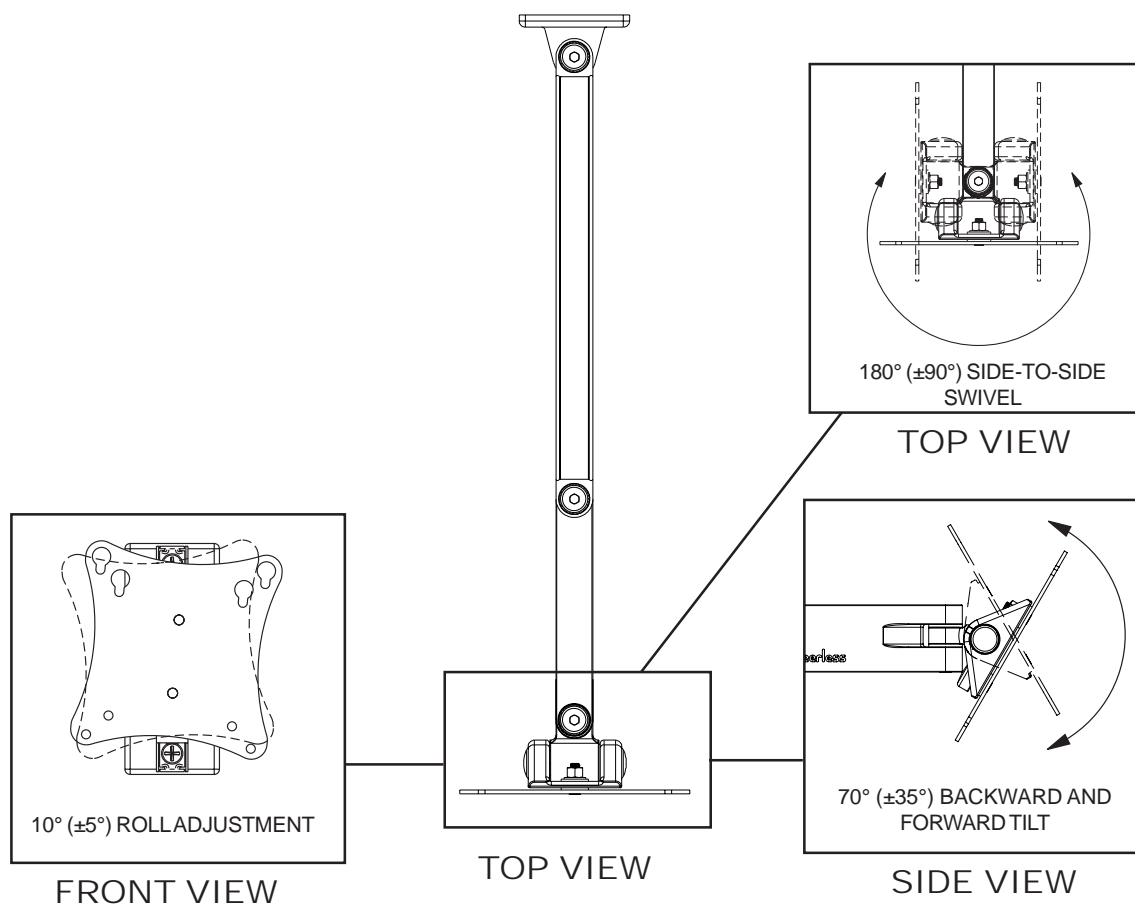
ALL DIMENSIONS = INCH (MM)



RIGHT VIEW



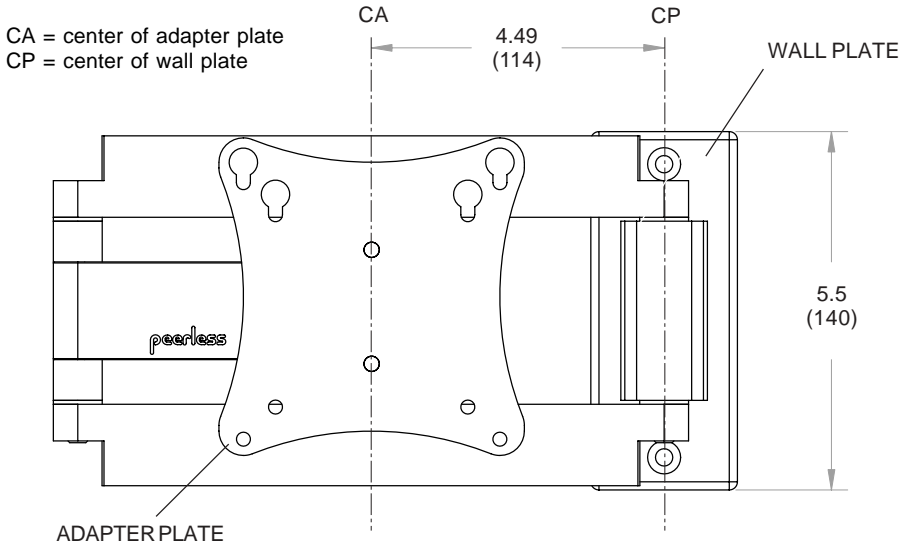
TOP VIEW



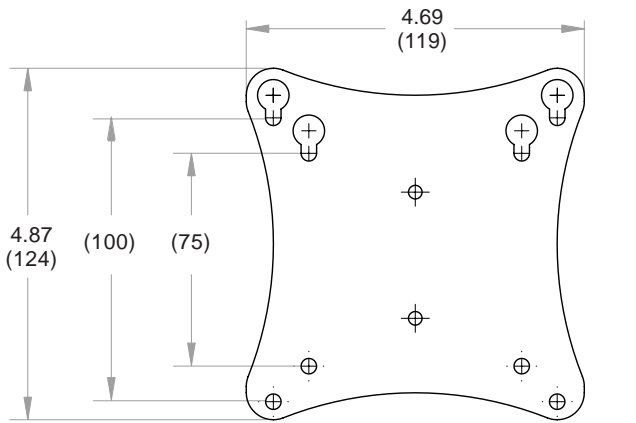
TECHNICAL DATA SHEET

MODELS: SA 730P, SA 730P-S, RTLA 100, RTLA 100-S

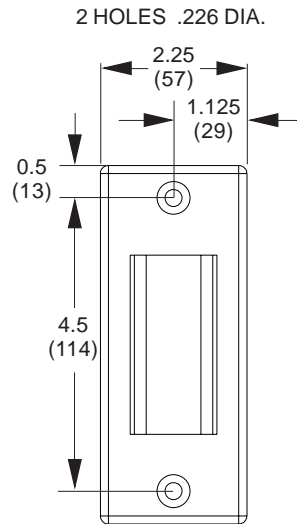
ALL DIMENSIONS = INCH (MM)



FRONT VIEW



ADAPTER PLATE DETAIL



WALL PLATE