

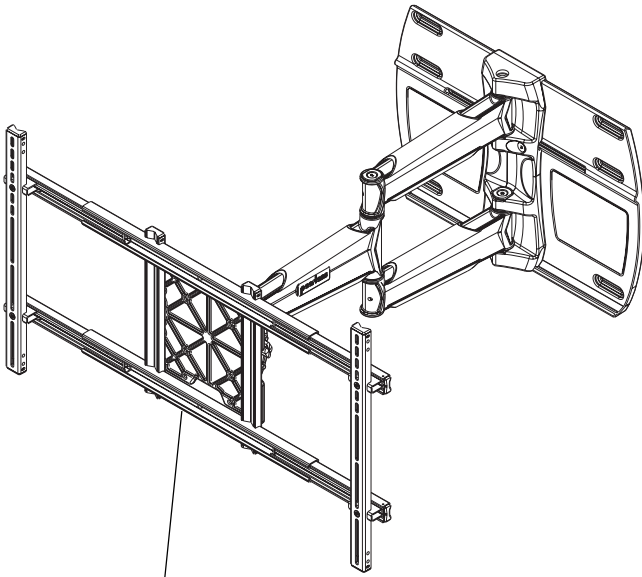
Installation and Assembly: SmartMount™ Articulating Flat Panel Wall Mounts for 32" to 71" screens

Product is UL rated for screen size range and load capacity per chart below

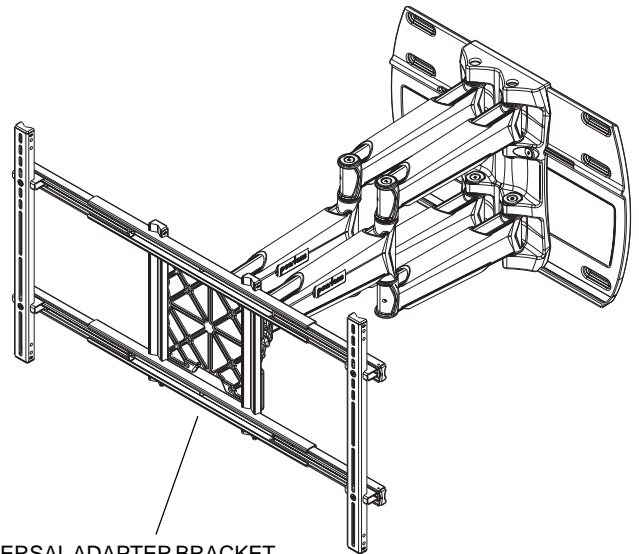
Model #	Screen Size Range	Max. UL Load Capacity
RTFPA50U, RTFPA50US, SA750P, SA750P-S, SA750PU, SA750PU-S	32"-50"	150 lbs (68 kg)
RTFPA63U, RTFPA63US, SA760PU, SA760PU-S	37"-63"	200 lbs (91 kg)
SA760P, SA760P-S	37"-71"	



This product is UL Listed. It must be installed by a qualified professional installer.



UNIVERSAL ADAPTER BRACKET
INCLUDED WITH RTFPA50U,
RTFPA50US, SA750PU, SA750PU-S



UNIVERSAL ADAPTER BRACKET
INCLUDED WITH RTFPA63U,
RTFPA63US, SA760PU, SA760PU-S

Features:

- U-groove and U-cap system for clean and simple cable management
- Up to 10.75" (7.75" for dual-arm models) total horizontal adjustment for ideal screen positioning
- +15°/-5° of easy one-touch tilt
- Two knockouts for optimal electrical access
- Three pivot points with up to 180° swivel

Note: Read entire instruction sheet before you start installation and assembly.

WARNING

- Do not begin to install your Peerless product until you have read and understood the instructions and warnings contained in this Installation Sheet. If you have any questions regarding any of the instructions or warnings, call Peerless customer service at 1-800-729-0307.
- This product should only be installed by someone of good mechanical aptitude, has experience with basic building construction, and fully understands these instructions.
- Make sure that the supporting surface will safely support the combined load of the equipment and all attached hardware and components.
- Never exceed the Maximum UL Load Capacity.
- If mounting to wood wall stud wall construction, make sure that mounting screws are anchored into the center of the studs. Use of an "edge to edge" stud finder is highly recommended.
- Always use an assistant or mechanical lifting equipment to safely lift and position equipment.
- Tighten screws firmly, but do not overtighten. Overtightening can damage the items, greatly reducing their holding power. See suggested torque values where applicable within these instructions.

Tools Needed for Assembly

- stud finder ("edge to edge" stud finder is recommended)
- phillips screwdriver
- pencil
- drill
- 3/16" drill bit for wood studs, 5/16" drill bit for concrete
- 7/16" socket wrench or bit driver for wood screws
- level
- tape measure

Table of Contents

Parts List	3, 4
Adjustment of Arm	5
Installation to Double Wood Stud Wall	6
Installation to Solid Concrete and Cinder Block	7
Installing Universal Adapter Bracket	8
Attaching Adapter Plate to Screen with VESA® Mounting Patterns	12
Installing and Removal of Flat Panel Screen	13
Adjustment of Flat Panel Screen	13
Cord Management	14

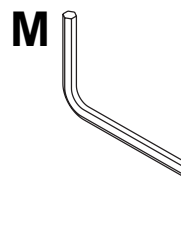
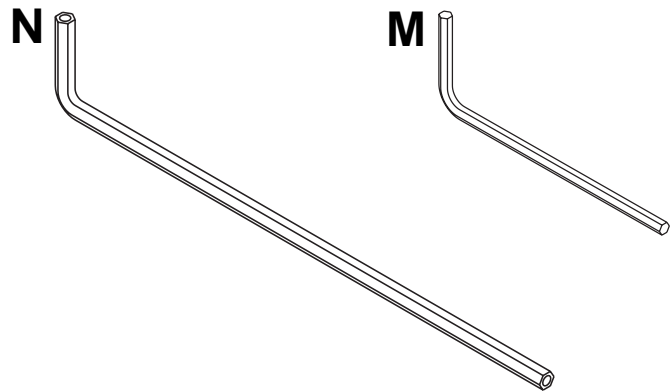
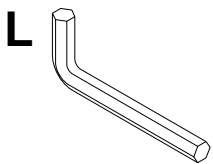
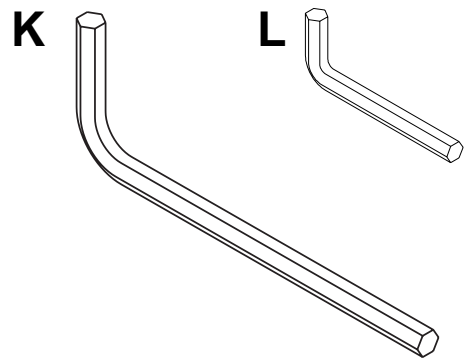
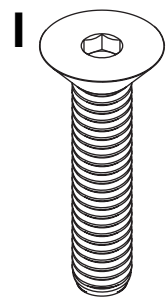
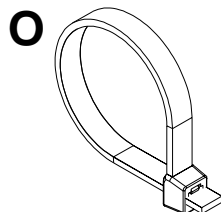
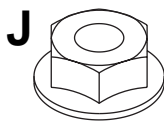
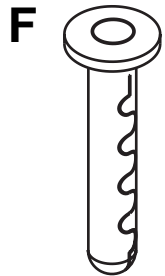
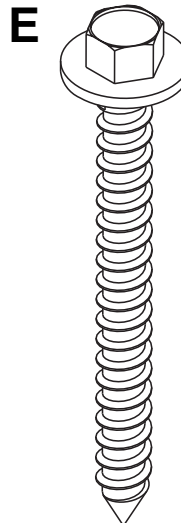
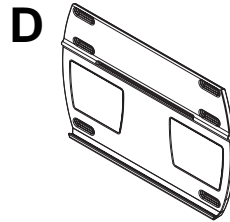
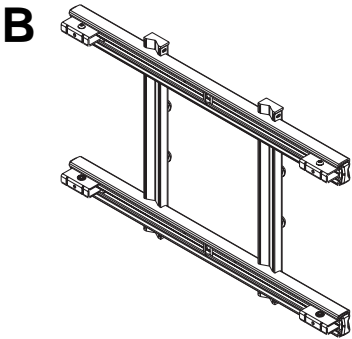
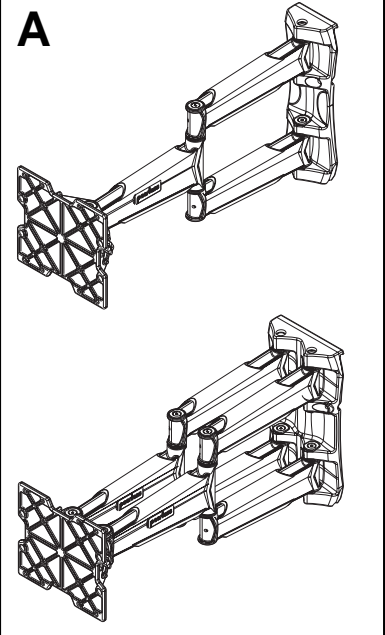
For customer care call (800) 729-0307 or (708) 865-8870.

SA750P, SA750P-S
 RTFPA50U, RTFPA50US,
 SA750PU, SA750PU-S
 SA760P, SA760P-S
 RTFPA63U, RTFPA63US,
 SA760PU, SA760PU-S

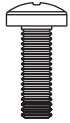
Before you begin, make sure all parts shown are included with your product.
 Parts may appear slightly different than illustrated.

Parts List

				Description	Qty.	Gloss Black Part #	Gloss Silver Part #
X	X			A arm (single arm)	1	201-0275	201-0275-S
		X	X	(double arm)		201-0276	201-0276-S
	X			B universal adapter bracket	1	201-P1367	201-C4367
	X			C screen bracket	2	201-P1396	201-C4396
X	X	X	X	D wall plate	1	201-0244	201-0244-S
X	X	X	X	E 5/16 x 3" wood screw	6	520-1243	520-2243
X	X	X	X	F alligator® anchor	6	590-1025	590-1025
	X			G M10 x 15 mm socket screw	4	520-9262	520-9534
	X			H M5 x 10 mm flat head phillips screw	4	520-1573	520-2573
X	X	X	X	I 5/16-18 x 1.75" flat head socket screw	2	520-1332	520-2332
X	X	X	X	J 5/16"-18 nut	2	530-1034	530-2034
	X			K 6 mm allen wrench	1	560-9716	560-9716
X	X	X	X	L 3/16" allen wrench	1	560-9713	560-9713
	X			M 3 mm allen wrench	1	560-0073	560-0073
X	X	X	X	N 4 mm allen wrench	1	560-9646	560-9646
X	X	X	X	O cable ties	12	590-1168	590-1168



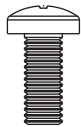
Adapter Bracket Fasteners



M4 x 12 mm (6)
(504-9013)



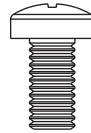
M4 x 25 mm (4)
(504-1015)



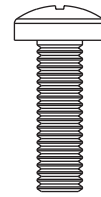
M5 x 12 mm (4)
(520-1027)



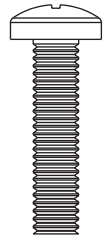
M5 x 25 mm (4)
(520-9543)



M6 x 12 mm (4)
(520-1128)



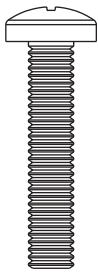
M6 x 20 mm (4)
(520-9402)



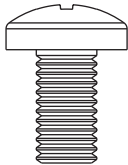
M6 x 25 mm (4)
(520-1208)



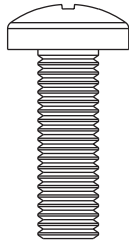
I.D. .22" (4)
(540-1057)



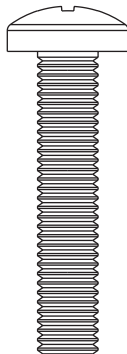
M6 x 30 mm (4)
(510-9109)



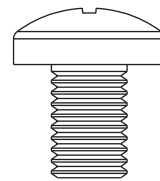
M8 x 16 mm (6)
(520-9257)



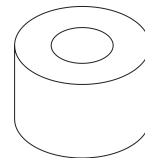
M8 x 25 mm (4)
(520-1031)



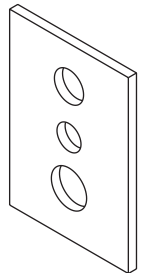
M8 x 40 mm (4)
(520-1136)



M10 x 15 mm (4)
(520-9262) BLK
(520-9534) SLV



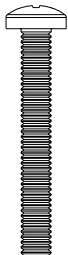
I.D. .34" (4)
(540-1059)



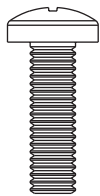
multi-washer (6)
(580-1036)



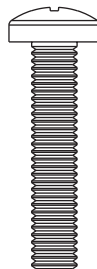
M4 x 20 mm (4)
(504-9020) BLK
(504-2020) SLV



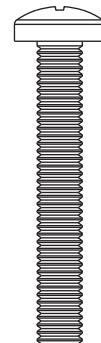
M4 x 30 mm (4)
(520-1133) BLK
(520-2133) SLV



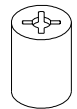
M6 x 20 mm (4)
(520-9402) BLK
(520-2407) SLV



M6 x 30 mm (4)
(510-9109) BLK
(510-2109) SLV



M6 x 40 mm (4)
(520-1584) BLK
(520-1207) SLV



ID.128" (4)
(590-5005) BLK
(590-5003) SLV

Adjustment of Arm on Wall Plate

- 1** **NOTE:** If mounting wall plate (D) to wood stud wall surface, slots on wall plate (D) must align to studs.
- Determine desired location of screen center (refer to step 2) as shown in fig. 1.1, then hook arm onto wall plate (D) as shown in fig. 1.2.
- Using 3/16" allen wrench (L), secure arm (A) to wall plate (D) using two 5/16-18 x 1.75" flat head socket screws (I) and two 5/16"-18 nuts (J) as shown in fig. 1.3. **NOTE: BOTH 5/16-18 x 1.75" flat head socket screws (I) must be fastened to to wall plate securely using 5/16"-18 nuts (J). Do not adjust arm while screen is attached.**

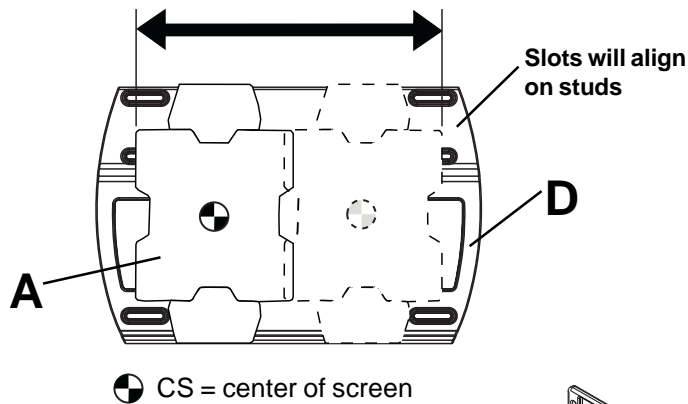


fig. 1.1

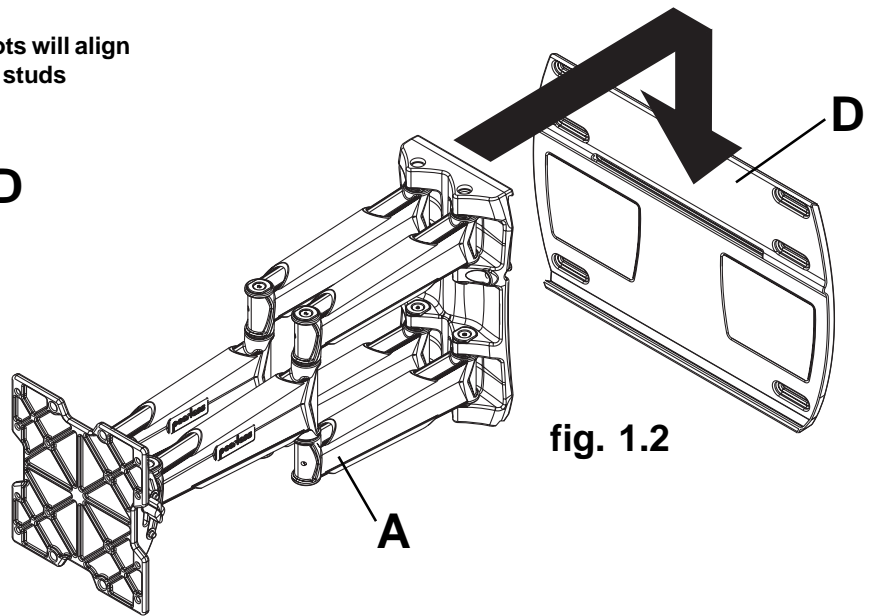


fig. 1.2

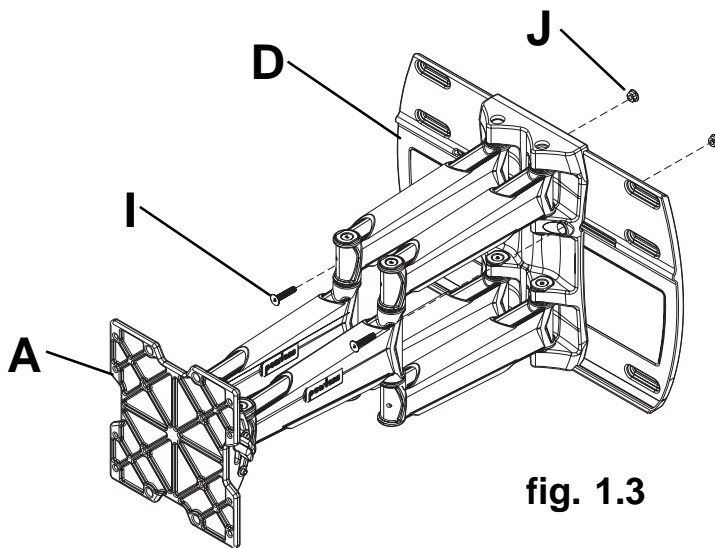


fig. 1.3

Installation to Double Wood Stud Wall

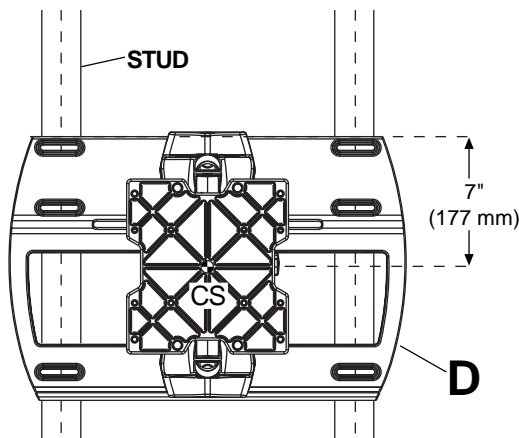
⚠ WARNING

- Installer must verify that the supporting surface will safely support the combined load of the equipment and all attached hardware and components.
- Tighten wood screws so that wall plate is firmly attached, but do not overtighten. Overtightening can damage the screws, greatly reducing their holding power.
- Never tighten in excess of 80 in. • lb (9 N.M.).
- Make sure that mounting screws are anchored into the center of the stud. The use of an "edge to edge" stud finder is highly recommended.
- Hardware provided is for attachment of mount through standard thickness drywall or plaster into wood studs. Installers are responsible to provide hardware for other types of mounting situations.

2 Determine and mark with a pencil, the desired center of screen on wall. Measure 7" (177 mm) above desired center of screen and draw a horizontal line to locate placement of wall plate template. Wall plate (**D**) can be mounted to two studs that are 16" apart. Use a stud finder to locate the edges of the studs. Use of an edge to edge stud finder is highly recommended. Based on their edges, draw a vertical line down each stud's center. Align top of template (top of wall plate) with horizontal line and align slots of wall plate template with wood stud center lines. Level template (wallplate) on wall and mark center of six mounting holes making sure that mounting holes are on the stud centerlines. Drill six 3/16" (5mm) dia. pilot holes 3" (76 mm) deep. Level and secure wall plate (**D**) on wall using six 5/16" x 3" wood screws (**E**) as shown in fig. 2.2.

NOTE: Wall plate (slot) may be adjusted .875" in either direction off center of wood screw (**E**) and stud as shown in detail 1.

Skip to step 3.



CS = center of screen

fig. 2.1

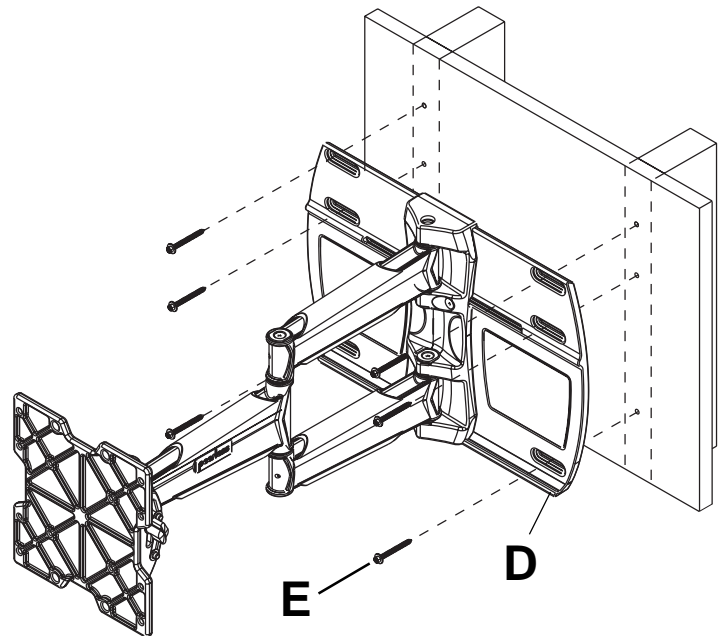
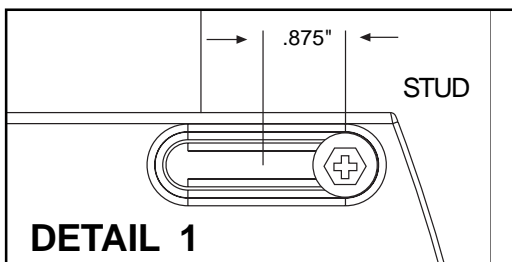


fig. 2.2



DETAIL 1

Installation to Solid Concrete or Cinder Block

⚠ WARNING

- When installing Peerless wall mounts on cinder block, verify that you have a minimum of 1-3/8" of actual concrete thickness in the hole to be used for the concrete anchors. Do not drill into mortar joints! Be sure to mount in a solid part of the block, generally 1" minimum from the side of the block. Cinder block must meet ASTM C-90 specifications. It is suggested that a standard electric drill on slow setting is used to drill the hole instead of a hammer drill to avoid breaking out the back of the hole when entering a void or cavity.
- Concrete must be 2000 psi density minimum. Lighter density concrete may not hold concrete anchor.
- Make sure that the supporting surface will safely support the combined load of the equipment and all attached hardware and components.

- 2** Determine and mark with a pencil, the desired center of screen on wall. Measure 7" (177 mm) above desired center of screen and draw a horizontal line to locate placement of wall plate template. Align top of template (top of wall plate) with horizontal line. Level template (wallplate) on wall and mark center of six mounting holes. Drill six 5/16" (8 mm) dia. holes 3" (76.2 mm) deep. Insert anchors (F) in holes flush with wall as shown (right). Place wall plate (D) over anchors and secure with six 5/16" x 3" screws (E) as shown in fig. 2.3. Level wall plate, then tighten all fasteners.

⚠ WARNING

- Tighten screws so that wall plate is firmly attached, but do not overtighten. Overtightening can damage screws, greatly reducing their holding power.
- Never tighten in excess of 80 in. • lb (9 N.M.).

⚠ WARNING

- Always attach concrete anchors directly to load-bearing concrete.
- Never attach concrete anchors to concrete covered with plaster, drywall, or other finishing material. If mounting to concrete surfaces covered with a finishing surface is unavoidable, the finishing surface must be counterbored as shown below. Be sure concrete anchors do not pull away from concrete when tightening screws. If plaster/drywall is thicker than 5/8", custom fasteners must be supplied by installer.
(Not evaluated by UL)

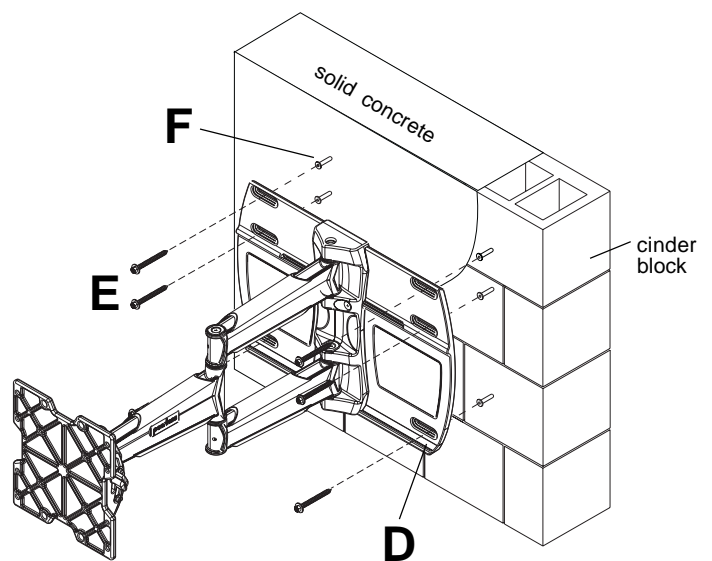
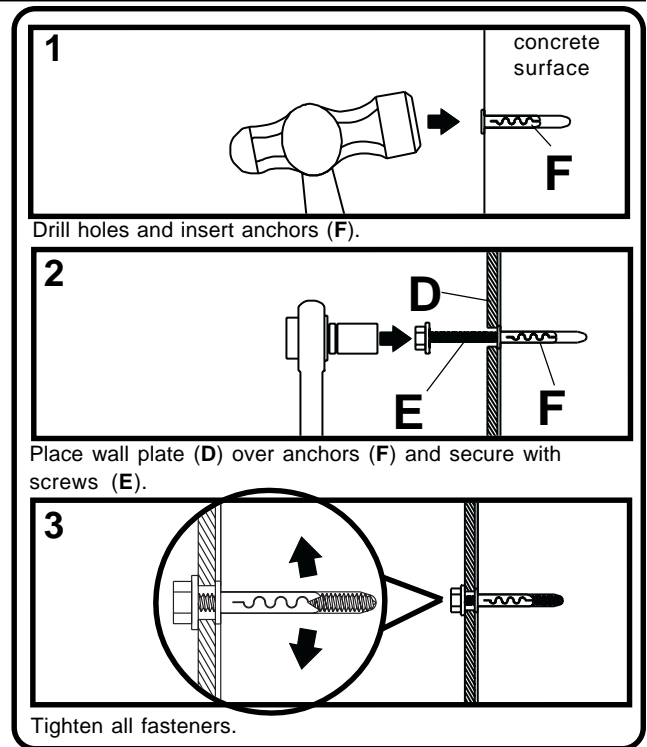
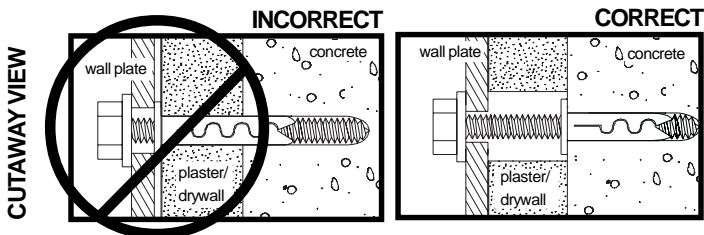
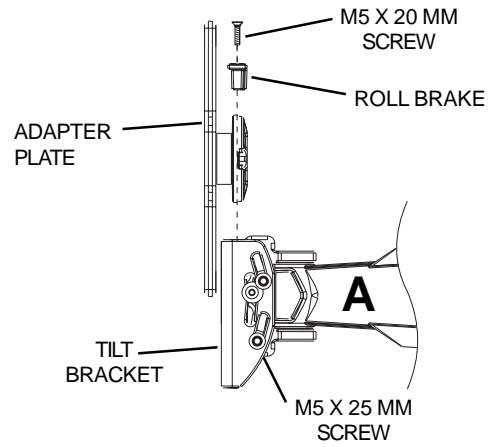


fig. 2.3

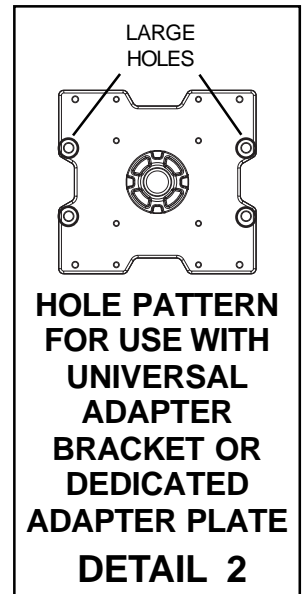
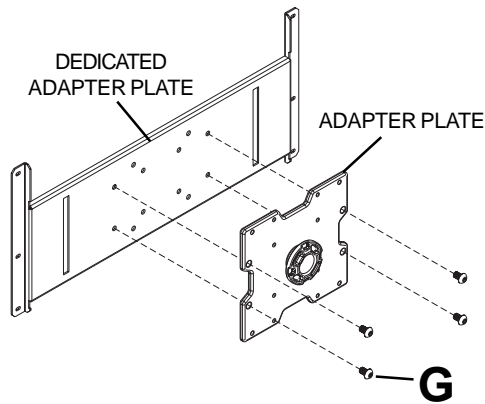
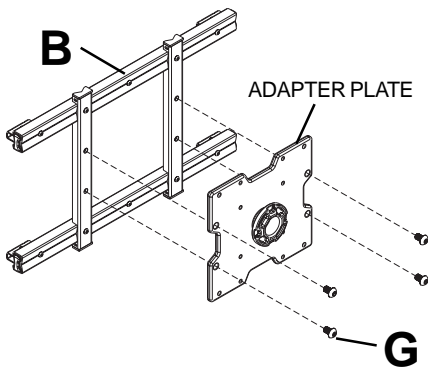
3 Remove two M5 x 20 mm screws from the rollbrake. Lift adapter plate out from tilt bracket as shown.

NOTE: M5 X 25 mm screw may need to be loosened a few turns to allow adapter bracket to be removed using 4 mm allen wrench (**N**).



Installing Universal Adapter Bracket to Screen

4 **NOTE:** If your screen has a VESA hole pattern skip to page 12. Using the hole pattern shown in detail 2, attach the adapter plate to universal adapter bracket (**B**) or dedicated adapter plate with four M10 x 15 mm screws (**G**) as shown. Tighten screws using 6 mm allen wrench (**K**).



4-1 Remove bracket covers from screen brackets (**C**) as shown in fig. 4.1. Fasten two screen brackets (**C**) to the gliders on universal adapter bracket (**B**) using four M5 x 10 mm flat head phillips screws (**H**) as shown in fig. 4.1.2.

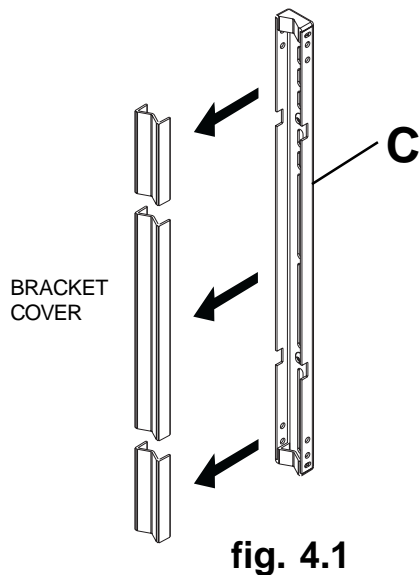


fig. 4.1

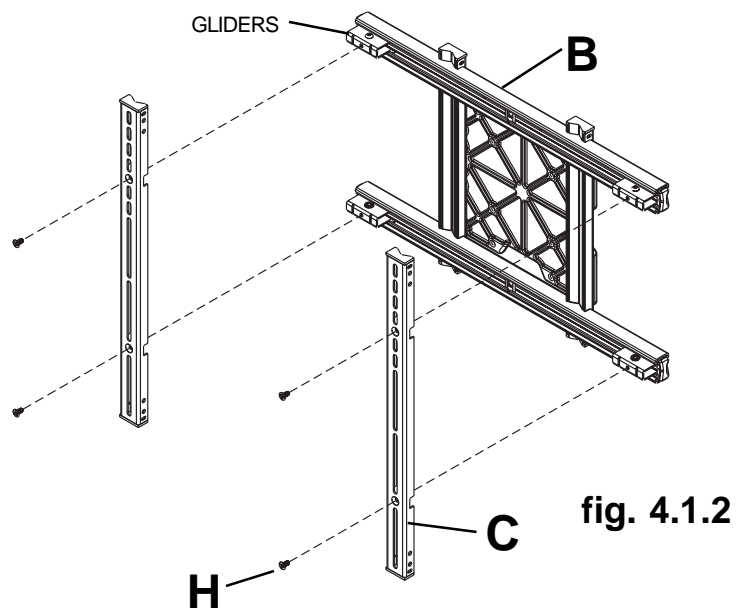


fig. 4.1.2

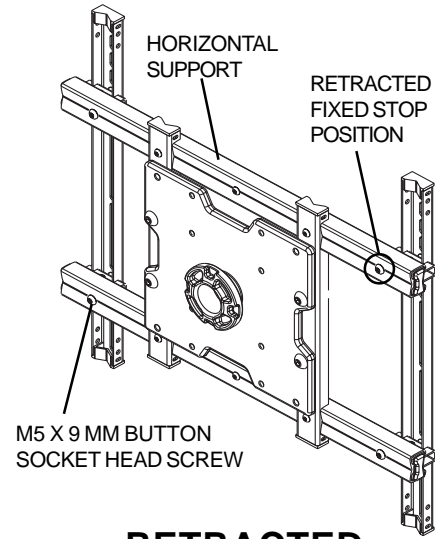
CAUTION

- Do not tighten screws with excessive force. Overtightening can cause damage to mount. Tighten M5 x 9 mm vertical support screws and M5 x 9mm socket button head screws to 35 in. • lb (3.95 N.M.) maximum torque.

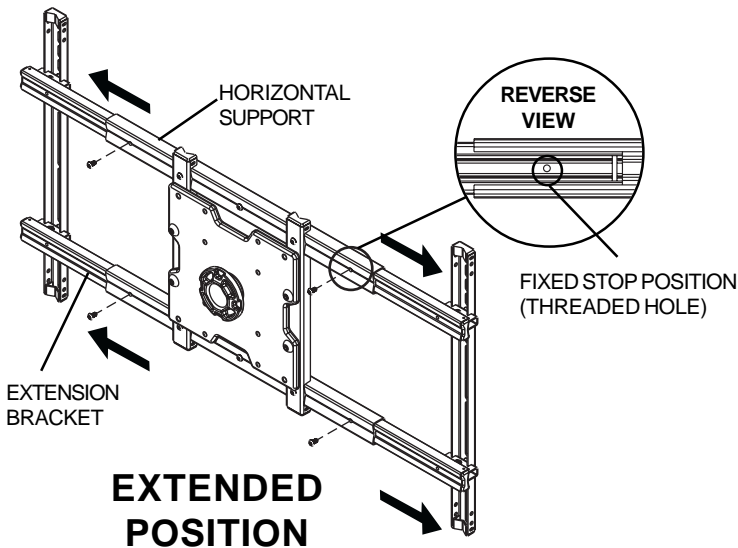
4-2 The universal adapter bracket has two fixed stop positions which lock the extension brackets in the retracted position (shown right) or extended position (shown below) using the M5 x 9mm screws.

If the distance between mounting holes on the back of your screen measure 17.5" (445 mm) wide or less keep universal adapter bracket in the retracted position. *Skip to step 4-3.*

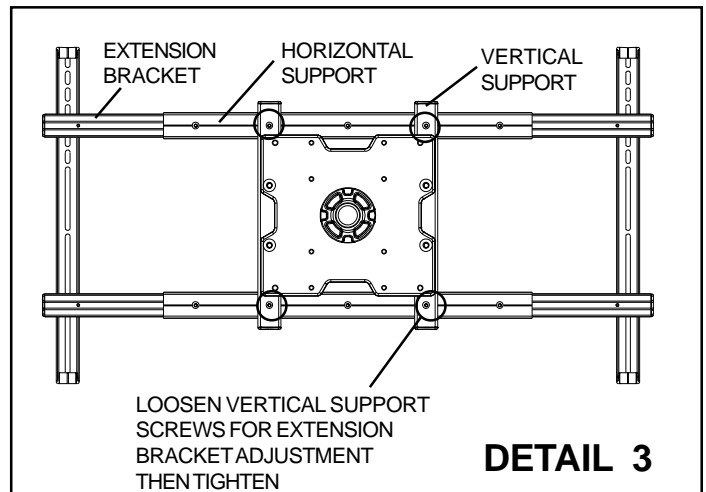
If the distance between mounting holes on the back of your screen measure wider than 17.5" (445 mm), remove four M5 x 9 mm socket button head screws from universal adapter bracket using 3 mm allen wrench (**M**), as shown below. **NOTE:** You may need to loosen four M5 x 9 mm vertical support screws, as shown in detail 3, one full turn to adjust extension brackets. Extend both extension brackets out to the fixed stop positions (threaded hole shown in reverse view below). Secure extension bracket to the horizontal support by fully tightening M5 x 9 mm socket button head screws into the fixed stop positions of the extension brackets using 3 mm allen wrench (**M**) as shown in the reverse view. Retighten M5 x 9 mm vertical support screws as shown in detail 3.



RETRACTED POSITION



EXTENDED POSITION



DETAIL 3

- 4-3** Using 3 mm allen wrench (**M**), loosen screws of each glider on the universal adapter bracket until screen brackets (**C**) can move with ease within extension bracket.

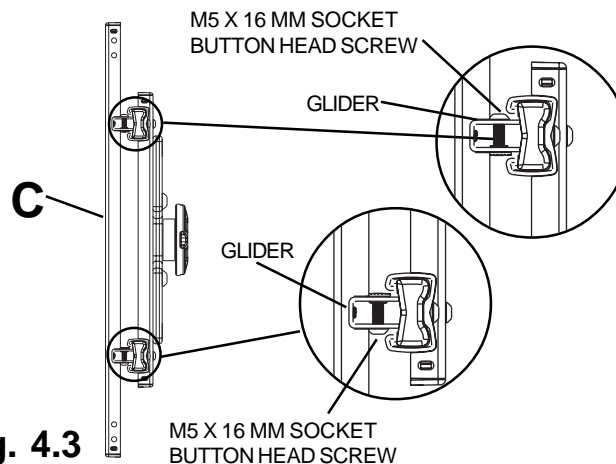


fig. 4.3

⚠ WARNING

- Tighten screws so screen brackets are firmly attached to screen. Do not tighten with excessive force. Overtightening can cause stress damage to screws, greatly reducing their holding power and possibly causing screw heads to become detached. Tighten to 40 in. • lb (4.5 N.M.) maximum torque.
- If screws don't get three complete turns in the screen inserts or if screws bottom out and bracket is still not tightly secured, damage may occur to screen or product may fail.

- 4-4** **NOTE:** Refer to page 9 for adjustments of universal adapter bracket (**B**) extension brackets.

To prevent scratching the screen, set a cloth on a flat, level surface that will support the weight of the screen. Place screen face side down. Refer to screen manufacturers instructions for removal of knobs, base, cover, or screw(s) on the back of the screen to prepare for mounting screen brackets (**C**) to screen. Adjust screen brackets (**C**) to align with screen mounting holes as shown in fig. 4.4. Select the small, medium, large or extra large screws from the baffled fastener pack then attach screen brackets (**C**) to screen following figure 4.5 or 4.6 on page 11. Retighten M5 x 16 mm glider screws as shown in fig. 4.3.

NOTE: Top and bottom mounting holes must be used for attaching screen brackets. Middle holes should also be used where the fasteners and screens allow. Verify that all holes are properly aligned, and then tighten screws using a phillips screw driver.

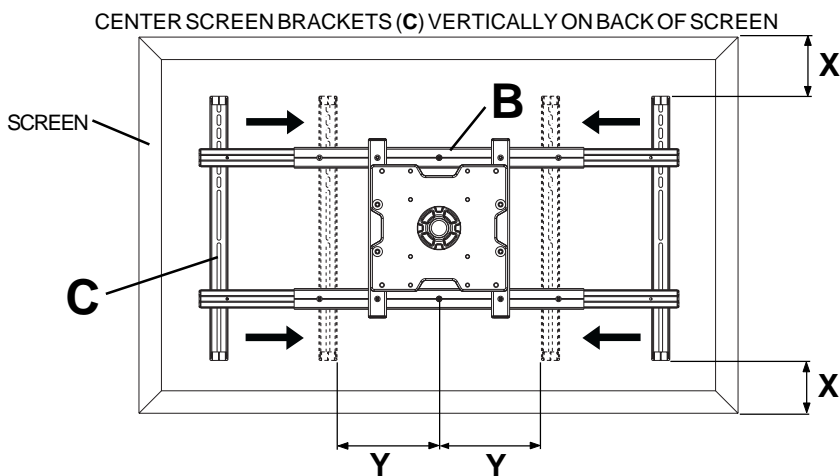
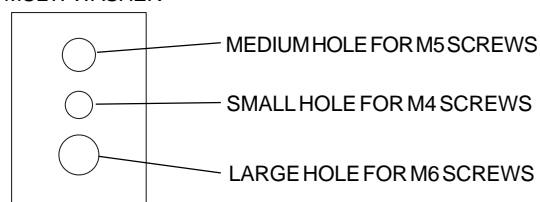


fig. 4.4

NOTE: "X" dimensions should be equal.
"Y" dimensions should be equal.

MULTI-WASHER



NOTES:

- Always use multi-washers when attaching screen brackets (**C**) to your screen when using small, medium or large screws. No multi-washer is required for extra large (M8) screws.
- Use the corresponding hole in the multi-washer that matches your screw size as shown.

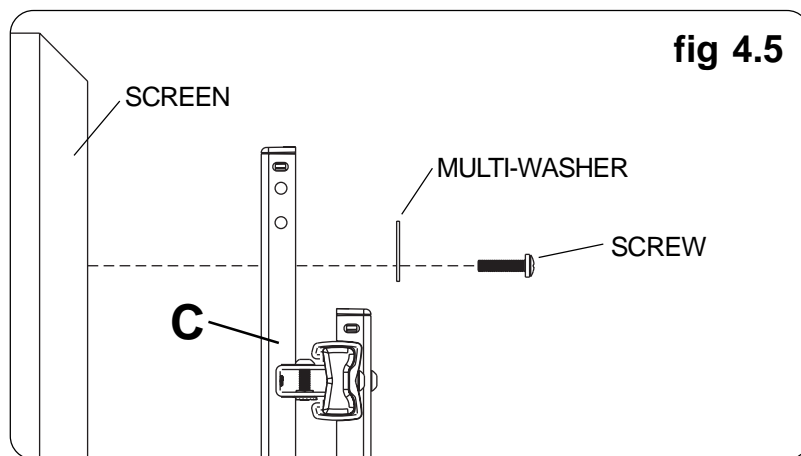
NOTE: For flat back screens proceed to step 4-5. For bump-out or recessed back screen skip to step 4-6

For Flat Back Screen

4-5 Begin with the shortest length screw, hand thread screw through multi-washer and screen brackets (**C**) into screen as shown below. Screw must make at least three full turns into the mounting hole and fit snug into place. Do not over tighten. If screw cannot make three full turns into the screen, select a longer length screw from the baffled fastener pack. Repeat for remaining mounting holes, level screen brackets and tighten screws. Snap bracket covers into the back of screen brackets (**C**), refer to fig. 4.1 on page 8.

NOTE: Spacers may not be used, depending upon the type of screen.

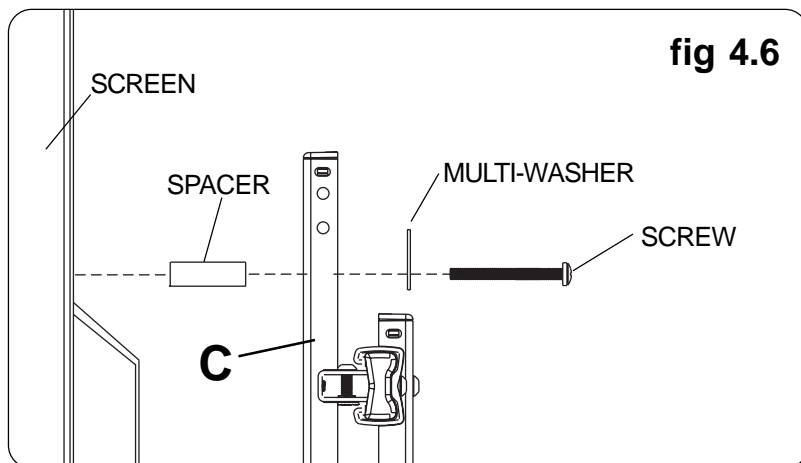
If you have any questions, please call Peerless customer care at **1-800-865-2112**. Visit our website at www.peerlessmounts.com/unl to determine the correct fasteners to use for your particular screen.



For Bump-out or Recessed Back Screen

4-6 Begin with longer length screw, hand thread screw through multi-washer, screen brackets (**C**) and spacer in that order into screen as shown below. Screw must make at least three full turns into the mounting hole and fit snug into place. Do not over tighten. If screw cannot make three full turns into the screen, select a longer length screw from the baffled fastener pack. Repeat for remaining mounting holes, level screen brackets and tighten screws. Snap bracket covers into the back of screen brackets (**C**), refer to fig. 4.1 on page 8.

If you have any questions, please call Peerless customer care at **1-800-865-2112**. Visit our website at www.peerlessmounts.com/unl to determine the correct fasteners to use for your particular screen.

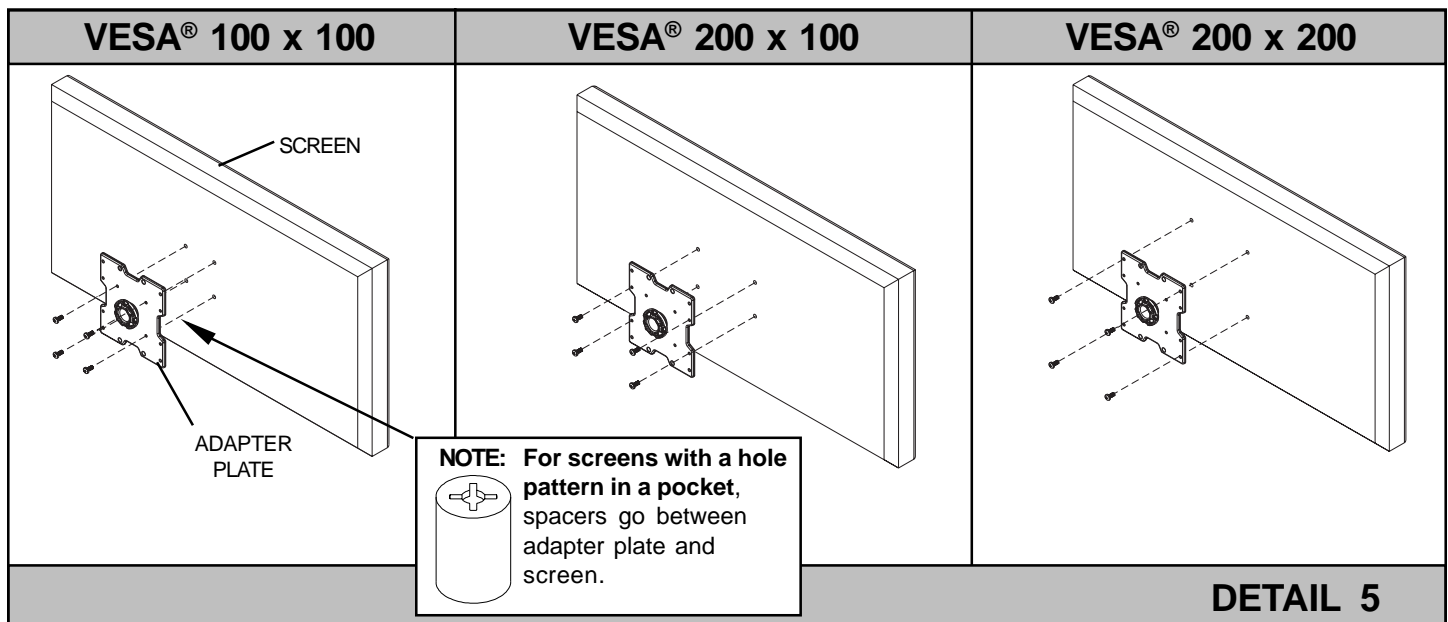
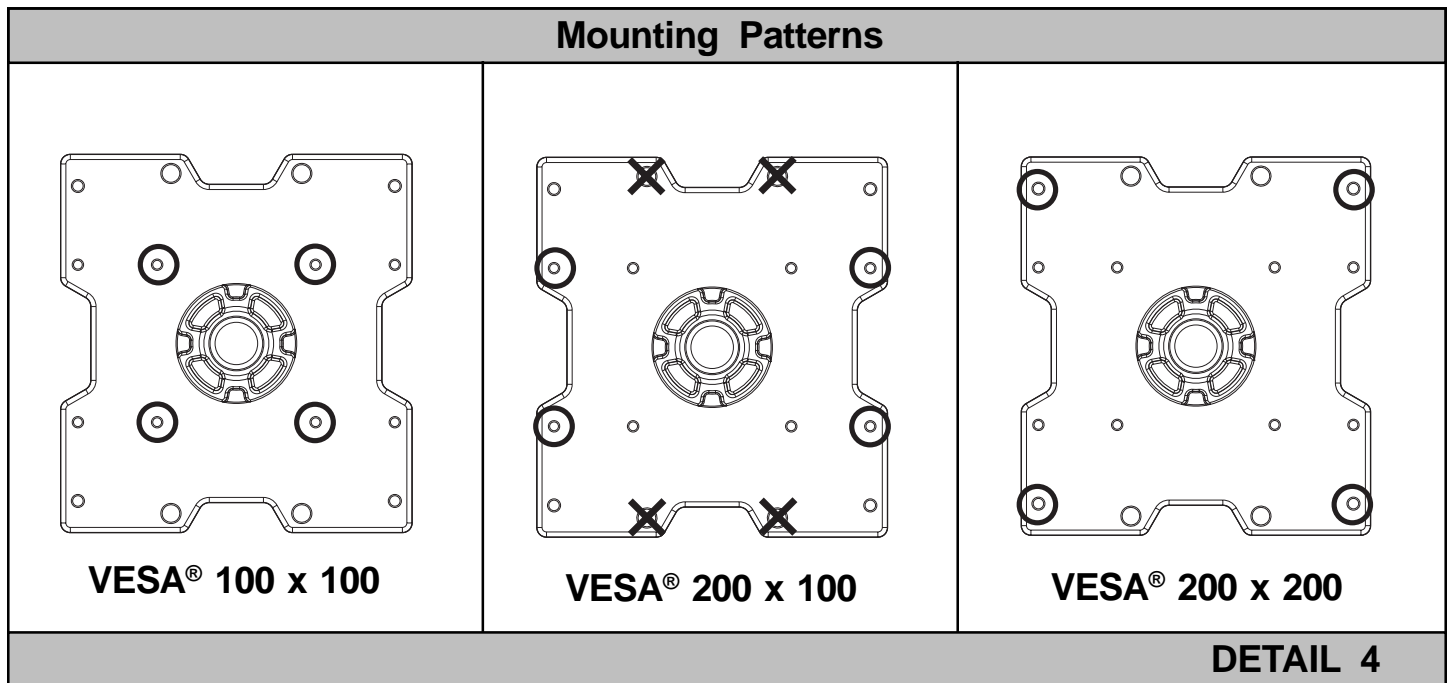


Attaching Adapter Plate to Screen with VESA® Mounting Pattern

- 4** Choose hole pattern as shown in detail 4 for VESA mounting pattern. Begin with the shortest length screw, hand thread through adapter plate into screen as shown in detail 5. Screw must make at least three full turns into the mounting hole and fit snug into place. Do not over tighten. If screw cannot make three full turns into the screen, select a longer length screw from the fastener pack. Repeat for remaining mounting holes. Securely tighten screws.

NOTE: Spacers may not be used, depending upon the type of screen.

If you have any questions, please call Peerless customer care at **1-800-865-2112**. Visit our website at www.peerlessmounts.com/unl to determine the correct fasteners to use for your particular screen.



⚠ WARNING

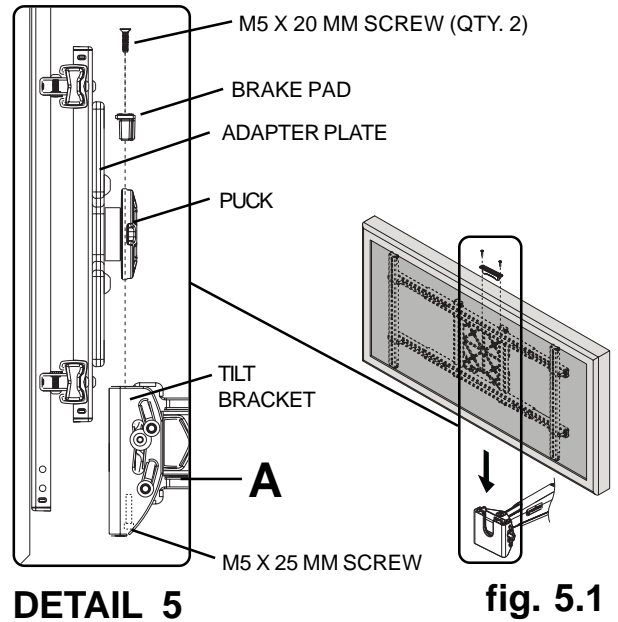
- Do not lift more weight than you can handle. Use additional man power or mechanical lifting equipment to safely handle placement of the screen.
- Failure to lock brake pad with two M5 x 20 mm screws and lock tilt bracket with M5 x 25 mm screw can cause screen to come off mount if hit accidentally.

Installing and Removing Flat Panel Screen

- 5** To attach screen to arm (A), insert the puck of adapter plate into the tilt bracket slot as shown in figure 5.1. Attach brake pad assembly as shown in Detail 5 so that the brake pad is snug against the adapter plate. Adjust roll position of adapter plate to level screen then lock puck in place by tightening M5 x 25 mm screw on the underside of tilt bracket using 4 mm allen wrench (N). Tighten all (M5 x 20 mm, M5 x 25 mm) screws.
- NOTE:** To remove screen from arm (A), remove two M5 x 20 mm screws and brake pad. Lift screen out of tilt bracket.

CAUTION

- Do not tighten screws with excessive force. Overtightening can cause damage to mount. Tighten M5 x 20 mm screws to 20 in. • lb (2.26 N.M.) maximum torque.



Adjustment of Flat Panel Screen

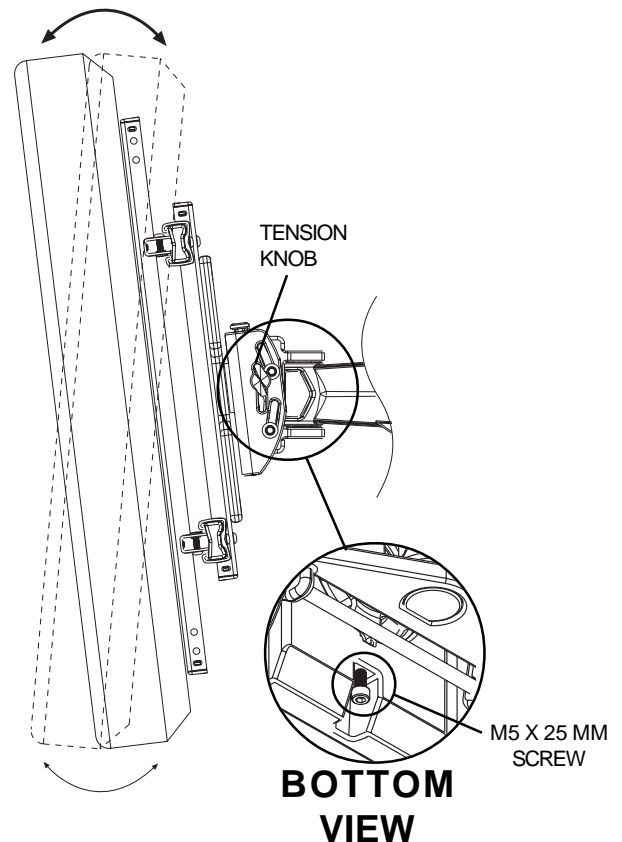
- 6 FOR PORTRAIT OR LANDSCAPE SCREEN ORIENTATION:** Remove two M5 x 20 mm screws and brake pad. Lift screen out of tilt bracket. Rotate screen into portrait or landscape position. Insert adapter plate puck into the tilt bracket slot as shown in fig. 5.1. Attach brake pad to tilt bracket using two M5 x 20 mm screws as shown in Detail 5. Tighten all (M5 x 20 mm, M5 x 25 mm) screws.

TILT Adjustment: Adjust tension knob on side of mount to desired tension to enable tilt adjustment and balance your screen size and weight. Push or pull from top or bottom of screen to adjust tilt as shown. The tilt can be adjusted to a maximum of 10° forward or 5° backward. Retighten tension knob.

ROLL Adjustment: Rotate screen either 5° clockwise or counter-clockwise, level screen then tighten M5 x 25 mm screw using 4 mm allen wrench (N) as shown in bottom view.

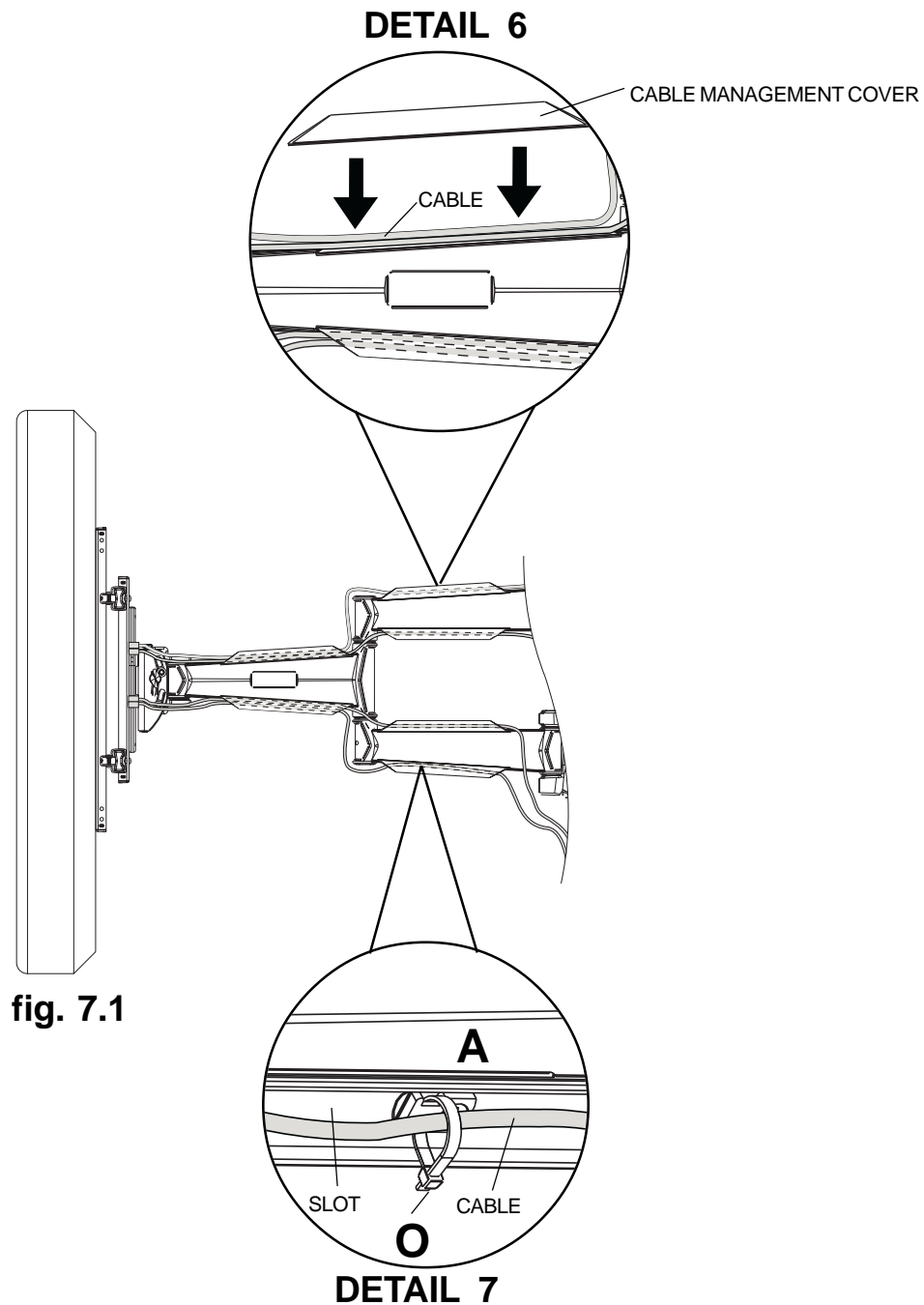
⚠ CAUTION

- Do not tighten screws with excessive force.
- Be careful not to pinch fingers when opening and closing mount from the wall.



Cable Management

- 7** **NOTE:** Make sure cables have enough slack to allow full movement of the arm.
- Run power cable through top or bottom of arm (**A**) and signal cable(s) through other side of arm in order to avoid interference with the signal. Lock cables into place by snapping cable covers onto mount. Screen may have to be moved for easy access.
- Optional:** If additional cable management is required use cable ties (**O**) as shown in detail 7.



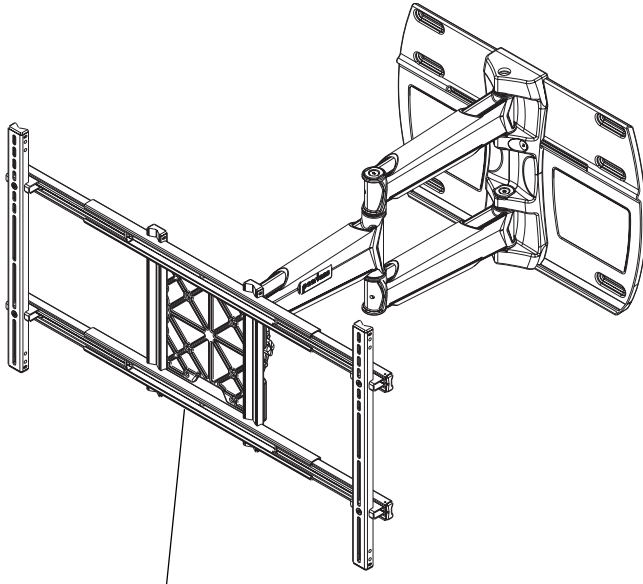
Instalación y ensamblaje: Soportes de pared de brazo articulador para pantallas planas de 32" a 71" - SmartMount™

El producto cuenta con una clasificación de UL para sostener pantallas de televisores de una gama de tamaños específicos y proporcionar una capacidad de carga de _____ de acuerdo con la tabla de abajo.

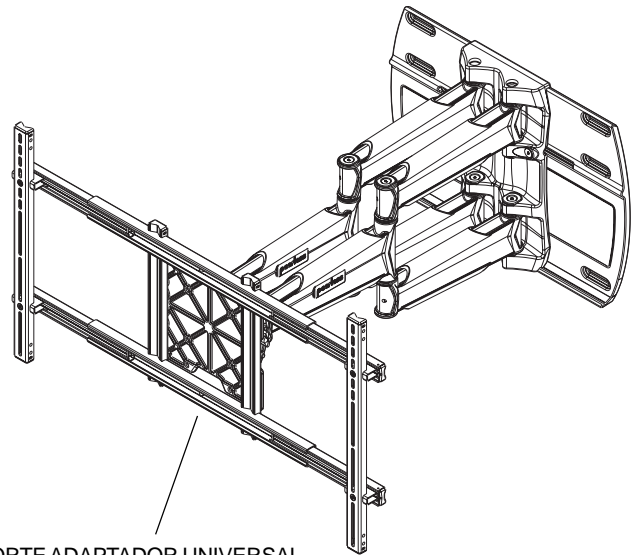
N.o de modelo	Gama de tamaño de las pantallas	Capacidad de carga máxima de UL
RTFPA50U, RTFPA50US, SA750P, SA750P-S, SA750PU, SA750PU-S	32"-50"	150 lbs (68 kg)
RTFPA63U, RTFPA63US, SA760PU, SA760PU-S	37"-63"	200 lbs (91 kg)
SA760P, SA760P-S	37"-71"	



Este producto lleva la marca de UL (Underwriters Laboratory). Debe ser instalado por un instalador profesional calificado.



EL SOPORTE ADAPTADOR UNIVERSAL SE INCLUYE CON LOS MODELOS RTFPA50U, RTFPA50US, SA750PU, SA750PU-S



EL SOPORTE ADAPTADOR UNIVERSAL SE INCLUYE CON LOS MODELOS RTFPA63U, RTFPA63US, SA760PU, SA760PU-S

Características:

- Sistema de estría y cubierta en U para un manejo elegante y sencillo de los cables
- Hasta 10.75" (7.75" en el caso de los modelos de brazo doble) de ajuste horizontal total para la colocación ideal de la pantalla
- Fácil ajuste de +15°/-5° de la inclinación con un solo toque
- Dos tapas semiperforadas removibles para un óptimo acceso eléctrico
- Tres puntos de giro con una rotación de hasta 180°

Nota: Lea la hoja de instrucciones completa antes de comenzar la instalación y el ensamblaje.

▲ ADVERTENCIA

- No comience a instalar su producto de Peerless hasta haber leído y entendido las instrucciones y las advertencias contenidas en la Hoja de Instalación. Si tiene alguna pregunta acerca de cualquiera de las instrucciones o las advertencias, llame a Servicio al Cliente de Peerless al 1-800-729-0307.
- Este producto sólo debe ser instalado por una persona que tenga una buena aptitud mecánica, que tenga experiencia en construcción básica de edificios y que entienda estas instrucciones en su totalidad.
- Asegúrese de que la superficie de apoyo sostendrá, con seguridad, la carga combinada del equipo y todos los fijadores y componentes.
- Nunca exceda la Capacidad Máxima de Carga de UL.
- Si va a instalar el producto en una pared con una construcción de montantes de madera, asegúrese de que los tornillos de montaje estén anclados en el centro de los montantes. Se recomienda utilizar un localizador de montantes de "borde a borde".
- Siempre cuente con la ayuda de un asistente o utilice un equipo mecánico de izar para levantar y colocar el equipo con más seguridad.
- Apriete los tornillos con firmeza, pero no en exceso. Apretarlos en exceso puede dañar los artículos y puede disminuir significativamente su fuerza de fijación. Lea las medidas de par torsor sugeridas en las partes indicadas de estas instrucciones.

Herramientas necesarias para el ensamblaje

- localizador de montantes (se recomienda uno de "borde a borde")
- destornillador phillips
- lápiz
- taladro
- broca de 3/16" para montantes de madera, broca de 5/16" para concreto
- llave de copa 7/16" o destornillador de puntas intercambiables de tornillos para madera
- nivel
- cinta métrica

Tabla de contenido

Lista de piezas	17, 18
Ajuste del brazo	19
Instalación en una pared con montantes de madera dobles	20
Instalación en una pared de concreto macizo o de bloques de hormigón de escorias	21
Instalación del soporte adaptador universal	22
Fijación de la placa adaptadora a pantallas con configuraciones de montaje VESA®	26
Instalación y desinstalación de la pantalla plana	27
Ajuste de la pantalla plana	27
Manejo de los cables	28

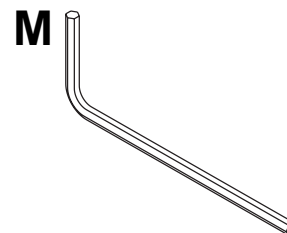
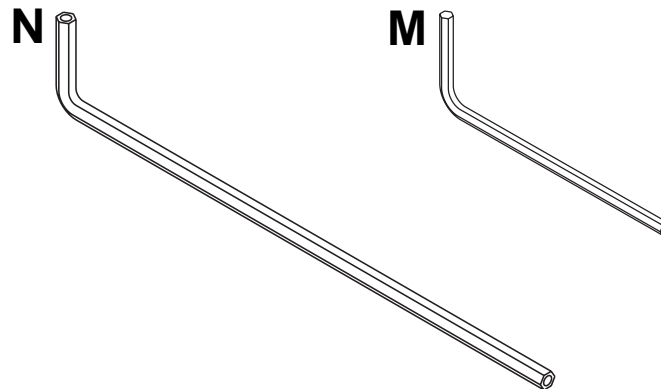
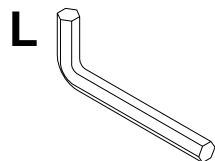
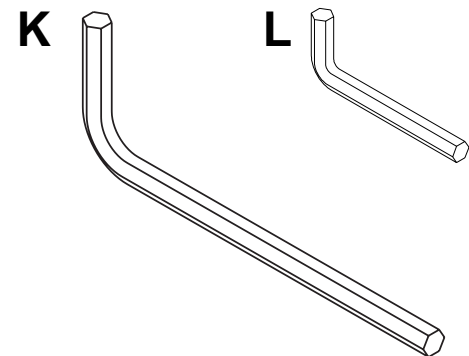
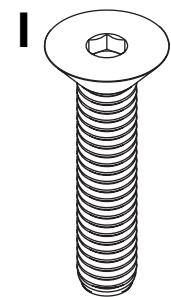
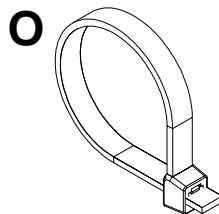
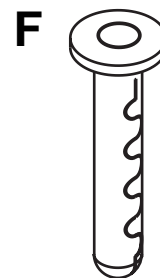
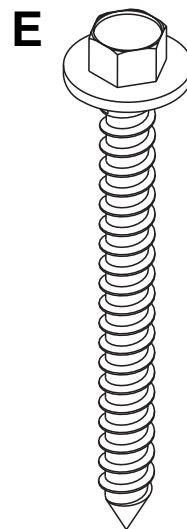
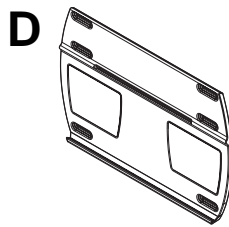
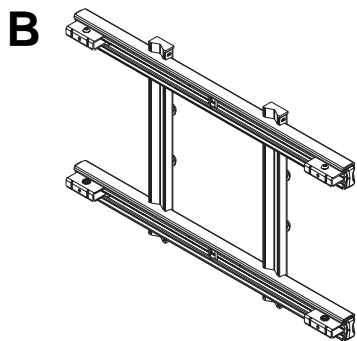
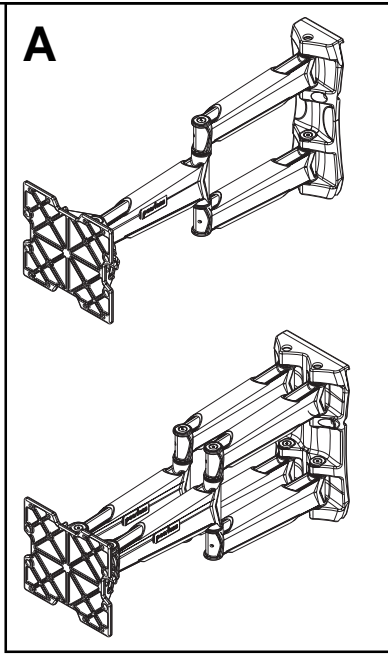
Para recibir servicio al cliente, llame al (800) 729-0307 o al (708) 865-8870.

SA750P, SA750P-S
 RTFPA50U, RTFPA50US,
 SA750PU, SA750PU-S
 SA760P, SA760P-S
 RTFPA63U, RTFPA63US,
 SA760PU, SA760PU-S

Antes de comenzar, asegúrese de que su producto contiene todas las piezas que se muestran.
 Las piezas pueden verse un poco distintas a la ilustración.

Lista de piezas

		Descripción	Cantidad	N.o de pieza	
				negra	plateada
X	X	A brazo (brazo único) (brazo doble)	1	201-0275 201-0276	201-0275-S 201-0276-S
	X	B soporte adaptador universal	1	201-P1367	201-C4367
	X	C soporte de la pantalla	2	201-P1396	201-C4396
X	X	D placa de pared	1	201-0244	201-0244-S
X	X	E tornillo para madera de 5/16 x 3"	6	520-1243	520-2243
X	X	F anclaje alligator®	6	590-1025	590-1025
	X	G tornillo de cabeza hueca M10 x 15 mm	4	520-9262	520-9534
	X	H tornillo phillips de cabeza plana M5 x 10 mm	4	520-1573	520-2573
X	X	I tornillo de cabeza hueca plana de 5/16 -18 x 1.75"	2	520-1332	520-2332
X	X	J tuerca de 5/16"-18	2	530-1034	530-2034
	X	K llave allen de 6 mm	1	560-9716	560-9716
X	X	L llave allen de 3/16"	1	560-9713	560-9713
	X	M llave allen de 3 mm	1	560-0073	560-0073
X	X	N llave allen de 4 mm	1	560-9646	560-9646
X	X	O sujetacables	12	590-1168	590-1168



Fijaciones para los soportes adaptadores



M4 x 12 mm (6)
(504-9013)



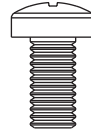
M4 x 25 mm (4)
(504-1015)



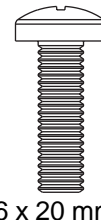
M5 x 12 mm (4)
(520-1027)



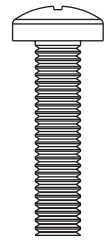
M5 x 25 mm (4)
(520-9543)



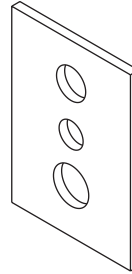
M6 x 12 mm (4)
(520-1128)



M6 x 20 mm (4)
(520-9402)



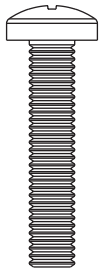
M6 x 25 mm (4)
(520-1208)



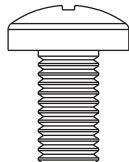
arandela múltiple (6)
(580-1036)



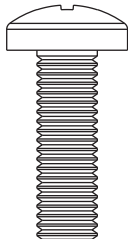
diámetro interior .22" (4)
(540-1057)



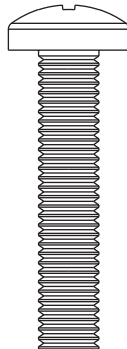
M6 x 30 mm (4)
(510-9109)



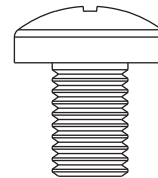
M8 x 16 mm (6)
(520-9257)



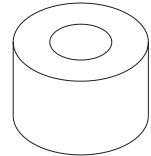
M8 x 25 mm (4)
(520-1031)



M8 x 40 mm (4)
(520-1136)



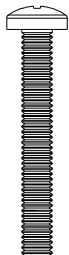
M10 x 15 mm (4)
(520-9262)
NEGRO
(520-9534)
PLATEADO



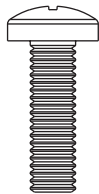
diámetro interior .34" (4)
(540-1059)



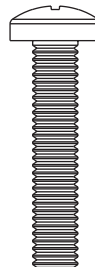
M4 x 20 mm (4)
(504-9020)
NEGRO
(504-2020)
PLATEADO



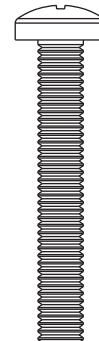
M4 x 30 mm (4)
(520-1133)
NEGRO
(520-2133)
PLATEADO



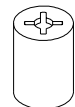
M6 x 20 mm (4)
(520-9402)
NEGRO
(520-2407)
PLATEADO



M6 x 30 mm (4)
(510-9109)
NEGRO
(510-2109)
PLATEADO



M6 x 40 mm (4)
(520-1584)
NEGRO
(520-1207)
PLATEADO



ID.128" (4)
(590-5005)
NEGRO
(590-5003)
PLATEADO

Ajuste del brazo en la placa de pared

1 **NOTA:** Si la placa de pared (D) se va a instalar en la superficie de una pared con montantes de madera, las ranuras de la placa de pared (D) se tienen que alinear con los montantes.

Señale el punto donde quiere que quede el centro de la pantalla (como se maestro en paso 2), como se muestra en la figura 1.1, y enganche el brazo a la placa de pared (D), como se muestra en la figura 1.2.

Con una llave allen de 3/16" (L), fije el brazo (A) a la placa de pared (D) utilizando dos tornillos de cabeza hueca plana de 5/16"-18 x 1.75" (I) y dos tuercas de 5/16"-18 (J), como se muestra en la figura 1.3. **NOTA: AMBOS tornillos de cabeza hueca plana de 5/16"-18 x 1.75" (I) tienen que estar fijados con firmeza a la placa de pared con las tuercas de 5/16"-18 (J). No ajuste el brazo si la pantalla ya se ha fijado al mismo.**

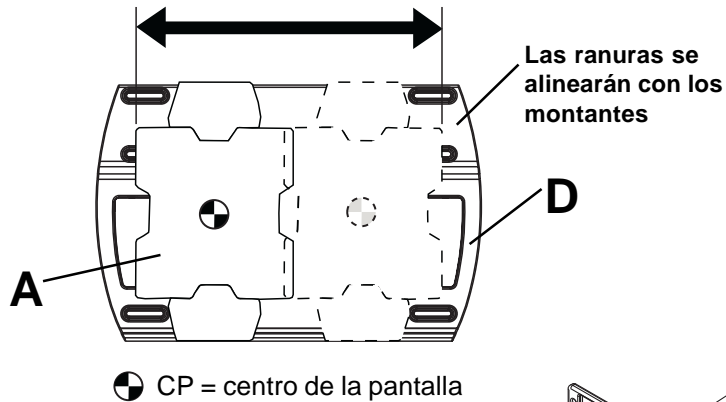


fig. 1.1

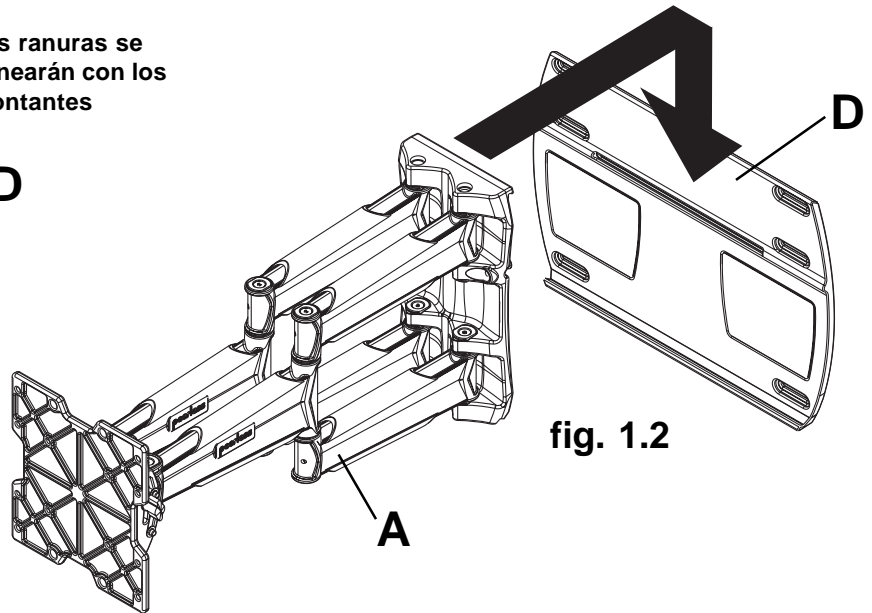


fig. 1.2

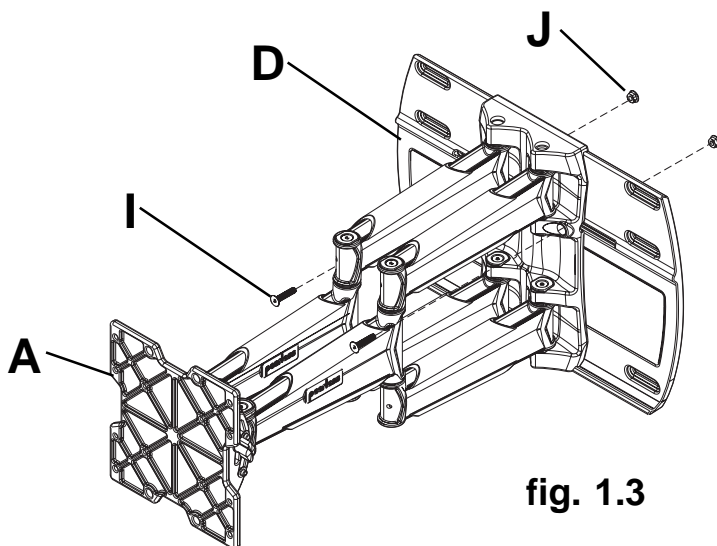


fig. 1.3

Instalación en una pared con montantes de madera dobles

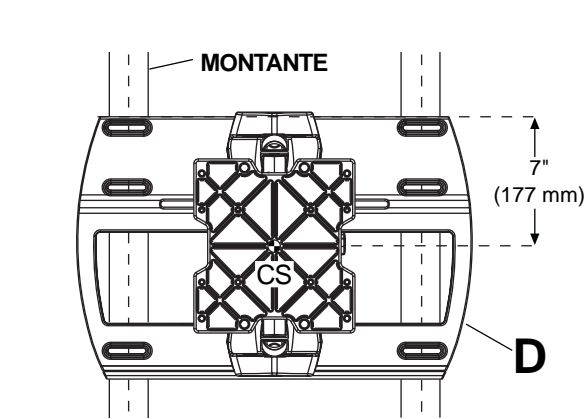
⚠ ADVERTENCIA

- El instalador tiene que asegurarse de que la superficie de apoyo sostendrá, con seguridad, la carga combinada del equipo y todos los fijadores y componentes.
- Apriete los tornillos de madera de manera que la placa de pared se fije firmemente, pero no en exceso. Apretarlos en exceso puede dañar los tornillos y puede disminuir significativamente su fuerza de fijación.
- Nunca apriete a más de 80 pulg-lb (9 N•m).
- Asegúrese de que los tornillos de montaje estén anclados en el centro del montante. Se recomienda utilizar un localizador de montantes de "borde a borde".
- Los accesorios para la instalación que se proveen son para fijar el soporte a montantes de madera a través de tabique de yeso-cartón o yeso de grosor estándar. Los instaladores son responsables de suministrar los accesorios necesarios para otros tipos de instalaciones.

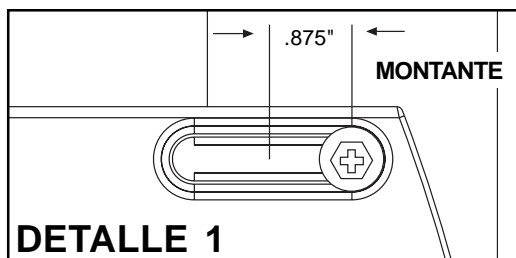
2 Señale y marque, con un lápiz, el punto donde quiere que quede el centro de la pantalla en la pared. Mida 7" (177 mm) más arriba del punto donde quiere que quede el centro de la pantalla y trace una línea horizontal para determinar dónde se colocará la plantilla de la placa de pared. La placa de pared (**D**) se puede instalar en dos montantes que tengan una separación de 16". Utilice un localizador de montantes para localizar los bordes de los montantes. Se recomienda utilizar un localizador de montantes de "borde a borde". Tomando los bordes como punto de referencia, trace una línea vertical por el centro de cada montante. Alinee la parte superior de la plantilla (la parte superior de la placa de pared) con la línea horizontal y alinee las ranuras de la plantilla de la placa de pared con las líneas que trazó por el centro de los montantes. Nivele la plantilla (la placa de pared) en la pared y marque el centro de los seis agujeros de montaje y asegúrese de que los agujeros de montaje estén sobre las líneas que trazó por el centro de los montantes. Taladre seis agujeros piloto de 3/16" (5 mm) de diámetro y 3" (76 mm) de profundidad. Nivele y fije la placa de pared (**D**) en la pared utilizando seis tornillos para madera (**E**) de 5/16 x 3" (**E**), como se muestra en la figura 2.2.

NOTA: La placa (ranura) de pared se puede ajustar a .875" en cualquier dirección partiendo del centro del tornillo para madera (**E**) y del montante, como se muestra en el detalle 1.

Pase al paso 3.



CP = centro de la pantalla **fig. 2.1**



DETALLE 1

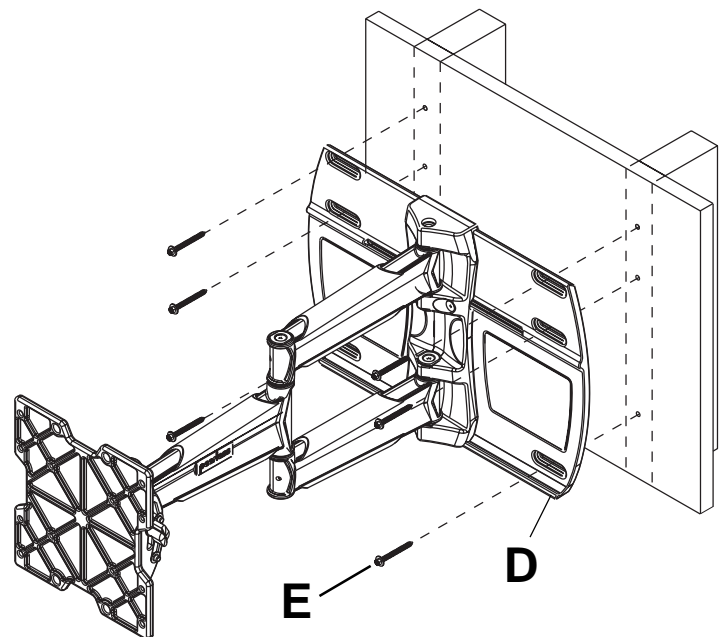


fig. 2.2

Instalación en una pared de concreto macizo o de bloques de hormigón de escorias

⚠ ADVERTENCIA

- Cuando vaya a instalar soportes de pared de Peerless en bloques de hormigón de escorias, asegúrese de que cuente con una capa de concreto de un grosor mínimo de 1-3/8" en el agujero, que pueda usar para los anclajes para concreto. ¡No taladre en juntas de argamasa! Asegúrese de hacer la instalación en la parte sólida del bloque, por lo general, a un mínimo de 1" del extremo del bloque. Los bloques de hormigón de escorias tienen que cumplir las especificaciones de la ASTM C-90. Se sugiere utilizar un taladro eléctrico convencional a baja velocidad para hacer el agujero en vez de un taladro percutor para no perforar el fondo del agujero al entrar en un vacío o una cavidad.
- El concreto tiene que tener una densidad mínima de 2,000 psi. Es posible que un concreto de menos densidad no sostenga el anclaje para concreto.
- Asegúrese de que la superficie de apoyo sostendrá, con seguridad, la carga combinada del equipo y todos los fijadores y componentes.

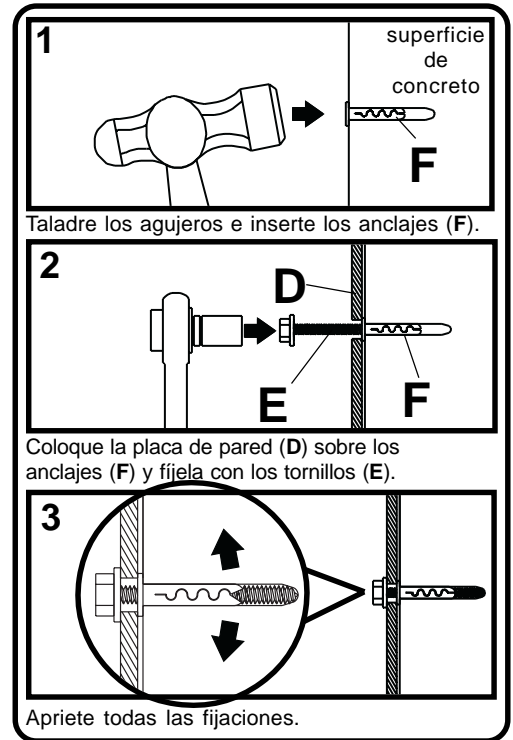
- 2** Señale y marque, con un lápiz, el punto donde quiere que quede el centro de la pantalla en la pared. Mida 7" (177 mm) más arriba del punto donde quiere que quede el centro de la pantalla y trace una línea horizontal para determinar dónde se colocará la plantilla de la placa de pared. Alinee la parte superior de la plantilla (la parte superior de la placa de pared) con la línea horizontal. Nivele la plantilla (la placa de pared) en la pared y marque el centro de los seis agujeros de montaje. Taladre seis agujeros de 5/16" (8 mm) de diámetro y 3" (76.2 mm) de profundidad. Inserte los anclajes (F) en los agujeros a ras con la pared, como se muestra (a la derecha). Coloque la placa de pared (D) sobre los anclajes y fjela utilizando seis tornillos de 5/16 x 3" (E), como se muestra en la figura 2.3. Nivele la placa de pared y apriete todas las fijaciones.

⚠ ADVERTENCIA

- Apriete los tornillos de manera que la placa de pared se fije firmemente, pero no en exceso. Apretarlos en exceso puede dañar los tornillos y puede disminuir significativamente su fuerza de fijación.
- Nunca apriete a más de 80 pulg-lb (9 N•m).

⚠ ADVERTENCIA

- Siempre fije los anclajes para concreto directamente en la pared que sostiene la carga.
- Nunca fije los anclajes para concreto a una pared de concreto recubierta con yeso, tabique de yeso-cartón u otro material de acabado. Si es inevitable hacer la instalación en una superficie de concreto recubierta con una superficie de acabado, la superficie de acabado tiene que ser escariada, como se muestra abajo. Asegúrese de que los anclajes para concreto no se separen del concreto cuando apriete los tornillos. Si la capa de yeso o tabique de yeso-cartón tiene un grosor mayor de 5/8", el instalador tiene que suministrar las fijaciones especiales. (No evaluado por UL).



VISTA EN CORTE

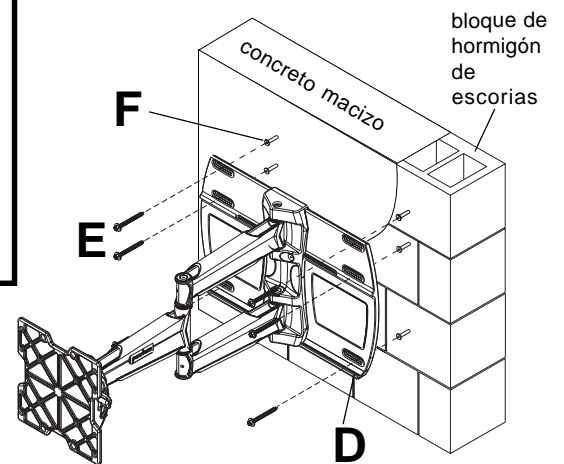
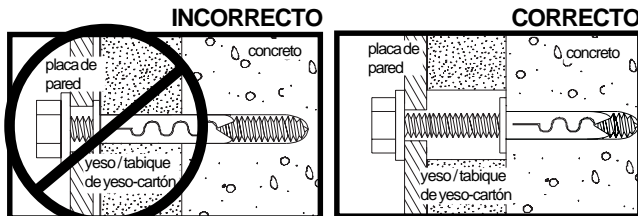
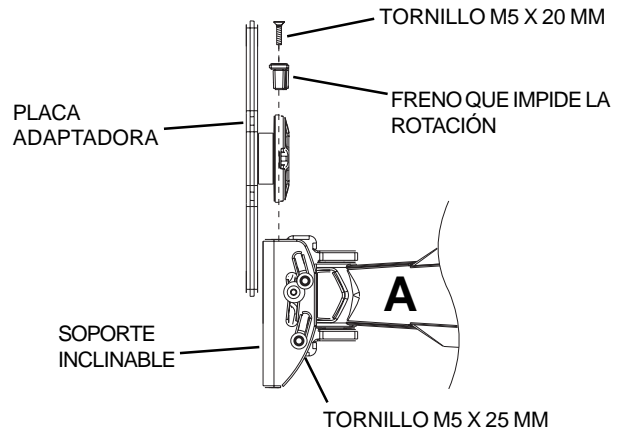


fig. 2.3

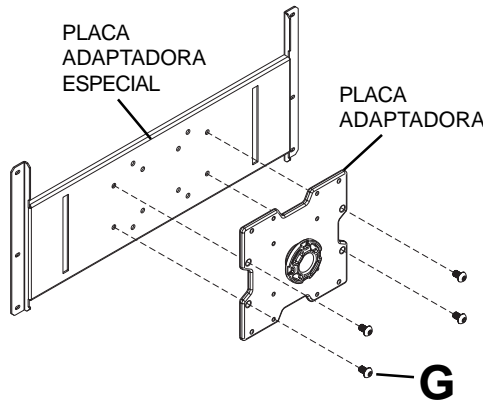
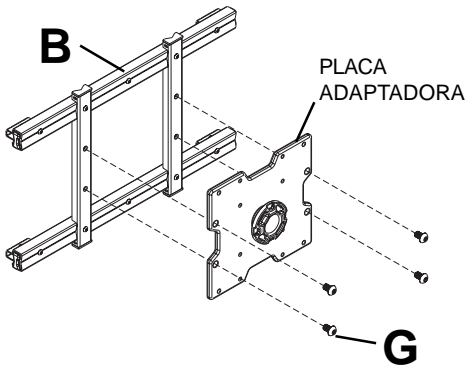
- 3** Quite los dos tornillos M5 x 20 mm del freno que impide la rotación. Levante la placa adaptadora y quítela del soporte inclinable, como se muestra.

NOTA: Es posible que tenga que dar algunas vueltas al tornillo M5 x 25 mm para aflojarlo y poder quitar el soporte adaptador utilizando una llave allen de 4 mm (N).

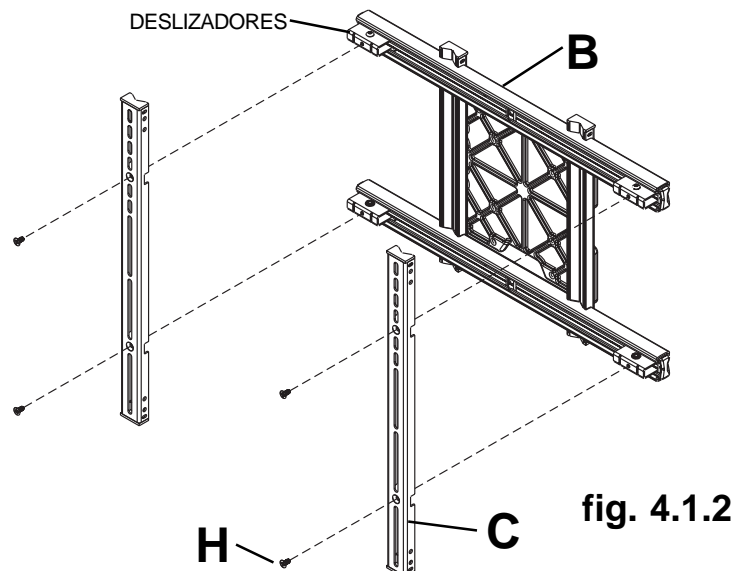
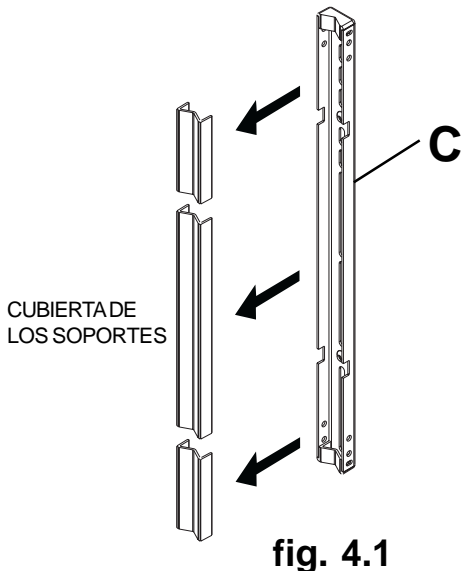


Instalación del soporte adaptador universal a la pantalla

- 4** **NOTA:** Si la pantalla de su televisor tiene una de las configuraciones de agujeros de montaje de VESA, pase a la página 26. Siguiendo la configuración de agujeros de montaje que se muestra en el detalle 2, fije la placa adaptadora al soporte adaptador universal (B) o a la placa adaptadora especial utilizando cuatro tornillos M10 x 15 mm (G), como se muestra. Apriete los tornillos utilizando una llave allen de 6 mm (K).



- 4-1** Quite las cubiertas de los soportes de la pantalla (C), como se muestra en la figura 4.1. Fije dos soportes para la pantalla (C) a los deslizadores del soporte adaptador universal (B) utilizando cuatro tornillos phillips de cabeza plana M5 x 10 mm (H), como se muestra en la figura 4.1.2.



Ajuste del Soporte Adaptador Universal

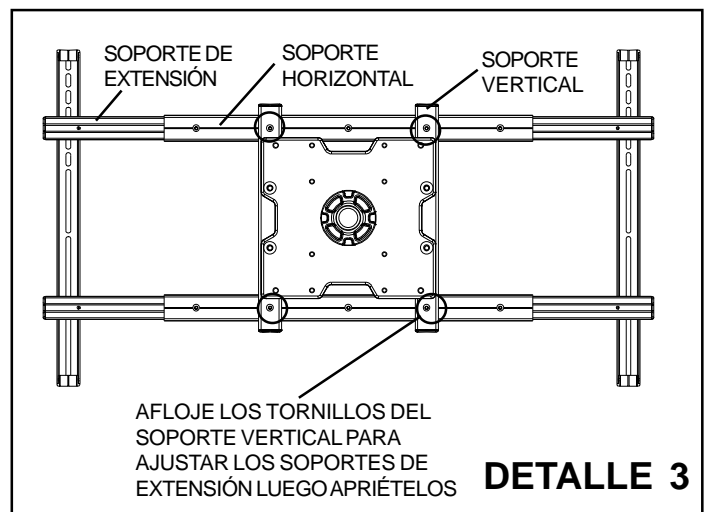
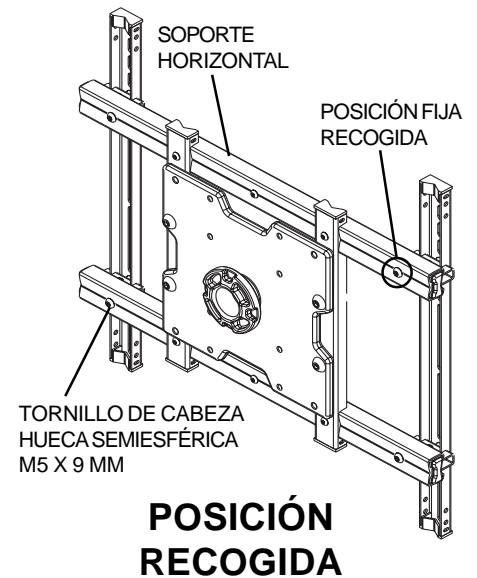
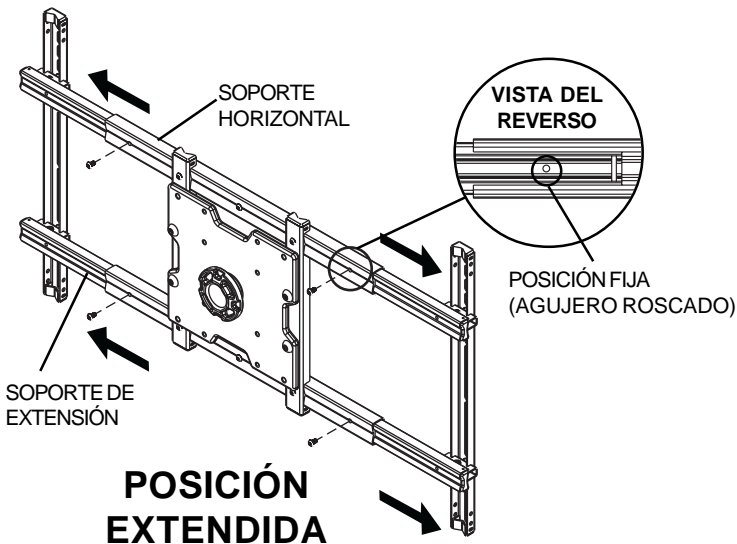
PRECAUCIÓN

- No apriete los tornillos con fuerza excesiva. Apretarlos en exceso puede dañar el soporte. Apriete los tornillos M5 x 9 mm del soporte vertical y los tornillos de cabeza hueca semiesférica M5 x 9 mm a un máximo de 35 pulg-lb (3.95 N•m) de par torsor.

4-2 El soporte adaptador universal tiene dos posiciones fijas en las que se detiene y traba los soportes de extensión, ya sea en la posición recogida (que se muestra a la derecha) o en la posición extendida (que se muestra abajo) utilizando los tornillos M5 x 9 mm.

Si la distancia entre los agujeros de montaje de la parte trasera de la pantalla es de 17.5" (445 mm) de ancho o menos, mantenga el soporte adaptador universal en la posición recogida. *Pase al paso 4-3.*

Si la distancia entre los agujeros de montaje de la parte trasera de la pantalla es de más de 17.5" (445 mm) de ancho, quite los cuatro tornillos de cabeza hueca semiesférica M5 x 9 mm del soporte adaptador universal utilizando una llave allen de 3 mm (**M**), como se muestra abajo. **NOTA:** Es posible que tenga que darles una vuelta completa a los cuatro tornillos M5 x 9 mm del soporte vertical, como se muestra en el detalle 3, para aflojarlos y ajustar los soportes de extensión. Extienda ambos soportes de extensión hasta la posición fija (el agujero roscado se muestra en la vista del reverso abajo). Fije el soporte de extensión al soporte horizontal apretando totalmente los tornillos de cabeza hueca semiesférica M5 x 9 mm en las posiciones fijas de los soportes de extensión utilizando una llave allen de 3 mm (**M**), como se muestra en la vista del reverso. Vuelva a apretar los tornillos M5 x 9 mm del soporte vertical, como se muestra en el detalle 3.



- 4-3** Utilizando una llave allen de 3 mm (M), afloje los tornillos de cada deslizador del soporte adaptador universal hasta que pueda mover los soportes de la pantalla (C) con facilidad por el soporte de extensión.

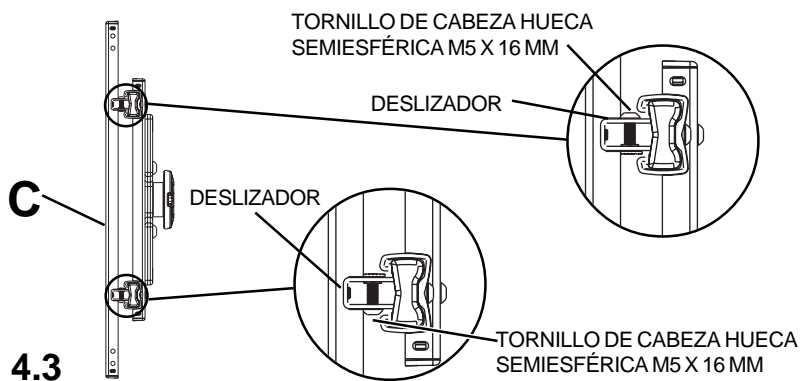


fig. 4.3

⚠ ADVERTENCIA

- Apriete los tornillos de manera que los soportes de la pantalla se fijen con firmeza. No los apriete con fuerza excesiva. Apretar los tornillos en exceso puede causarles daño por forzarlos y puede disminuir significativamente su fuerza de fijación y podría causar el desprendimiento de las cabezas de los tornillos. Apriete los tornillos a un máximo de 40 pulg-lb (4.5 N•m) de par torsor.
- Si no se les da tres vueltas completas a los tornillos en los insertos de la pantalla o si los tornillos topan fondo y el soporte todavía no está firme, se podría dañar la pantalla o el producto podría no funcionar bien.

NOTA: Refiérase a la página 23 para ver cómo ajustar los soportes de extensión del soporte adaptador universal (B).

- 4-4** Para no rayar la pantalla, coloque un trapo sobre una superficie plana y nivelada que sostenga el peso de la pantalla. Coloque la pantalla boca abajo. Refiérase a las instrucciones del fabricante de la pantalla para quitar cualquier perilla, base, cubierta o tornillo de la parte posterior de la pantalla para prepararla para instalarle los soportes de la pantalla (C). Ajuste los soportes de la pantalla (C) para que se alineen con los agujeros de montaje de la pantalla, como se muestra en la figura 4.4. Escoja los tornillos pequeños, medianos, grandes o extra grandes de las fijaciones identificadas y clasificadas en las divisiones del empaque plástico y luego fije los soportes de la pantalla (C) siguiendo la figura 4.5 o la 4.6 en la página 25. Vuelva a apretar los tornillos M5 x 16 mm del deslizador, como se muestra en el detalle 4.3.

NOTA: Siempre se tienen que usar los agujeros superiores y los inferiores para la instalación de los soportes de la pantalla. También se deben usar los agujeros centrales en los casos en los que las fijaciones y las pantallas lo permitan. Verifique que todos los agujeros estén debidamente alineados y luego apriete los tornillos utilizando un destornillador phillips.

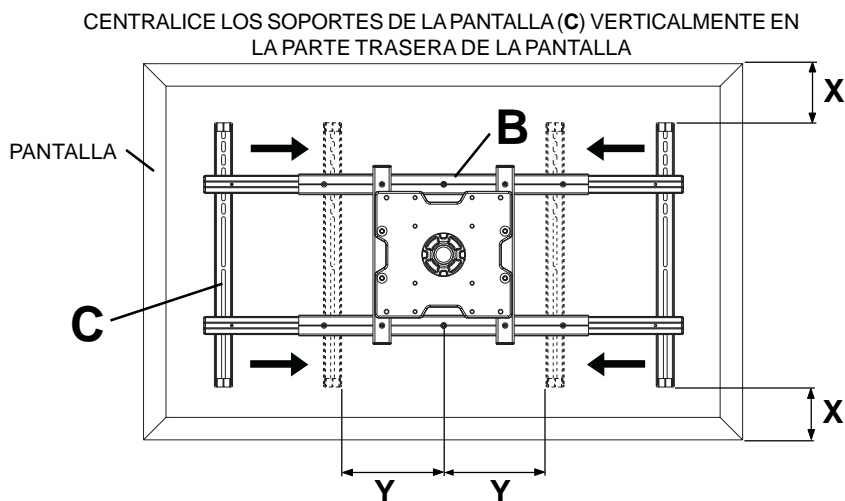


fig. 4.4

NOTA: Las dimensiones "X" deben ser iguales.
Las dimensiones "Y" deben ser iguales.

ARANDELA MÚLTIPLE

- AGUJERO MEDIANO PARA TORNILLOS M5
- AGUJERO PEQUEÑO PARA TORNILLOS M4
- AGUJERO GRANDE PARA TORNILLOS M6

NOTAS:

- Use siempre las arandelas múltiples para fijar los soportes de la pantalla (C) a la pantalla cuando use los tornillos pequeños, medianos o grandes. No se necesita la arandela múltiple si usa los tornillos extra grandes (M8).
- Utilice el agujero correspondiente de la arandela múltiple que sea del mismo tamaño del tornillo, como se muestra.

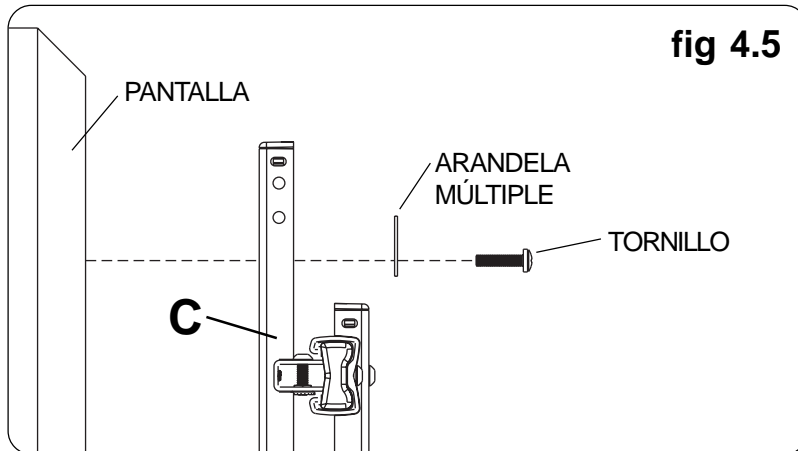
NOTA: En el caso de los televisores que tienen la **parte posterior plana**, pase al paso 4-5. En el caso de los televisores que tienen la **parte posterior abultada o empotrada**, pase al paso 4-6.

Instalación de un televisor que tiene la parte posterior plana

4-5 Comience con uno de los tornillos más cortos, enrósquelo, con la mano, a través de la arandela múltiple y el soporte de la pantalla (C) a la parte posterior de la pantalla, como se muestra abajo. El tornillo tiene dar, por lo menos, tres vueltas completas dentro del agujero de montaje y debe quedar ajustado en su lugar. No apriete los tornillos en exceso. Si el tornillo no puede dar tres vueltas completas al entrar en la parte posterior de la pantalla, seleccione un tornillo más largo de las fijaciones identificadas y clasificadas en las divisiones del empaque plástico. Siga el mismo procedimiento con los agujeros de montaje restantes, nivele los soportes de la pantalla y apriete los tornillos. Inserte las cubiertas de los soportes en la parte posterior de los soportes de la pantalla (C), como se muestra en la figura 4.1 en la página 22.

NOTA: Es posible que no necesite usar los espaciadores, dependiendo del tipo de pantalla.

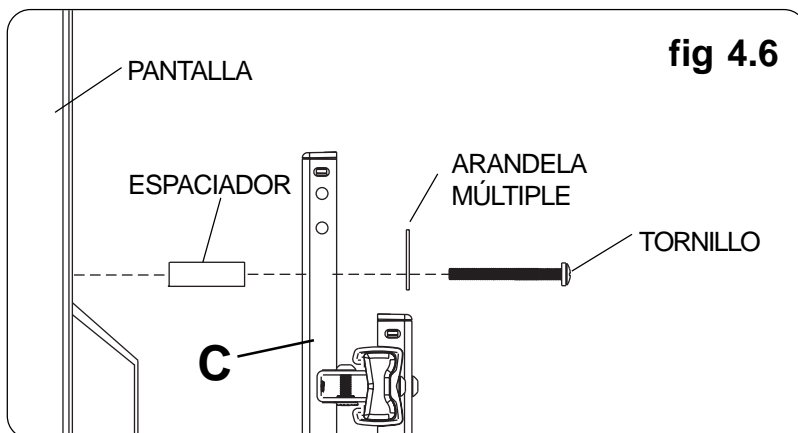
Si tiene alguna pregunta, por favor, llame a Servicio al Cliente de Peerless al **1-800-865-2112**. Acceda a nuestra página Web en www.peerlessmounts.com/unl para saber cuáles fijaciones debe utilizar con la pantalla de su televisor.



Instalación de un televisor que tiene la parte posterior abultada o empotrada

4-6 Comience con uno de los tornillos más largos, enrósquelo, con la mano, a través de la arandela múltiple, los soportes de la pantalla (C) y el espaciador, en ese orden, a la parte posterior de la pantalla, como se muestra abajo. El tornillo tiene dar, por lo menos, tres vueltas completas dentro del agujero de montaje y debe quedar ajustado en su lugar. No apriete los tornillos en exceso. Si el tornillo no puede dar tres vueltas completas al entrar en la parte posterior de la pantalla, seleccione un tornillo más largo de las fijaciones identificadas y clasificadas en las divisiones del empaque plástico. Siga el mismo procedimiento con los agujeros de montaje restantes, nivele los soportes de la pantalla y apriete los tornillos. Inserte las cubiertas de los soportes en la parte posterior de los soportes de la pantalla (C), como se muestra en la figura 4.1 en la página 22.

Si tiene alguna pregunta, por favor, llame a Servicio al Cliente de Peerless al **1-800-865-2112**. Acceda a nuestra página Web en www.peerlessmounts.com/unl para saber cuáles fijaciones debe utilizar con la pantalla de su televisor.



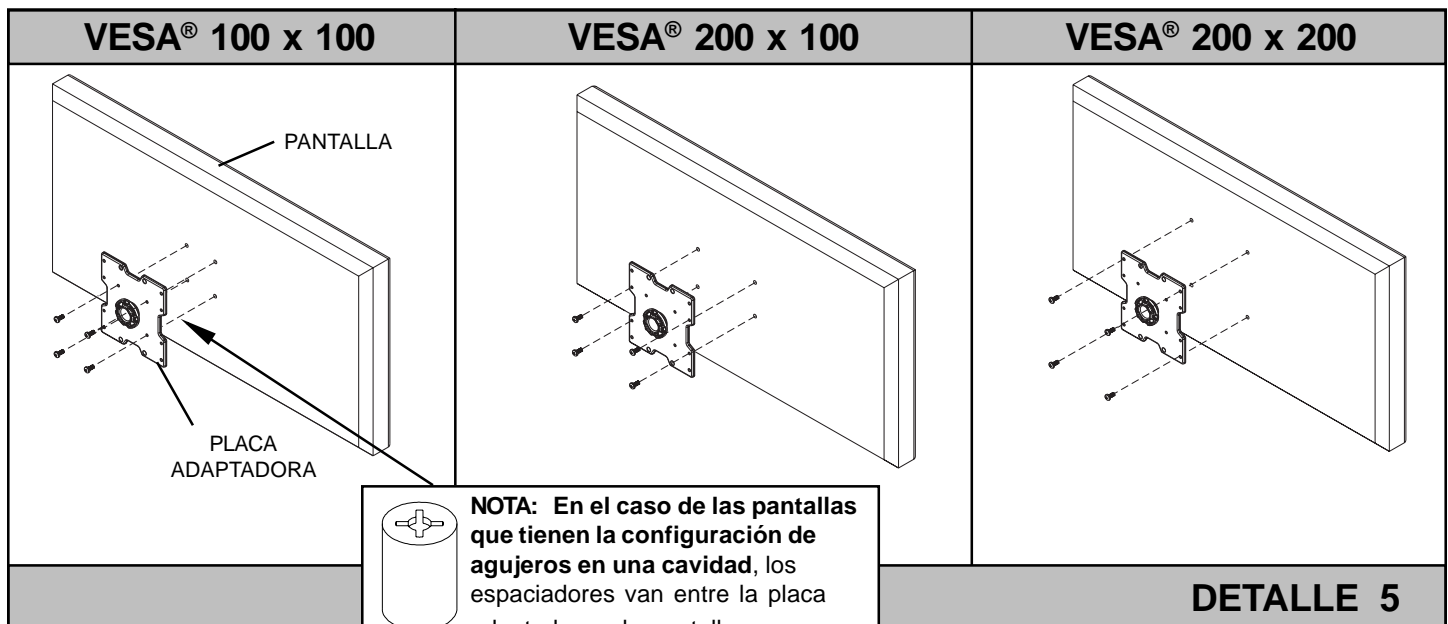
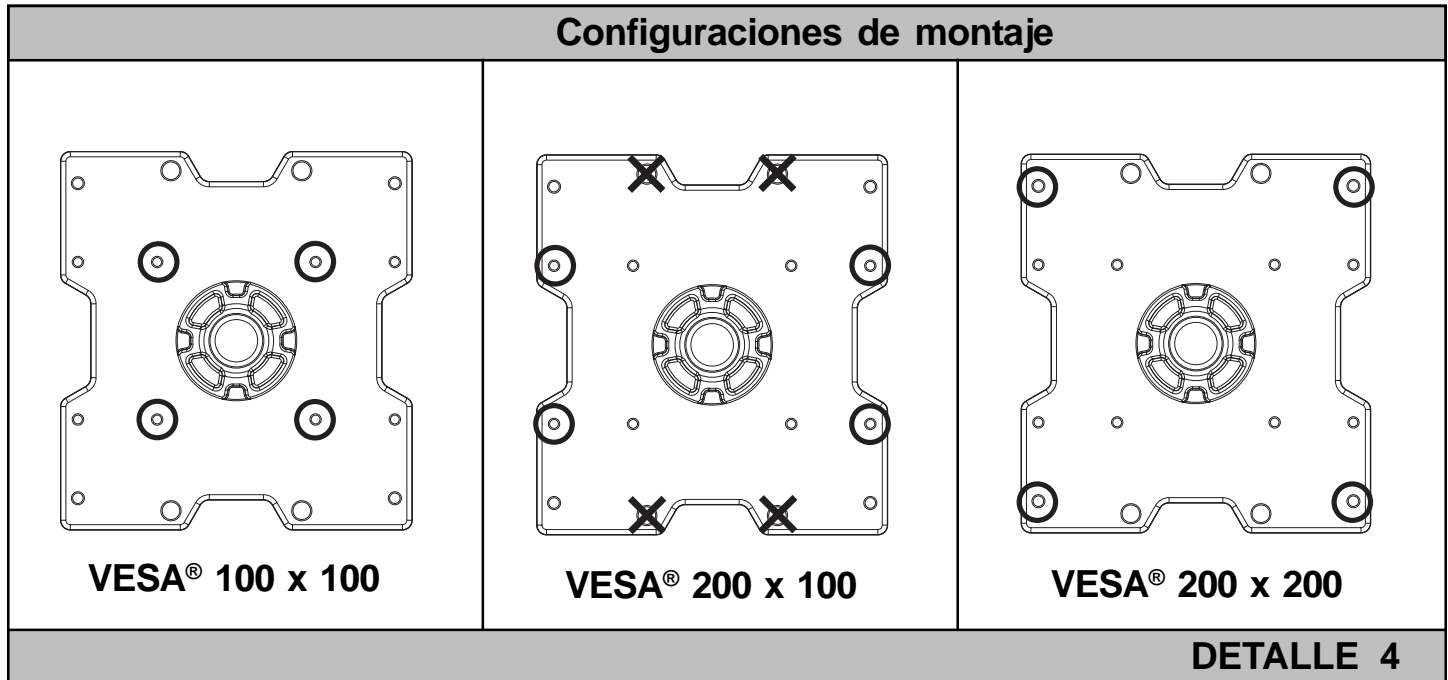
Fijación de la placa adaptadora a pantallas con configuraciones de montaje VESA®

- 4** Seleccione la configuración de montaje, como se muestra en el detalle 4, que corresponda a la configuración de montaje VESA. Comience con uno de los tornillos más cortos, enrósquelo, con la mano, a través de la placa adaptadora a la parte posterior de la pantalla, como se muestra en el detalle 5.

El tornillo tiene que dar, por lo menos, tres vueltas completas dentro del agujero de montaje y debe quedar ajustado en su lugar. No apriete los tornillos en exceso. Si el tornillo no puede dar tres vueltas completas al entrar en la parte posterior de la pantalla, seleccione un tornillo más largo de las fijaciones del empaque plástico. Haga lo mismo con los demás de agujeros de montaje. Apriete los tornillos firmemente.

NOTA: Es posible que no necesite usar los espaciadores, dependiendo del tipo de pantalla.

Si tiene alguna pregunta, por favor, llame a Servicio al Cliente de Peerless al **1-800-865-2112**. Acceda a nuestra página Web en www.peerlessmounts.com/unl para saber cuáles fijaciones debe utilizar con la pantalla de su televisor.

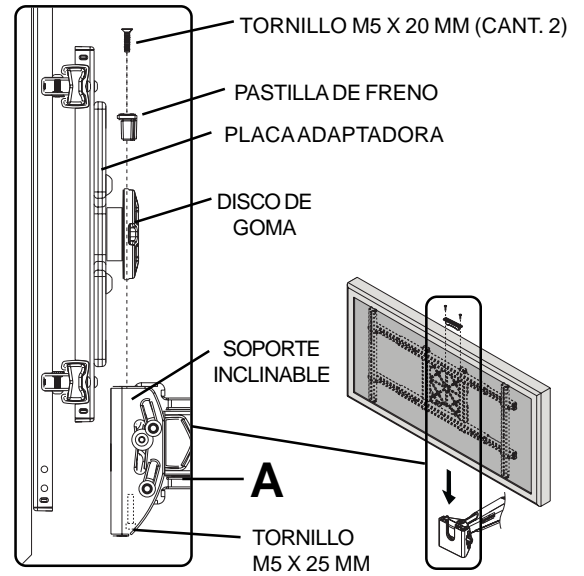


⚠ ADVERTENCIA

- No levante más peso del que puede manejar. Cuenten con otra persona que lo ayude o utilice un equipo mecánico de izar para levantar y colocar la pantalla con seguridad.
- No trabar la pastilla de freno con los dos tornillos M5 x 20 mm y no trabar el soporte inclinable con el tornillo M5 x 25 mm puede causar que la pantalla se desprenda de la unidad de soporte si le dan un golpe accidentalmente.

Instalación y desinstalación de la pantalla plana

- 5** Para fijar la pantalla al brazo (A), inserte el disco de goma de la placa adaptadora en la ranura del soporte adaptador, como se muestra en la figura 5.1. Fije la unidad de la pastilla de freno, como se muestra en el detalle 5, de manera que quede ajustada contra la placa adaptadora. Ajuste la posición de rotación de la placa adaptadora para nivelar la pantalla y luego trabe el disco de goma en la posición deseada apretando el tornillo M5 x 25 mm en lado inferior del soporte inclinable utilizando una llave allen de 4 mm (N). Apriete todos los tornillos (M5 x 20 mm y M5 x 25 mm). **NOTA:** Para quitar la pantalla del brazo (A), quite los dos tornillos M5 x 20 mm y la pastilla de freno. Levante la pantalla y quítela del soporte inclinable.



DETALLE 5

fig. 5.1

PRECAUCIÓN

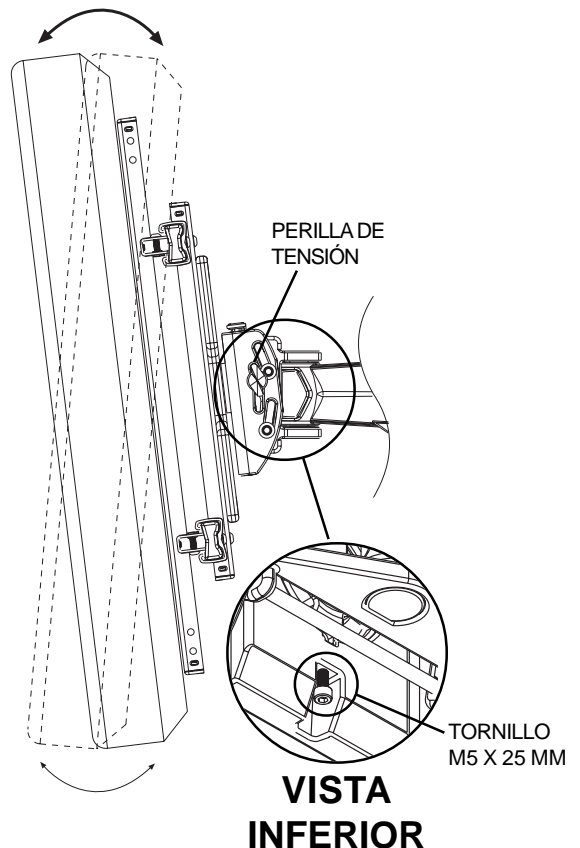
- No apriete los tornillos con fuerza excesiva. Apretarlos en exceso puede dañar el soporte. Apriete los tornillos M5 x 20 mm a un máximo de 20 pulg-lb (2.26 N•m) de par torsor.

Ajuste de la pantalla plana

- 6 PARA COLOCAR LA PANTALLA VERTICAL U HORIZONTALMENTE:** Quite los dos tornillos M5 x 20 mm y la pastilla de freno. Levante la pantalla y quítela del soporte inclinable. Rote la pantalla hasta que quede en una posición vertical u horizontal. Inserte el disco de goma de la placa adaptadora en la ranura del soporte adaptador, como se muestra en la figura 5.1. Fije la pastilla de freno al soporte inclinable utilizando dos tornillos M5 x 20 mm, como se muestra en el detalle 5. Apriete todos los tornillos (M5 x 20 mm y M5 x 25 mm).

Ajuste de la INCLINACIÓN: Ajuste la perilla de tensión que se encuentra en el lado del soporte al grado de tensión deseado para poder ajustar la inclinación y balancear el tamaño y el peso de la pantalla. Mueva la parte superior o la parte inferior de la pantalla tirando de la misma o empujándola para ajustar la inclinación como se muestra. La inclinación se puede ajustar hasta un máximo de 10° hacia delante o de 5° hacia atrás. Vuelva a apretar la perilla de tensión.

Ajuste de la ROTACIÓN: Rote la pantalla, ya sea 5° en el sentido de las manecillas del reloj o en el sentido contrario, nivele la pantalla y luego apriete el tornillo M5 x 25 mm utilizando una llave allen de 4 mm (N), como se muestra en la vista inferior.



VISTA INFERIOR

⚠ PRECAUCIÓN

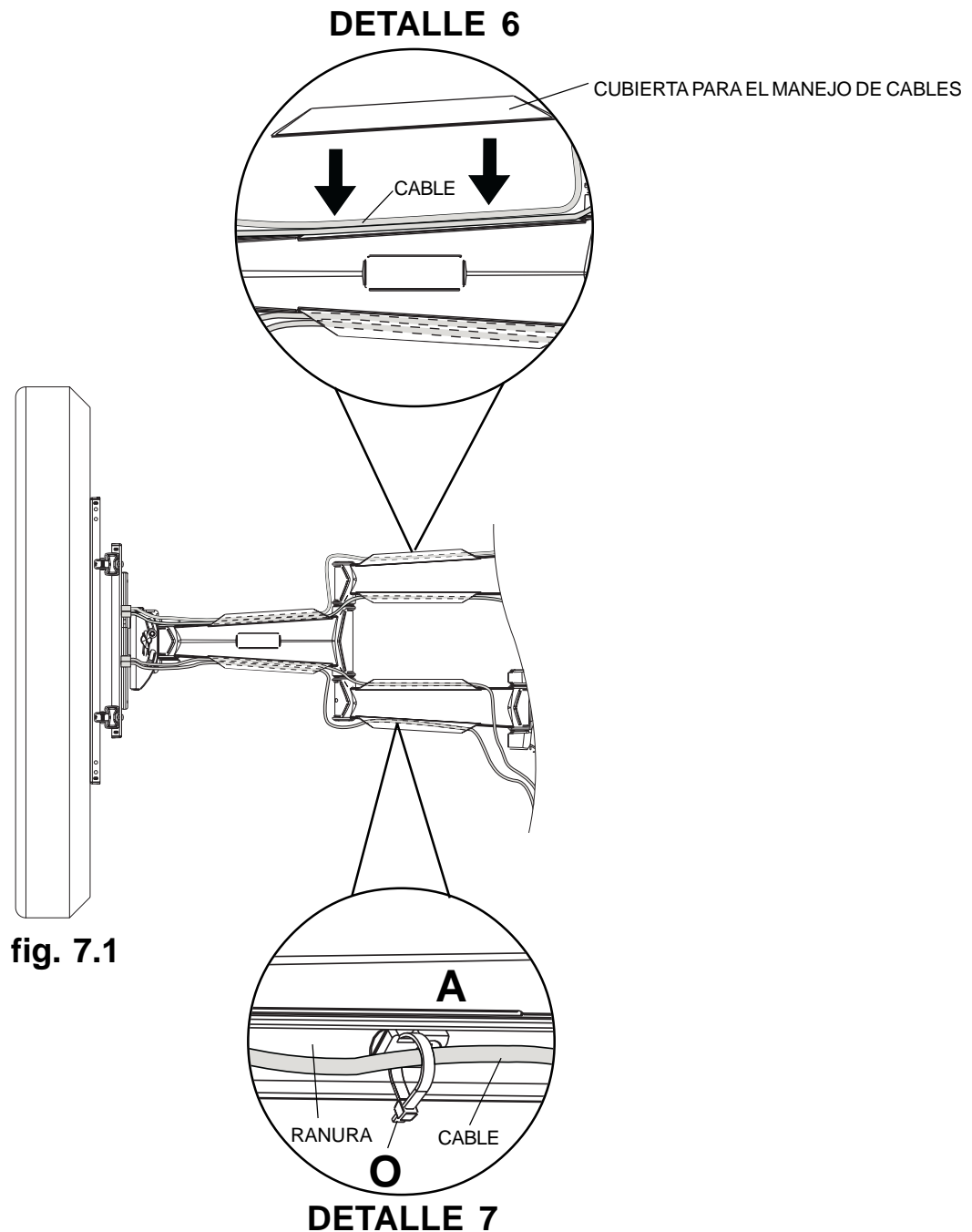
- No apriete los tornillos con fuerza excesiva.
- Tenga cuidado de no pincharse los dedos cuando extienda y recoja el soporte contra la pared.

Manejo de los cables

7 **NOTA:** Asegúrese de que los cordones no queden muy cortos para que el brazo se pueda mover completamente.

Pase el cordón de la electricidad por la parte superior o la parte inferior del brazo (**A**) y el cable o los cables de la señal por el otro lado del brazo para evitar que haya interferencia con la señal. Asegure los cordones en su lugar colocando las cubiertas de los cables, a presión, sobre el soporte. Es posible que necesite mover la pantalla para tener acceso.

Opcional: Si necesita acomodar más cables, utilice los sujetacables (**O**), como se muestra en el detalle 7.



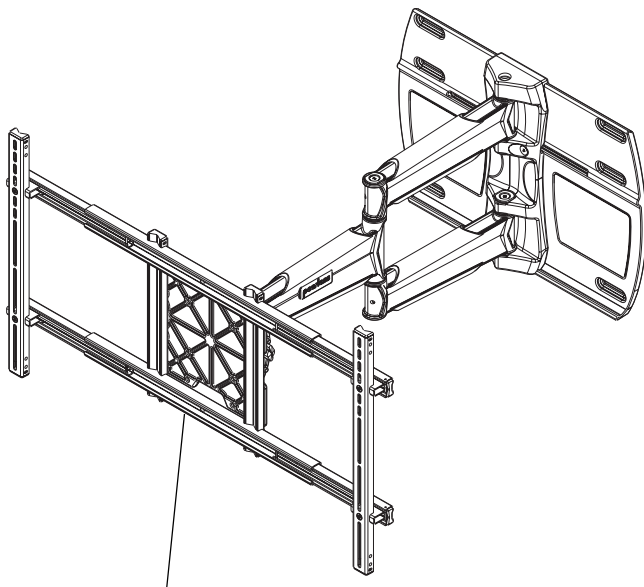
Installation et montage : Montants muraux pour écrans plats articulés SmartMount™ pour écrans de 32 à 71 pouces

Ce produit est homologué UL pour la plage de dimensions de l'écran et la capacité de charge selon le tableau ci-dessous.

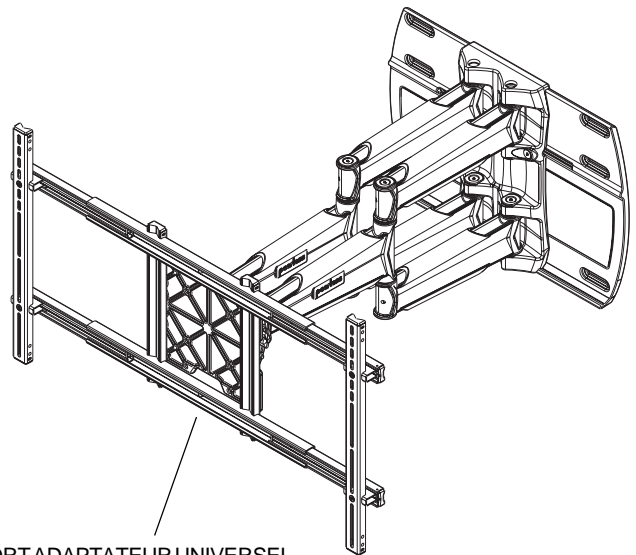


Ce produit est homologué UL. Il doit être installé par un installateur professionnel qualifié.

N° de modèle :	Plage de dimensions de l'écran	Capacité de charge UL maximale :
RTFPA50U, RTFPA50US,	32"-50"	150 lbs (68 kg)
RTFPA63U, SA760P, SA760P-S	37"-63" 37"-71"	200 lbs (91 kg)



SUPPORT ADAPTATEUR UNIVERSEL
INCLUS AVEC LES MODÈLES
RTFPA50U, RTFPA50US, SA750PU,
SA750PU-S



SUPPORT ADAPTATEUR UNIVERSEL
INCLUS AVEC LES MODÈLES
RTFPA63U, RTFPA63US, SA760PU,
SA760PU-S

Caractéristiques:

- Système à rainure en U et à chapeau en U pour une gestion des câbles simple et propre
- Réglage horizontal total jusqu'à 10,75 po (7,75 po) pour les modèles à deux bras pour un positionnement idéal de l'écran
- Inclinaison facile de +15°/-5° par simple pression
- Deux entrées défonçables pour un accès électrique optimal
- Trois points de pivot avec pivotement jusqu'à 180°

Remarque : Veuillez lire la feuille d'instructions au complet avant de commencer l'installation et le montage.

▲ AVERTISSEMENT

- Ne commencez pas à installer votre produit Peerless avant d'avoir lu et compris les instructions et les avertissements contenus dans cette fiche d'installation. Pour toute question concernant les instructions ou les avertissements, appelez le service à la clientèle Peerless au 1-800-729-0307.
- Ce produit ne doit être installé que par une personne ayant de bonnes aptitudes en mécanique, expérimentée en travaux de construction élémentaires et comprenant parfaitement ces instructions.
- Assurez-vous que la surface de support pourra soutenir sans danger la charge combinée de l'équipement, de toute sa visserie et de tous ses composants.
- Ne dépassez jamais la capacité de charge UL maximale.
- Pour le montage dans des murs à montants en bois, assurez-vous que les vis de montage sont ancrées au centre des montants. L'utilisation d'un localisateur de montants « bord à bord » est fortement recommandée.
- Pour lever et positionner l'équipement en toute sécurité, faites-vous toujours aider par une autre personne ou utilisez un matériel de levage mécanique.
- Serrez fermement les vis, mais sans excès. Un serrage excessif peut endommager les éléments et en réduire considérablement le pouvoir de maintien. Consultez les valeurs de couple suggérées aux endroits applicables dans ces instructions.

Outils requis pour le montage

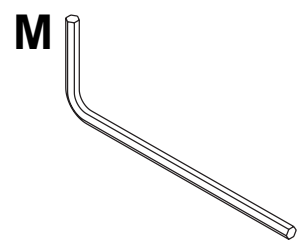
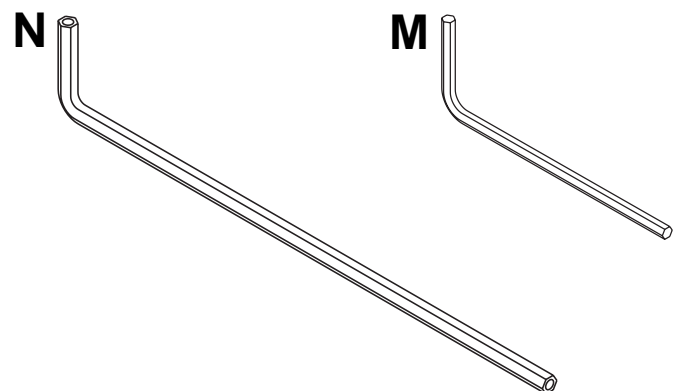
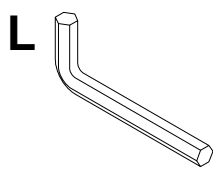
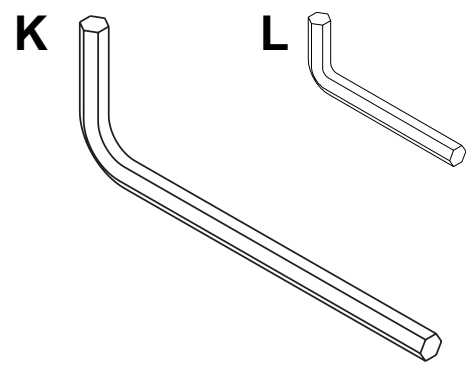
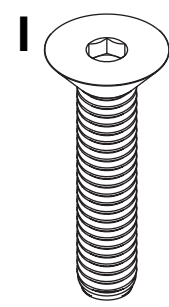
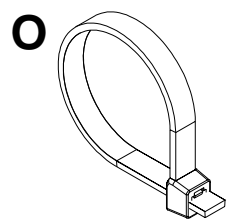
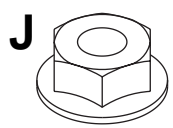
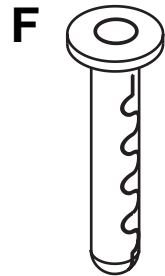
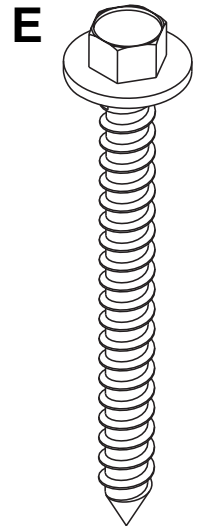
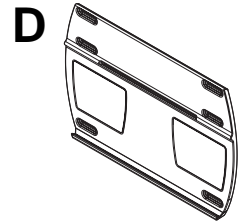
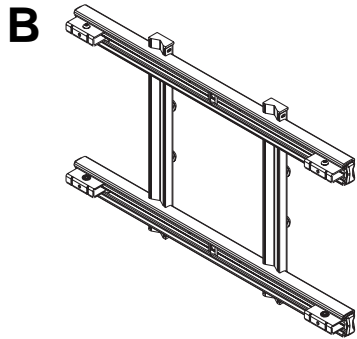
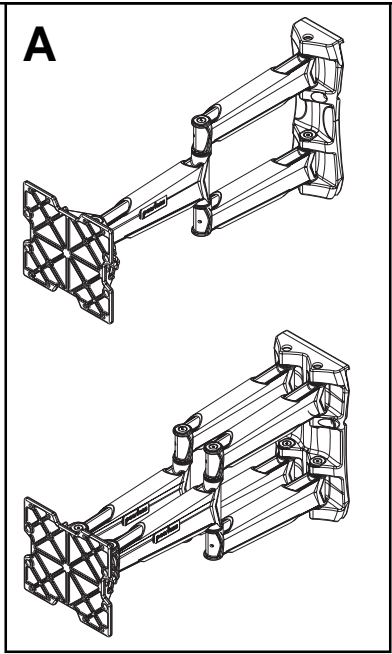
- localisateur de montants (un localisateur de montants « bord à bord » est recommandé)
- tournevis cruciforme
- crayon
- perceuse
- foret de 3/16 po pour les montants en bois, foret de 5/16 po pour le béton
- clé à douille ou mandrin de 7/16 po pour les vis à bois
- niveau
- mètre

Table des matières

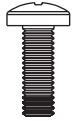
Liste des pièces	31,32
Réglage du bras	33
Installation sur un mur à deux montants en bois	34
Installation sur du béton plein ou un bloc de cendre	35
Installation du support adaptateur universel	36
Fixation de la plaque adaptatrice à l'écran à l'aide des configurations de montage VESA®	40
Installation et retrait de l'écran plat	41
Réglage de l'écran plat	41
Gestion des câbles	42

Pour le service à la clientèle, appelez le (800) 729-0307 ou le (708) 865-8870.

SA750P, SA750P-S	RTFPA50U, RTFPA60US, SA750PU, SA750PU-S	SA760P, SA760P-S	RTFPA63U, RTFPA63US, SA760PU, SA760PU-S	<p>Avant de commencer, veuillez à ce que toutes les pièces illustrées soient incluses avec le produit. Les pièces peuvent différer légèrement des illustrations.</p> <p>Liste des pièces</p>			
Description				Qté	Réf. de pièce noire	Réf. de pièce argentée	
X	X			A bras (unique)	1	201-0275	201-0275-S
		X	X	(double)		201-0276	201-0276-S
	X		X	B support adaptateur universel	1	201-P1367	201-C4367
	X		X	C support d'écran	2	201-P1396	201-C4396
X	X	X	X	D plaque murale	1	201-0244	201-0244-S
X	X	X	X	E vis à bois de 5/16 x 3 po	6	520-1243	520-2243
X	X	X	X	F ancrage alligator®	6	590-1025	590-1025
	X		X	G vis à tête creuse M10 x 15 mm	4	520-9262	520-9534
	X		X	H vis cruciforme à tête plate M5 x 10 mm	4	520-1573	520-2573
X	X	X	X	I vis creuse à tête plate de 5/16-18 x 1,75 po	2	520-1332	520-2332
X	X	X	X	J écrou 5/16 po-18	2	530-1034	530-2034
	X		X	K clé hexagonale de 6 mm	1	560-9716	560-9716
X	X	X	X	L clé hexagonale de 3/16 po	1	560-9713	560-9713
	X		X	M clé hexagonale de 3 mm	1	560-0073	560-0073
X	X	X	X	N clé hexagonale de 4 mm	1	560-9646	560-9646
X	X	X	X	O attaches de câble	12	590-1168	590-1168



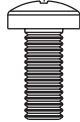
Fixations du support adaptateur



M4 x 12 mm (6)
(504-9013)



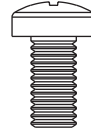
M4 x 25 mm (4)
(504-1015)



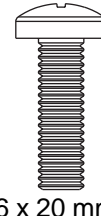
M5 x 12 mm (4)
(520-1027)



M5 x 25 mm (4)
(520-9543)



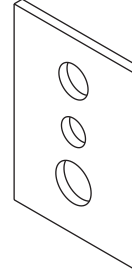
M6 x 12 mm (4)
(520-1128)



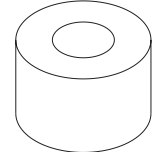
M6 x 20 mm (4)
(520-9402)



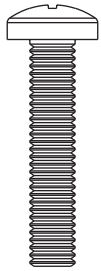
M6 x 25 mm (4)
(520-1208)



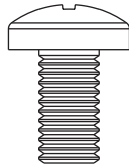
rondelle universelle (6)
(580-1036)



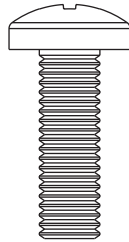
diamètre intérieur
de .34 po (4)
(540-1059)



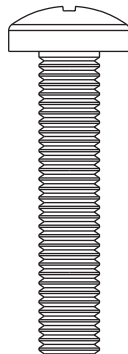
M6 x 30 mm (4)
(510-9109)



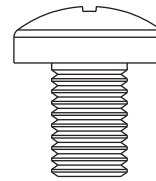
M8 x 16 mm (6)
(520-9257)



M8 x 25 mm (4)
(520-1031)



M8 x 40 mm (4)
(520-1136)



M10 x 15 mm (4)
(520-9262)
noir
(520-9534)
argente



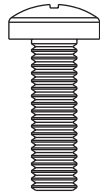
diamètre intérieur
de .22 po (4)
(540-1057)



M4 x 20 mm (4)
(504-9020)
noir
(504-2020)
argente



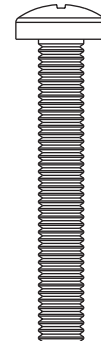
M4 x 30 mm (4)
(520-1133)
noir
(520-2133)
argente



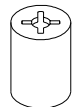
M6 x 20 mm (4)
(520-9402)
noir
(520-2407)
argente



M6 x 30 mm (4)
(510-9109)
noir
(510-2109)
argente



M6 x 40 mm (4)
(520-1584)
noir
(520-1207)
argente



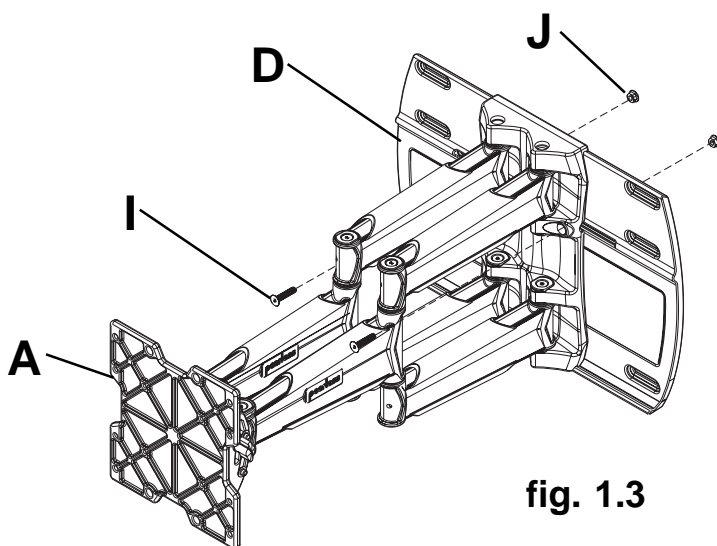
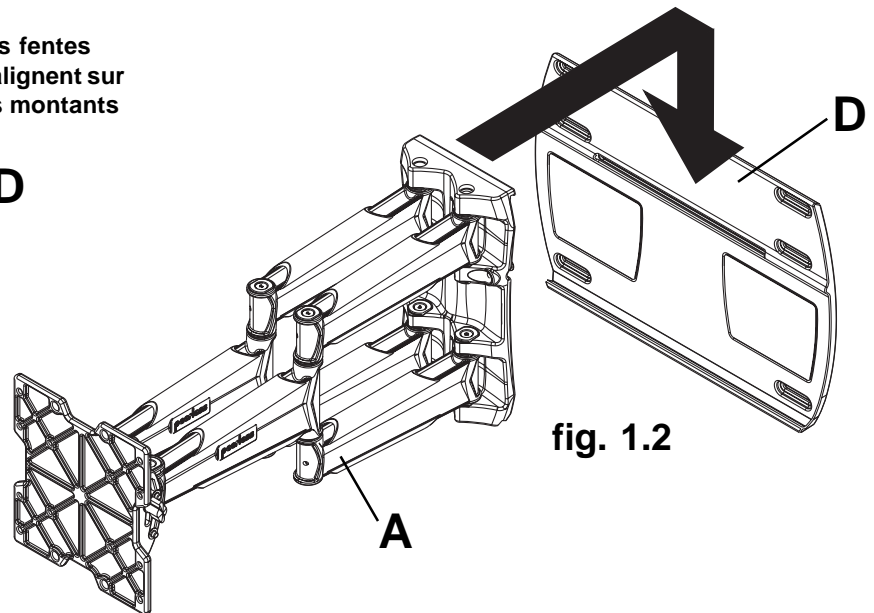
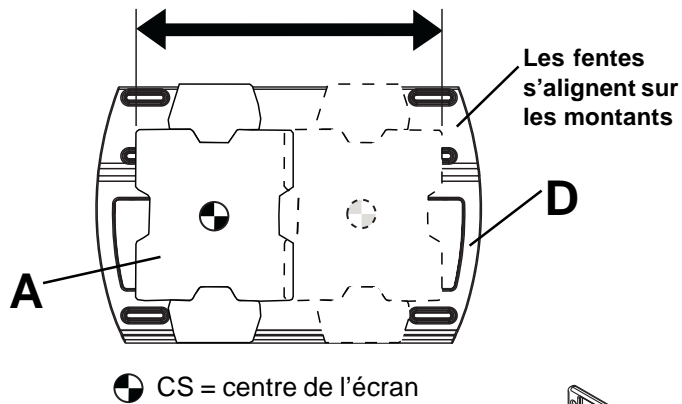
ID.128" (4)
(590-5005)
noir
(590-5003)
argente

Réglage du bras sur la plaque murale

1 REMARQUE : Si la plaque murale (D) est montée sur un mur à montant en bois, les fentes de la plaque murale (D) doivent s'aligner sur les montants.

Déterminez l'emplacement du centre de l'écran (consultez l'étape 2) comme illustré à la Figure 1.1 puis accrochez le bras sur la plaque murale (D) comme illustré à la Figure 1.2.

Utilisez une clé hexagonale de 3/16 po (L), fixez le bras (A) sur la plaque murale (D) avec deux vis à tête creuses à tête plate de 5/16-18 x 1,75 po (I) et deux écrous de 5/16 po-18 (J) comme illustré à la Figure 1.3. REMARQUE : les **DEUX vis à tête creuse à tête plate de 5/16-18 x 1,75 po (I) doivent être attachées à la plaque murale à l'aide des écrous 5/16 po-18 (J).** Ne réglez pas le bras lors de la fixation de l'écran.



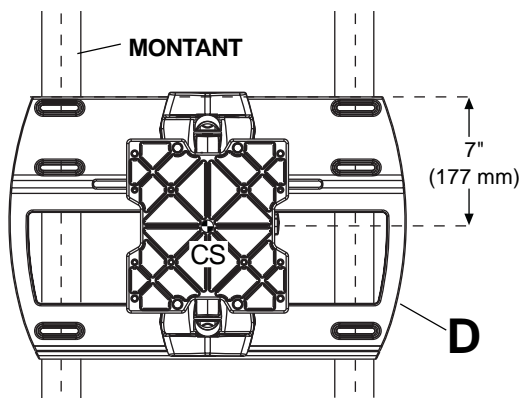
⚠ AVERTISSEMENT

- L'installateur doit s'assurer que la surface de support peut soutenir sans danger la charge totale de l'équipement ainsi que toutes les pièces et tous les composants qui y sont attachés.
- Serrez les vis à bois jusqu'à ce que la plaque murale soit fermement attachée, sans trop serrer. Un serrage excessif peut endommager les vis et en réduire considérablement le pouvoir de maintien.
- Ne serrez jamais à plus de 80 po-lb (9 N.m).
- Assurez-vous que les vis de montage sont fixées au centre du montant. L'utilisation d'un localisateur de montants « bord à bord » est fortement recommandée.
- La visserie fournie est destinée à fixer le montant à travers une cloison sèche ou du plâtre d'une épaisseur standard dans des montants en bois. L'installateur doit fournir la visserie adaptée à d'autres situations de montage.

2 Déterminez le centre souhaité de l'écran sur le mur et marquez-le au crayon. Mesurez 7 po (177 mm) au-dessus du centre désiré de l'écran et tracez une ligne horizontale pour situer l'emplacement du gabarit de la plaque murale. La plaque murale (D) peut être installée sur deux montants espacés de 16 po. Repérez le bord des montants à l'aide d'un localisateur de montants. L'utilisation d'un localisateur de montants « bord à bord » est fortement recommandée. Après avoir repéré les bords, tracez une ligne verticale le long du centre de chaque montant. Alignez le haut du gabarit (haut de la plaque murale) avec la ligne horizontale et alignez les fentes du gabarit de la plaque murale avec les lignes médianes des montants en bois. Mettez le gabarit (plaque murale) de niveau sur le mur et tracez le centre des six trous de montage en veillant à ce que les trous de montage soient sur les lignes médianes des montants. Percez six trous pilotes de 3/16 po (5 mm) de dia. et de 3 po (76 mm) de profondeur. Mettez la plaque murale (D) à niveau et attachez-la avec six vis à bois de 5/16 X 3 po (E) comme illustré à la Figure 2.2.

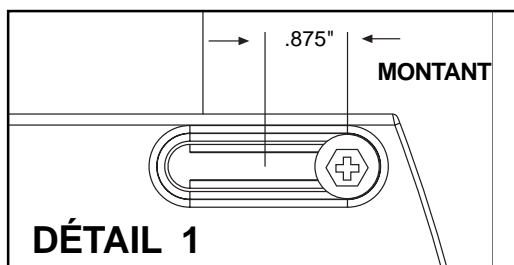
REMARQUE : La plaque murale (fente) peut être réglée de 0,875 po dans chaque direction à partir du centre de la vis à bois (E) et du montant comme illustré dans le Détail 1.

Passez à l'étape 3.



CS = centre de l'écran

fig. 2.1



DÉTAIL 1

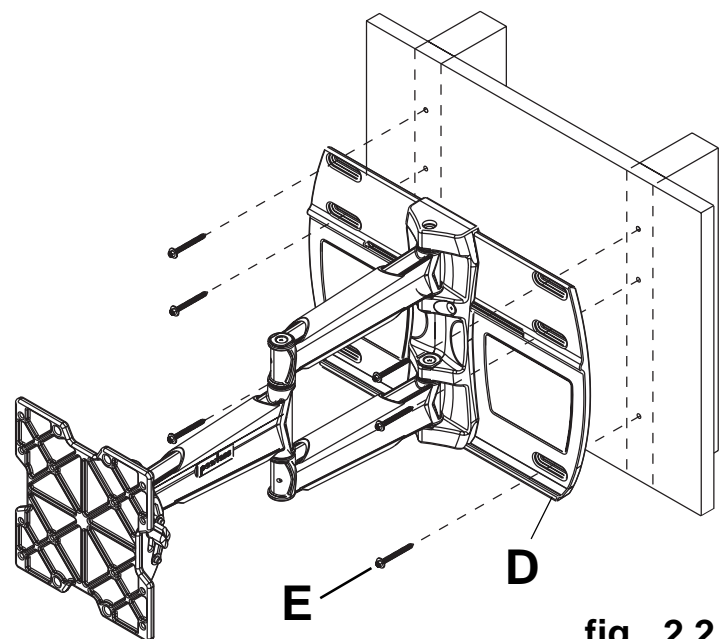


fig. 2.2

Installation sur du béton plein ou un bloc de cendre

⚠ AVERTISSEMENT

- Lors de l'installation des montants muraux Peerless sur un bloc de cendre, vérifiez que l'épaisseur de béton réelle est d'au moins 1-3/8 po dans le trou à utiliser pour les ancrages de béton. Ne percez pas dans les joints de mortier! Assurez-vous d'effectuer le montage dans une pièce pleine du bloc, généralement à 1 po minimum du côté du bloc. Le bloc de cendre doit être conforme aux normes ASTM C-90. Il est suggéré d'utiliser une perceuse électrique standard sur un réglage bas pour percer le trou au lieu d'un marteau perforateur pour éviter de briser l'arrière du trou en pénétrant dans un vide ou une cavité.
- Le béton doit avoir une densité minimum de 2000 psi. Un béton d'une densité inférieure risquerait de ne pas retenir l'ancrage de béton.
- Assurez-vous que la surface de support pourra soutenir sans danger la charge combinée de l'équipement, de toute sa visserie et de tous ses composants.

- 2** Déterminez le centre souhaité de l'écran sur le mur et marquez-le au crayon. Mesurez 7 po (177 mm) au-dessus du centre désiré de l'écran et tracez une ligne horizontale pour situer l'emplacement du gabarit de la plaque murale. Alignez le haut du gabarit (haut de la plaque murale) avec la ligne horizontale. Mettez le gabarit (plaque murale) à niveau sur le mur et tracez le centre des six trous de montage. Percez six trous de 5/16 po (8 mm) de dia. et de 3 po (76,2 mm) de profondeur. Insérez les ancrages (F) dans les trous au ras du mur comme illustré (à droite). Mettez la plaque murale (D) sur les ancrages et attachez-la avec six vis de 5/16 X 3 po (E) comme illustré à la Figure 2.3. Mettez la plaque de niveau puis serrez toutes les fixations.

⚠ AVERTISSEMENT

- Serrez les vis jusqu'à ce que la plaque murale soit fermement attachée, sans trop serrer. Un serrage excessif peut endommager les vis et en réduire considérablement le pouvoir de maintien.
- Ne serrez jamais à plus de 80 po-lb (9 N.m).

⚠ AVERTISSEMENT

- Attachez toujours les ancrages de béton directement sur le béton porteur.
- N'attachez jamais les ancrages de béton à du béton couvert de plâtre, de cloison sèche ou d'un autre matériau de finition. Si le montage sur des surfaces de béton recouvertes d'une surface de finition est inévitable, la surface de finition doit être chambrée comme indiquée ci-dessous. Assurez-vous que les ancrages en béton ne se séparent pas du béton lors du serrage des vis. Si l'épaisseur du plâtre ou de la cloison sèche dépasse 5/8 po, l'installateur devra fournir des pièces de fixation sur mesure. (Non évalué par UL)

VUE EN COUPE

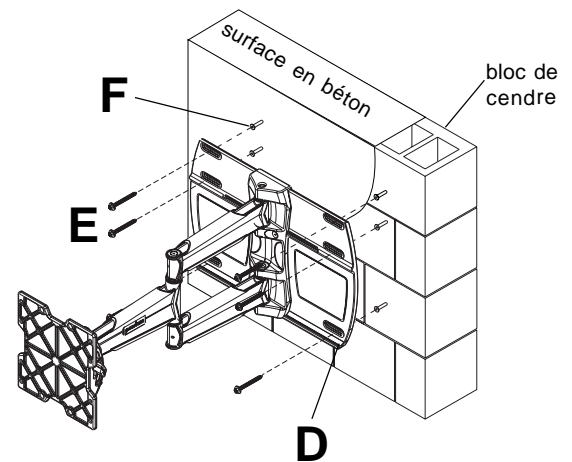
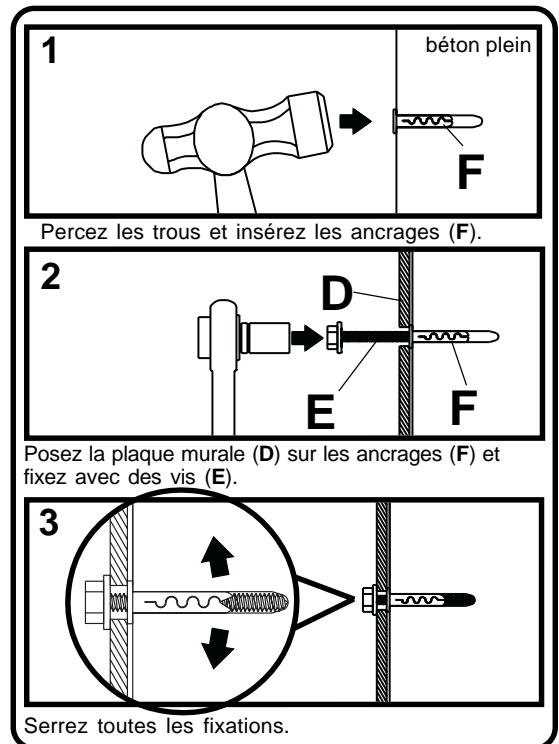
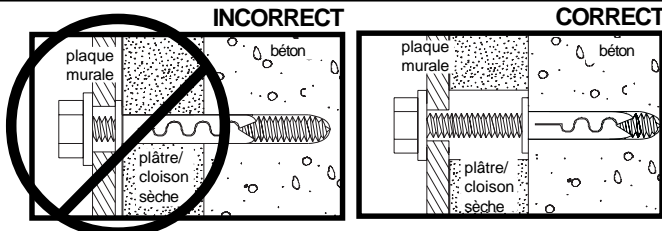
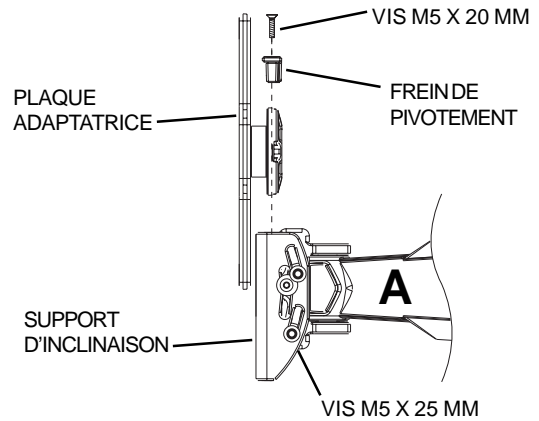


fig. 2.3

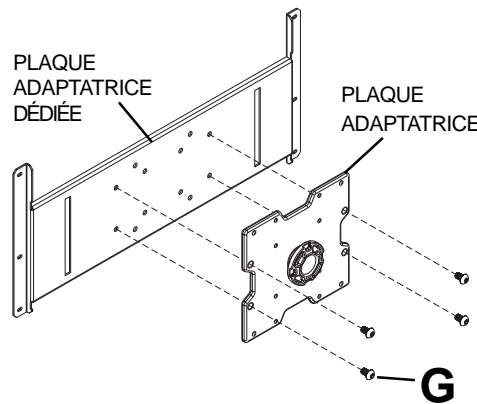
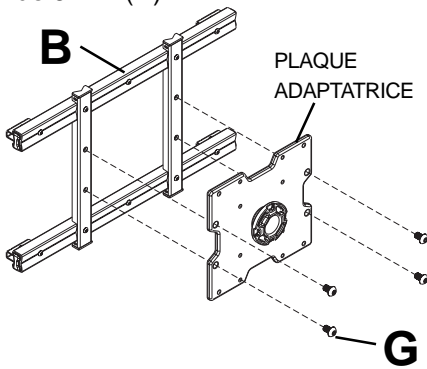
- 3** Retirez les deux vis M5 x 20 mm du frein de pivotement. Relevez la plaque adaptatrice du support d'inclinaison comme illustré.

REMARQUE : Il peut être nécessaire de desserrer la vis M5 x 25 mm de quelques tours pour permettre au support adaptateur d'être retiré à l'aide d'une clé hexagonale de 4 mm (N).



Installation du support adaptateur universel sur l'écran

- 4** **REMARQUE :** Si l'écran a une configuration de trous VESA, passez à la page 40. En utilisant la configuration de trous illustrée dans le Détail 2, attachez la plaque adaptatrice au support adaptateur universel (B) ou à la plaque adaptatrice dédiée à l'aide de quatre vis M10 x 15 mm (G) comme illustré. Serrez les vis à l'aide de la clé hexagonale de 6 mm (K).



- 4-1** Retirez les couvercles des supports de l'écran (C) comme illustré à la Figure 4.1. Attachez deux supports d'écran (C) aux coulisseaux du support adaptateur universel (B) à l'aide de quatre vis cruciformes à tête plate M5 x 10 mm (H) comme illustré à la Figure 4.1.20.

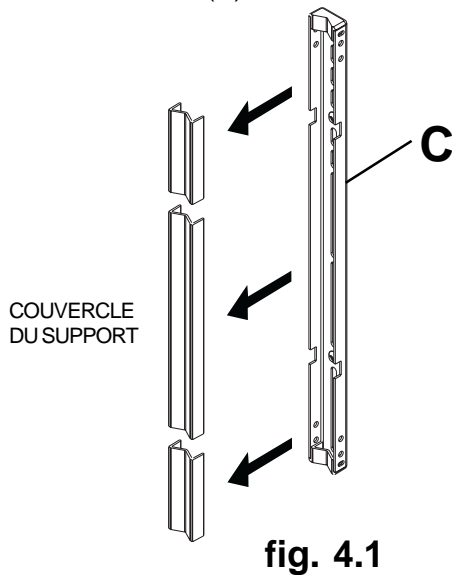


fig. 4.1

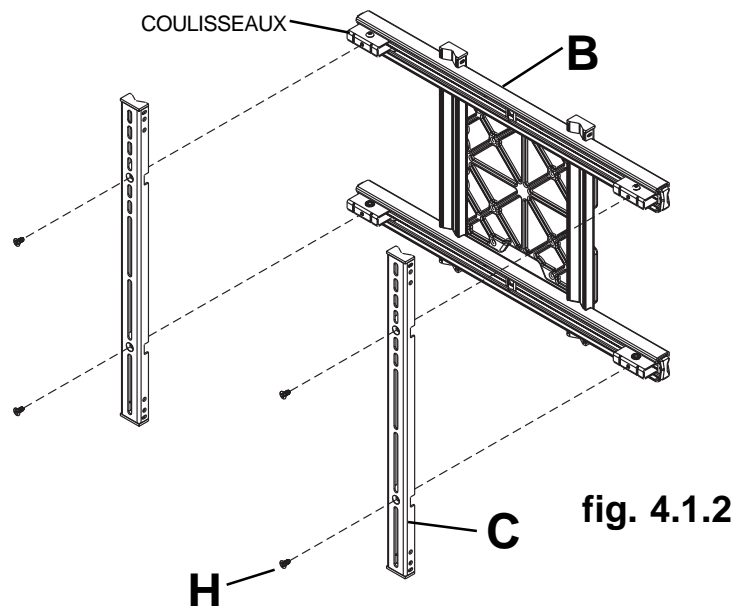


fig. 4.1.2

Réglage du support adaptateur universel

PRUDENCE

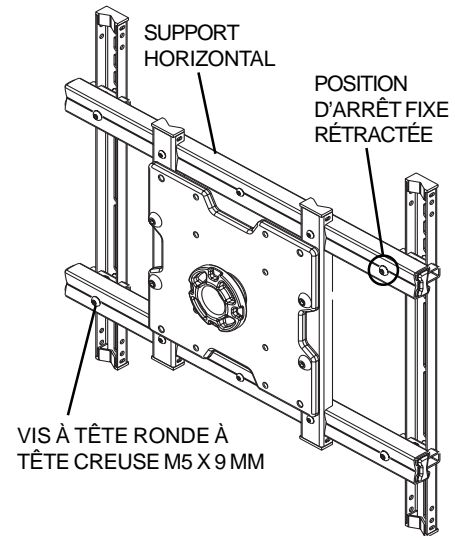
- Ne serrez pas les vis de façon excessive. Un serrage excessif peut endommager le montant. Serrez les vis du support vertical M5 x 9 mm et les vis à tête ronde à tête creuse M5 x 9 mm à un couple maximal de 35 po-lb (3,95 N.m).

4-2 Le support adaptateur universel a deux positions d'arrêt fixes qui verrouillent les supports d'extension en position rétractée (illustrée à droite) ou en position déployée (illustrée ci-dessous) à l'aide des vis M5 x 9 mm.

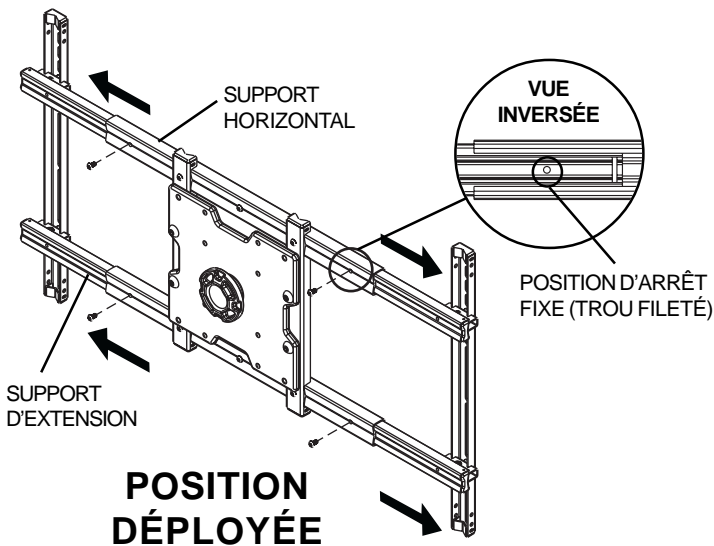
Si la distance entre les trous de montage à l'arrière de l'écran est de 17,5 po (445 mm) de large ou moins, maintenez le support adaptateur universel en position rétractée. *Passez à l'étape 4-3.*

Si la distance entre les trous de montage à l'arrière de l'écran est supérieure à 17,5 po (445 mm), retirez les quatre vis à tête ronde à tête creuse M5 x 9 mm du support adaptateur universel à l'aide d'une clé hexagonale de 3 mm (**M**) comme illustré ci-dessous.

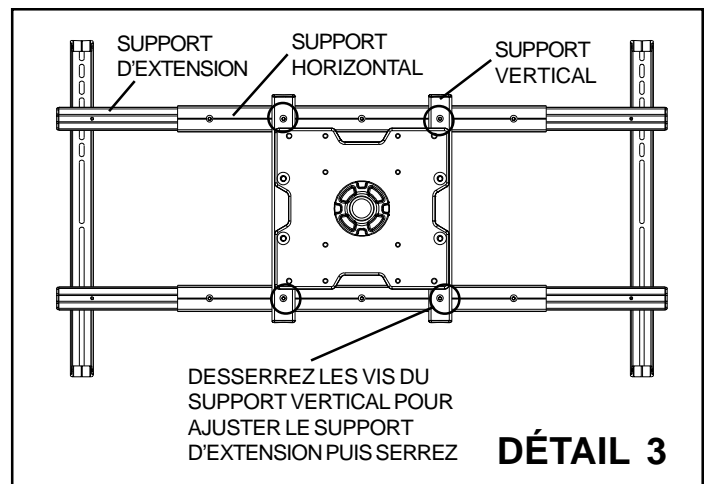
REMARQUE : Il peut être nécessaire de desserrer les quatre vis du support vertical M5 x 9 mm, comme illustré dans le Détail 3, d'un tour complet pour ajuster les supports d'extension. Déployez les deux supports d'extension en position d'arrêt fixe (trou fileté illustré en position inversée ci-dessous). Attachez le support d'extension au support horizontal en serrant complètement les vis à tête ronde à tête creuse M5 x 9 mm en position d'arrêt fixe des supports d'extension à l'aide d'une clé hexagonale de 3 mm (**M**) comme illustré dans la position inversée. Resserrez les vis du support vertical M5 x 9 mm comme illustré dans le Détail 3.



POSITION RÉTRACTÉE



POSITION DÉPLOYÉE



4-3 À l'aide d'une clé hexagonale de 3 mm (M), desserrez les vis de chaque coulisseau sur le support adaptateur universel jusqu'à ce que les supports de l'écran (C) puissent se déplacer facilement dans le support d'extension.

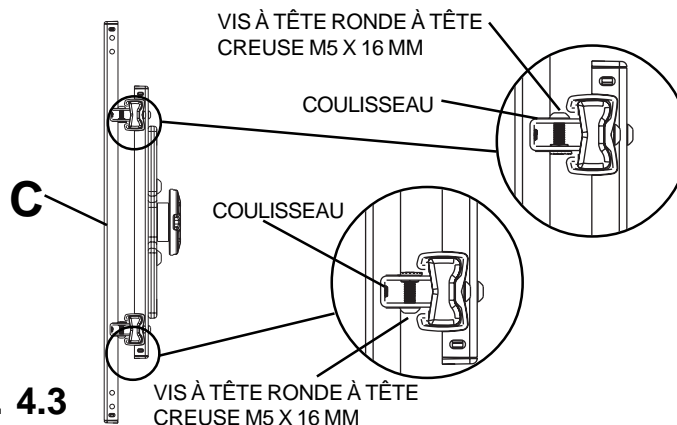


fig. 4.3

⚠ AVERTISSEMENT

- Serrez les vis de manière à ce que les supports d'écran tiennent solidement sur l'écran. N'exercez pas une force excessive. Un serrage excessif peut endommager les vis, réduire considérablement leur capacité de support et éventuellement faire tomber les têtes de vis. Serrez à un couple maximal de 40 po-lb (4,5 N.m).
- Si les vis ne sont pas enfoncées de trois tours complets dans les inserts de l'écran ou si elles sont serrées au maximum sans parvenir à fixer solidement le support, l'écran peut être endommagé ou le produit peut ne pas fonctionner.

REMARQUE : Consultez la page 37 pour les réglages des supports d'extension du support adaptateur universel (B).

4-4 Afin d'éviter de rayer l'écran, posez un morceau de tissu sur une surface plane et de niveau qui peut supporter le poids de l'écran. Placez l'écran à plat, tourné vers le bas. Consultez les instructions du fabricant de l'écran pour retirer les boutons, la base, le couvercle ou la/les vis à l'arrière de l'écran pour le montage des supports de l'écran (C). Ajustez les supports de l'écran (C) pour les aligner avec les trous de montage de l'écran comme illustré à la Figure 4.4. Choisissez les vis de taille petite, moyenne, grande ou très grande dans le paquet de fixations puis attachez les supports d'écran (C) à l'écran en respectant la Figure 4.5 ou 4.6 à la page 39. Serrez les vis des coulisseaux M5 x 16 mm comme illustré à la Figure 4.3.

REMARQUE : Utilisez les trous de montage supérieurs et inférieurs pour fixer les supports de l'écran. Les trous du milieu doivent également être utilisés lorsque les fixations et l'écran le permettent. Veillez à ce que tous les trous soient bien alignés, puis serrez les vis à l'aide d'un tournevis cruciforme.

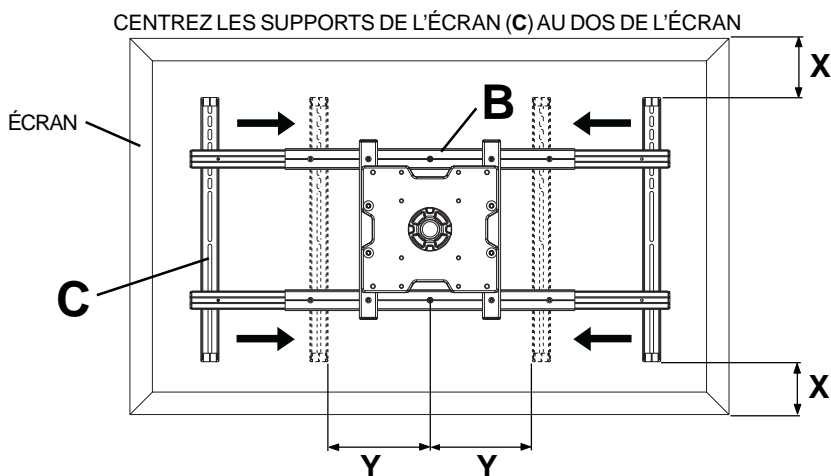
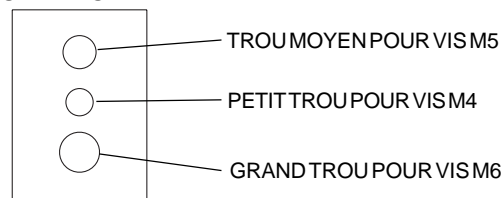


fig. 4.4

REMARQUE : Les dimensions « X » doivent être égales.
Les dimensions « Y » doivent être égales.

RONDELLE UNIVERSELLE



REMARQUES:

- Utilisez toujours des rondelles universelles lorsque vous fixez les supports de l'écran (C) à l'écran à l'aide de vis petites, moyennes ou grandes. Il n'est pas nécessaire d'utiliser de rondelles universelles pour les vis très grandes (M8).
- Utilisez le trou de la rondelle universelle correspondant à la taille des vis que vous utilisez comme illustré.

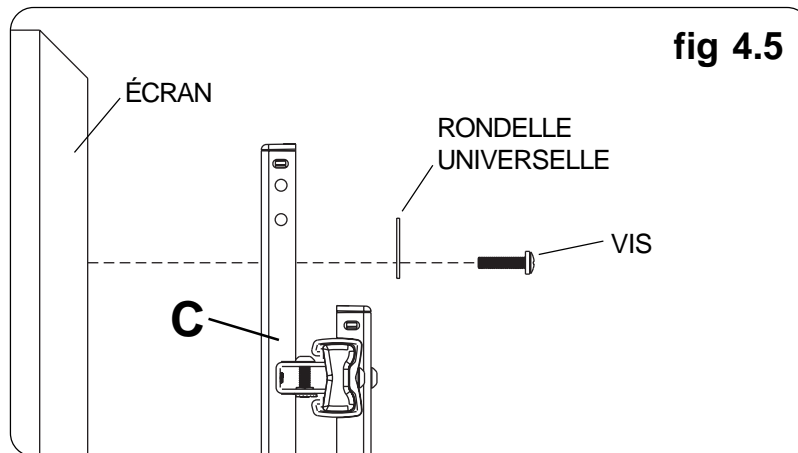
REMARQUE : Pour les écrans à dos plat, passez à l'étape 4-5. Pour les écrans à dos convexe ou concave, passez à l'étape 4-6.

Pour les écrans à dos plat

4-5 Commencez par la vis la plus courte et vissez-la manuellement à l'écran en la faisant passer par la rondelle universelle et les supports de l'écran (C), comme illustré ci-dessous. La vis doit effectuer au moins trois tours complets dans le trou de fixation et tenir solidement en place. Ne serrez pas trop. S'il est impossible d'effectuer trois tours de vis complets, choisissez une vis plus longue dans le paquet de fixations. Répétez la procédure pour les autres trous de montage, mettez les supports de l'écran à niveau et serrez les vis. Enclenchez les couvercles de support à l'arrière des supports de l'écran (C), consultez la Figure 4.1 à la page 36.

REMARQUE : Il n'est pas toujours nécessaire d'utiliser des entretoises, selon le type d'écran.

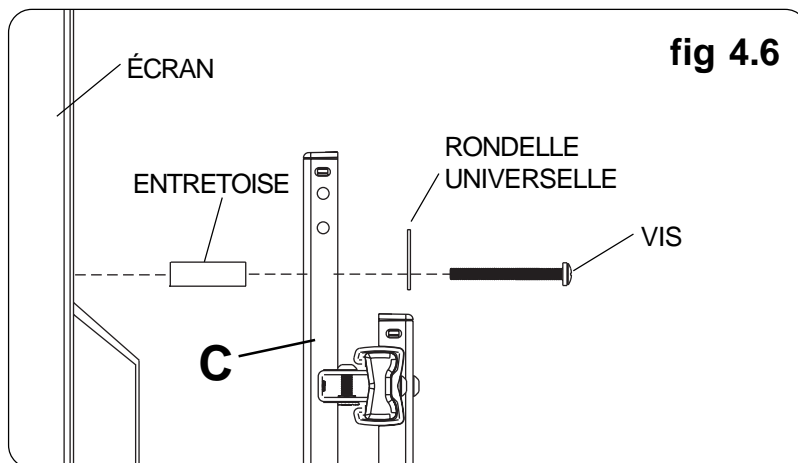
Pour toutes questions, appelez le service à la clientèle de Peerless au **1-800-865-2112**. Visitez notre site Web à www.peerlessmounts.com/unl pour déterminer les fixations correctes à utiliser pour votre écran particulier.



Pour les écrans à dos convexe ou concave

4-6 Commencez par la vis la plus longue et vissez-la manuellement à l'écran en la faisant passer par la rondelle universelle, les supports de l'écran (C) et l'entretoise, dans cet ordre, comme indiqué ci-dessous. La vis doit effectuer au moins trois tours complets dans le trou de fixation et tenir solidement en place. Ne serrez pas trop. S'il est impossible d'effectuer trois tours de vis complets, choisissez une vis plus longue dans le paquet de fixations. Répétez la procédure pour les autres trous de montage, mettez les supports de l'écran à niveau et serrez les vis. Enclenchez les couvercles de support à l'arrière des supports de l'écran (C), consultez la Figure 4.1 à la page 36.

Pour toutes questions, appelez le service à la clientèle de Peerless au **1-800-865-2112**. Visitez notre site Web à www.peerlessmounts.com/unl pour déterminer les fixations correctes à utiliser pour votre écran particulier.

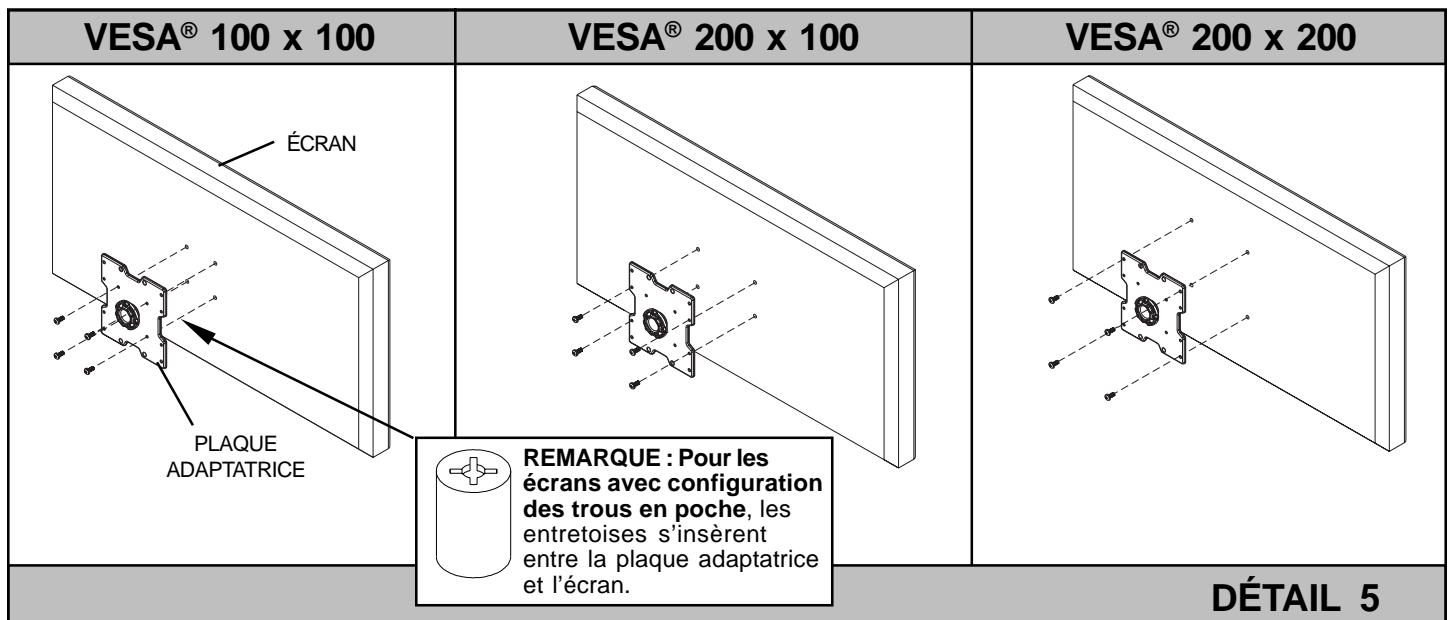
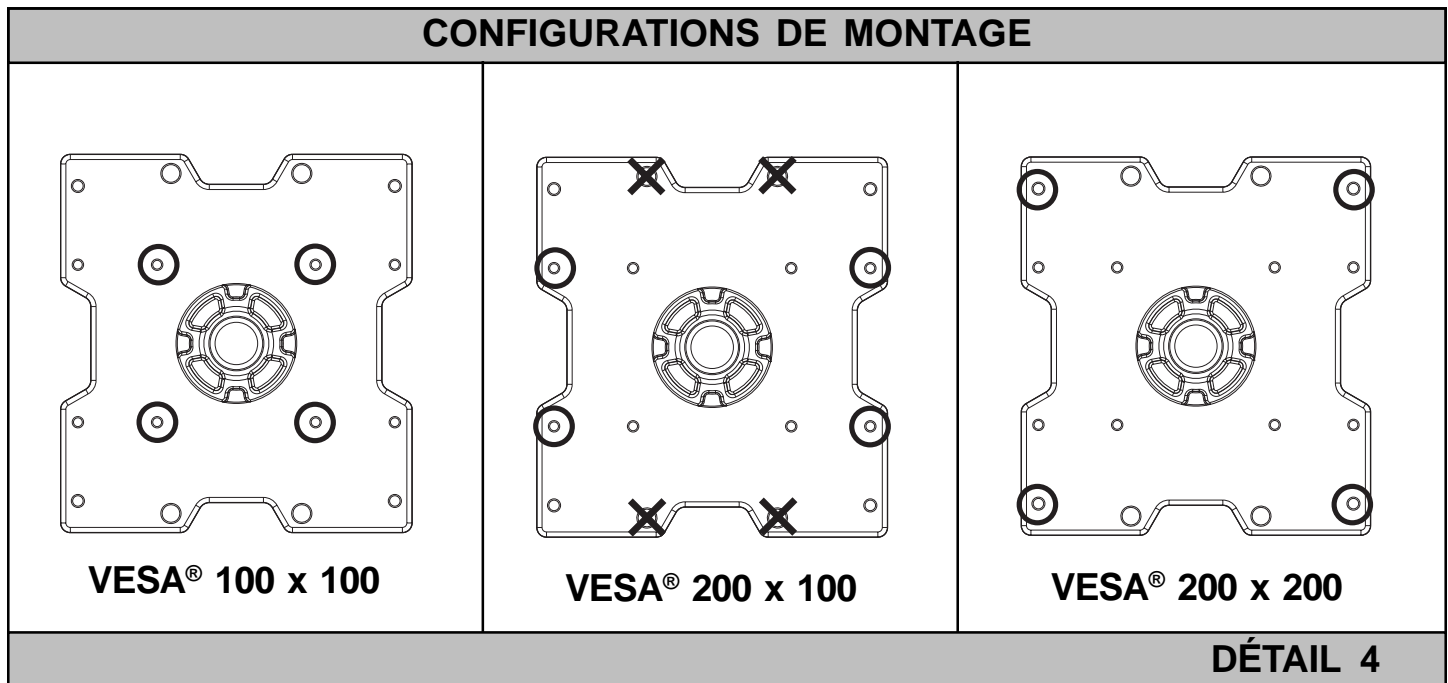


Fixation de la plaque adaptatrice à l'écran à l'aide de la configuration de montage VESA®

- 4** Choisissez la configuration des trous comme illustré dans le Détail 4 pour les configurations de montage VESA. En commençant par la vis la plus courte, vissez à la main par la plaque adaptatrice dans l'écran comme illustré au Détail 5. La vis doit faire au moins trois tours complets dans le trou de montage et être bien serrée en place. Ne serrez pas trop. S'il est impossible d'effectuer trois tours de vis complets, choisissez une vis plus longue dans le paquet de fixations. Répétez pour les trous de montage restants. Serrez bien les vis.

REMARQUE : Il n'est pas toujours nécessaire d'utiliser des entretoises, selon le type d'écran.

Pour toutes questions, appelez le service à la clientèle de Peerless au **1-800-865-2112**. Visitez notre site Web à www.peerlessmounts.com/unl pour déterminer les fixations correctes à utiliser pour votre écran particulier.



▲ AVERTISSEMENT

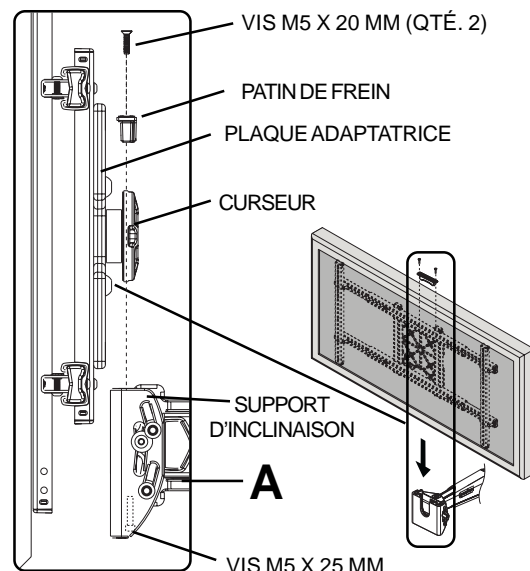
- Ne soulevez pas plus que votre capacité. Faites-vous aider par une autre personne ou utilisez un système de levage mécanique pour effectuer une installation de l'écran en toute sécurité.
- Si le patin de frein n'est pas verrouillé avec deux vis M5 x 20 mm et si le support d'inclinaison n'est pas verrouillé avec la vis M5 x 25 mm, l'écran peut se détacher du montant s'il est heurté accidentellement.

Installation et retrait de l'écran plat

- 5** Pour attacher l'écran au bras (A), insérez le curseur de la plaque adaptatrice dans la fente du support d'inclinaison comme illustré à la Figure 5.1. Attachez le patin de frein comme illustré dans le Détail 5 de façon à ce qu'il soit bien contre la plaque adaptatrice. Réglez la position de pivotement de la plaque adaptatrice pour mettre l'écran de niveau et verrouillez le curseur en position en serrant la vis M5 x 25 mm sous le support d'inclinaison à l'aide d'une clé hexagonale de 4 mm (N). Serrez toutes les vis (M5 x 20 mm, M5 x 25 mm). **REMARQUE :** Pour retirer l'écran du bras (A), retirez deux vis M5 x 20 mm et le patin de frein. Relevez l'écran du support d'inclinaison.

PRUDENCE

Ne serrez pas les vis de façon excessive. Un serrage excessif peut endommager le montant. Serrez les vis M5 x 20 mm à un couple maximal de 20 po-lb (2,26 N.m).



DÉTAIL 5

fig. 5.1

Réglage de l'écran plat

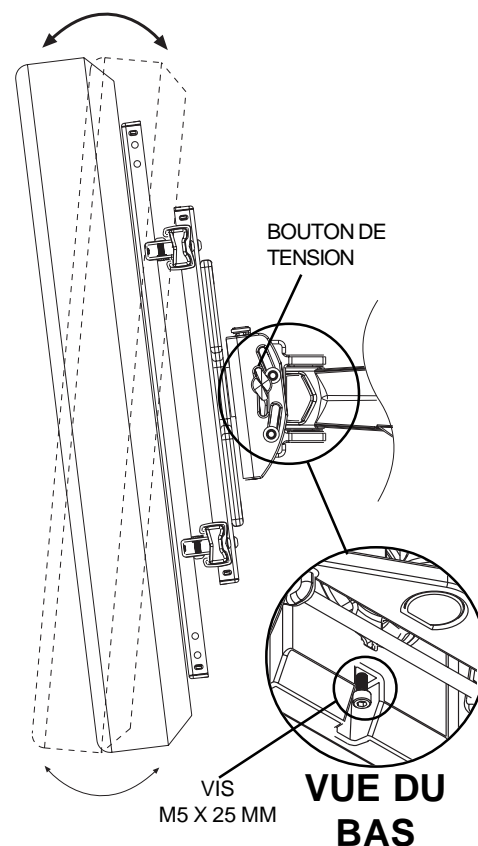
- 6 POUR UNE ORIENTATION DE L'ÉCRAN EN MODE PAYSAGE OU PORTRAIT :** Retirez les deux vis M5 x 20 mm et le patin de frein. Relevez l'écran du support d'inclinaison. Faites tourner l'écran à la position souhaitée (paysage ou portrait). Insérez le curseur de la plaque adaptatrice dans la fente du support d'inclinaison comme illustré à la Figure 5.1. Attachez le patin de frein au support d'inclinaison à l'aide de deux vis M5 x 20 mm comme illustré dans le Détail 5. Serrez toutes les vis (M5 x 20 mm, M5 x 25 mm).

Réglage de l'INCLINAISON : Réglez le bouton de tension d'un côté du montant à la tension désirée pour permettre de régler l'inclinaison et équilibrer le poids et la taille de l'écran. Poussez ou tirez depuis le haut ou le bas de l'écran pour régler l'inclinaison comme illustré. L'inclinaison peut être réglée à un maximum de 10° vers l'avant ou de 5° vers l'arrière. Resserrez le bouton de tension.

Réglage du PIVOTEMENT : Faites tourner l'écran de 5° dans le sens horaire ou antihoraire, mettez l'écran à niveau et serrez la vis M5 x 25 mm avec une clé hexagonale de 4 mm (N) comme illustré dans la vue du bas.

▲ PRUDENCE

- Ne serrez pas les vis de façon excessive.
- Veillez à ne pas vous pincer les doigts lors de l'ouverture et de la fermeture du montant sur le mur.



Gestion des câbles

7 **REMARQUE** : Assurez-vous que les câbles ont suffisamment de jeu pour permettre le mouvement complet du bras.

Acheminer le cordon d'alimentation par le haut ou le bas du bras (**A**) et le ou les câbles de signal par l'autre côté du bras pour éviter les interférences avec le signal. Verrouillez les câbles en place en enclenchant les couvercles de câble sur le montant. Il peut être nécessaire de déplacer l'écran pour faciliter l'accès.

Optionnel : Si une gestion des câbles supplémentaire est requise, utilisez les attaches de câble (**O**) comme illustré dans le Détail 7.

