

# Flat Panel

## Flat Wall Mounts

### Screen-specific Flat Wall Mount

For up to 71" LCD and Plasma Screens



SF24D



SF16D

- Measures 1.18" from wall, plus thickness of adapter plate
- Horizontal screen adjustment up to 8"
- Easy-glide bracket design ensures screen is securely attached to wall plate
- Choose from 16" only or 16"-24" stud center wall plate
- Fits any screen-specific PLP or LC adapter plate
- Model SF16D ships with 19.25"-wide wall plate, perfect for portrait style installations

- \* Includes theft resistant hardware for attaching screen to mount
  - \*\* Dedicated adapter plates come in flat black and include security fasteners
- ⚠ Requires screen-specific adapter to be purchased separately



#### MODELS

##### DEDICATED MODELS:

Security Fasteners\*

Screen Adapter Purchased Separately\*\*

**SF16D** for up to 16" studs Black  
**SF24D** for up to 24" studs Black

#### SCREEN ADAPTER

##### DEDICATED MODELS:

Requires screen-specific PLP or LC adapter to be purchased separately

#### SPECIFICATIONS

**DIMENSIONS:** (W x H x D)  
 SF16D 19.25" x 9.83" x 1.18"  
 (48.9 x 25.0 x 3.0 cm)  
 SF24D 30.75" x 9.83" x 1.18"  
 (78.1 x 25.0 x 3.0 cm)

**MAX LOAD:** 200 lb (90.7 kg)

##### SHIP WEIGHT:

SF16D 7.4 lb (3.4 kg)  
 SF24D 9.3 lb (4.2 kg)

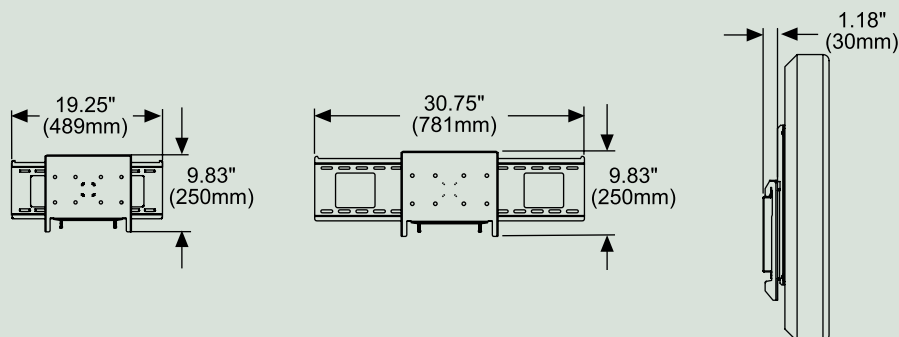
**MOUNTING SURFACES:** Wood stud, concrete, cinder block and metal stud  
*(Metal stud accessory required)*



#### ACCESSORIES

pg#

ACC415: 4-pack Metal Stud Fastener Kit ....118



To verify mount compatibility with any plasma, LCD, or projector model use Mount Finder™ at [www.peerlessmounts.com](http://www.peerlessmounts.com) 800.865.2112