

SmartMount™

TECHNICAL DATA SHEET - Dedicated Flat Wall Mount for Flat Panel Screens

peerless®

MODEL: SF 16D, SF 24D

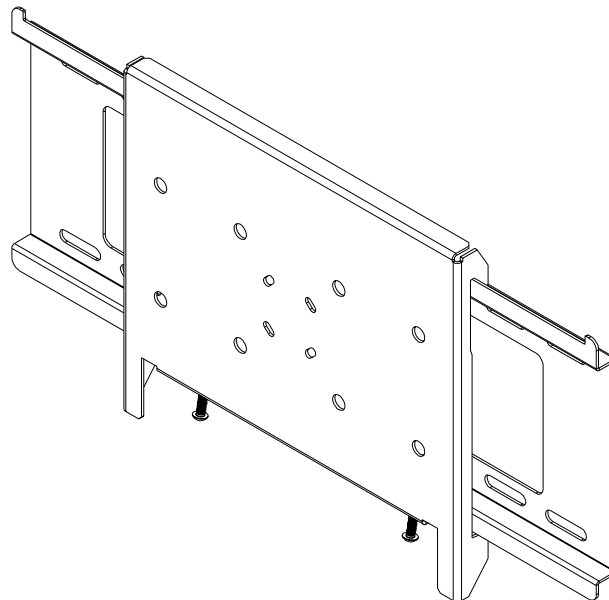
The **SmartMount™ Dedicated** line provides screen-specific solutions for mounting medium to large sized flat panel screens. Both flat and tilting models are available and compatible with Peerless' comprehensive inventory of screen-specific LC or PLP adapter plates, ensuring a precise fit for almost any plasma or LCD screen. Additionally, installers can choose from either a wall plate for 16" stud centers, perfect for any portrait-style applications, or a more versatile wall plate for 16"-24" stud centers. All models ship pre-assembled for fast and easy installation. Requires screen-specific LC or PLP adapter plate to complete installation (sold separately).

Features:

- Color: black
- Fits any LC or PLP adapter plate
- Low profile designs
- SF16D: 16" stud center wallplate for 22" and above screens
- SF24D: 16"-24" stud center wallplate for 32" and above screens
- Includes socket-pin security fasteners for effective theft-deterrence
- Mounts to wood studs, concrete, cinder block, or metal studs (with accessory metal stud fasteners)
- Ships pre-assembled for fast and easy installation
- Requires screen-specific PLP or LC adapter plate to complete installation (sold separately)

Accessories:

Requires screen-specific PLP or LC adapter plate to complete installation (sold separately)



SF 16D Dimensions:

Weight:
5.6 lb (2.5 kg)

Shipping weight:
7.4 lb (3.4 kg)

Maximum Load Capacity:
200 lb (91 kg)

Shipping Carton dimensions:

L = 20.25 in (514 mm)

W = 12.25 in (311 mm)

H = 4.25 in (108 mm)

SF 24D Dimensions:

Weight:
7.1 lb (3.2 kg)

Shipping weight:
9.3 lb (4.2 kg)

Maximum Load Capacity:
200 lb (91 kg)

Shipping Carton dimensions:

L = 31.75 in (807 mm)

W = 12.25 in (311 mm)

H = 4.25 in (108 mm)

ARCHITECTS SPECIFICATIONS

The **Dedicated Flat Wall Mount** shall be a Peerless model _____ and shall be located where indicated on the plans. It shall be constructed of heavy gauge steel. The finish shall be scratch resistant black fused epoxy. It shall include hardware for installation to wood studs, concrete, and cinder block. Assembly and installation shall be done according to instructions provided by the manufacturer.

Peerless Industries, Inc.

3215 W. North Ave. Melrose Park, IL 60160
708-865-8870 800-865-2112 Fax 708-865-2941

www.peerlessmounts.com

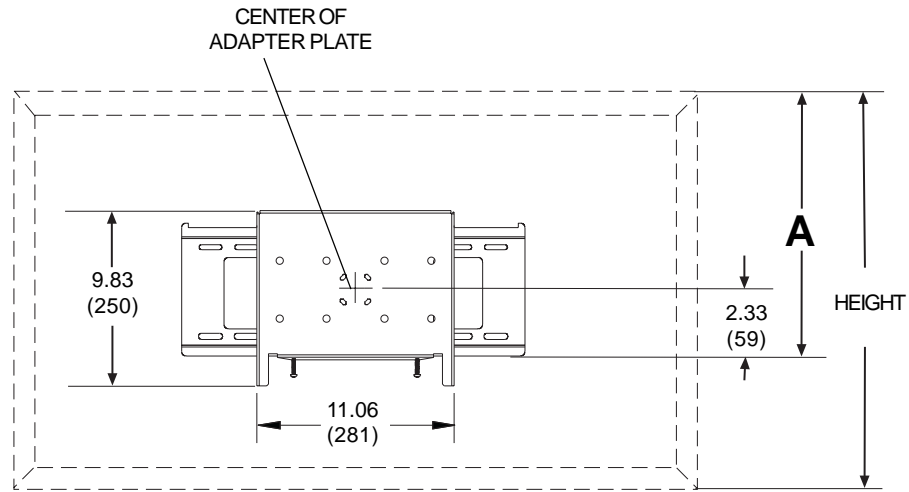
ISSUED: 11-23-05 SHEET NO: 202-9508-3 01-29-07

©2007 Peerless Industries, Inc. All rights reserved.
SmartMount is a trademark and Peerless is a registered trademark of Peerless Industries, Inc.
All other brand and product names are trademarks or registered trademarks of their respective owners.

TECHNICAL DATA SHEET

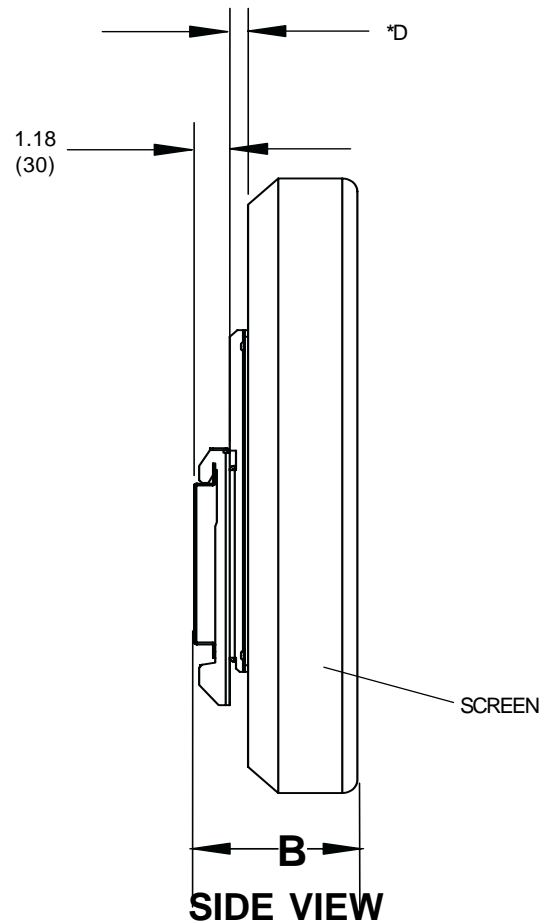
MODELS: SF 16D, SF 24D

ALL DIMENSIONS = INCH (MM)



FRONT VIEW

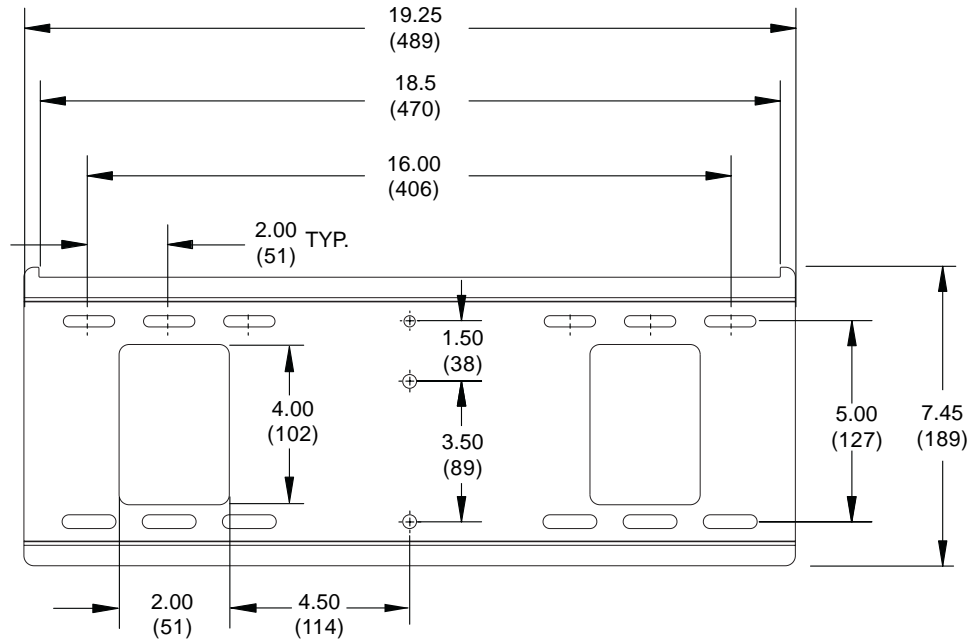
A = 1/2 HEIGHT OF PLASMA + 2.33"
B = DEPTH OF PLASMA + *D + 1.18"
*D = DEPTH OF ADAPTER BRACKET



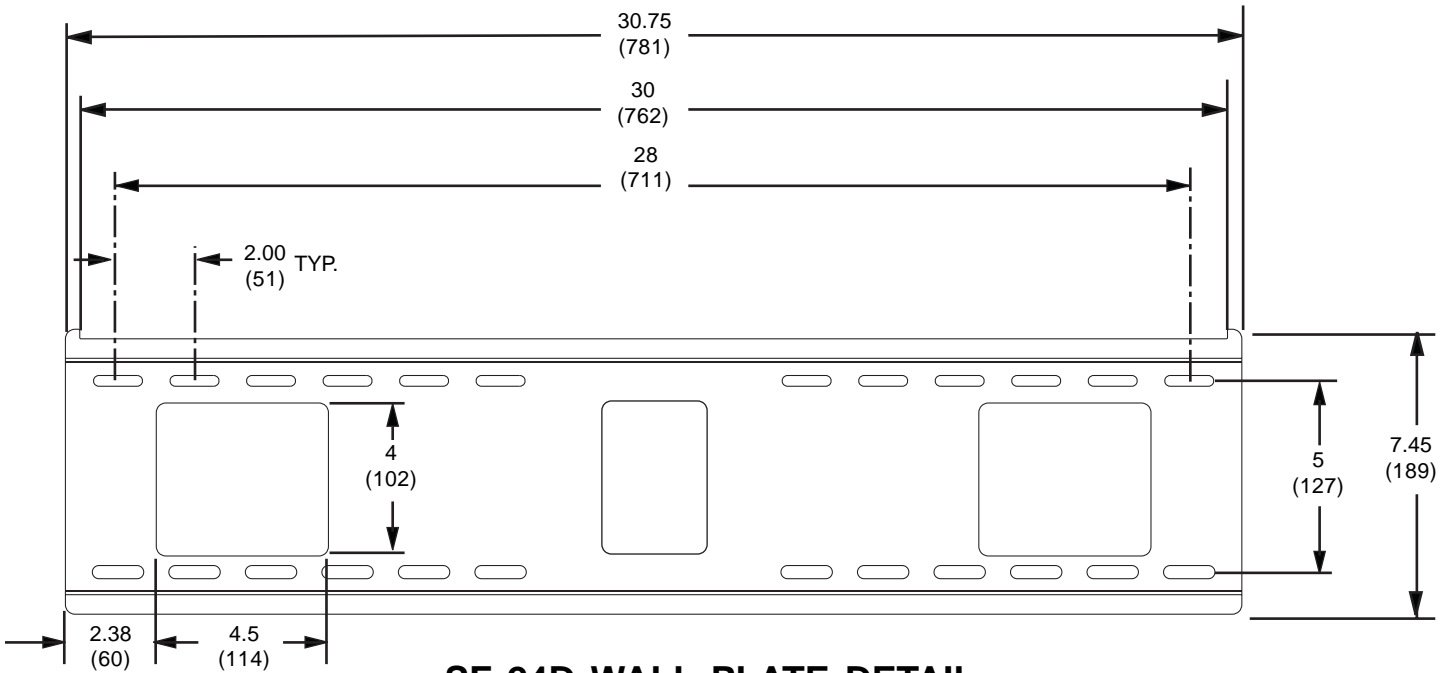
SIDE VIEW

TECHNICAL DATA SHEET

MODELS: SF 16D, SF 24D



SF 16D WALL PLATE DETAIL



SF 24D WALL PLATE DETAIL