

# TECHNICAL DATA SHEET - LCD Screen Pivot Wall Mount



**MODELS: SP 730P, SP 730P-S, D-LPL-100, RTLPL-100S**  
 Protected by U.S. Patent No. D488,708.



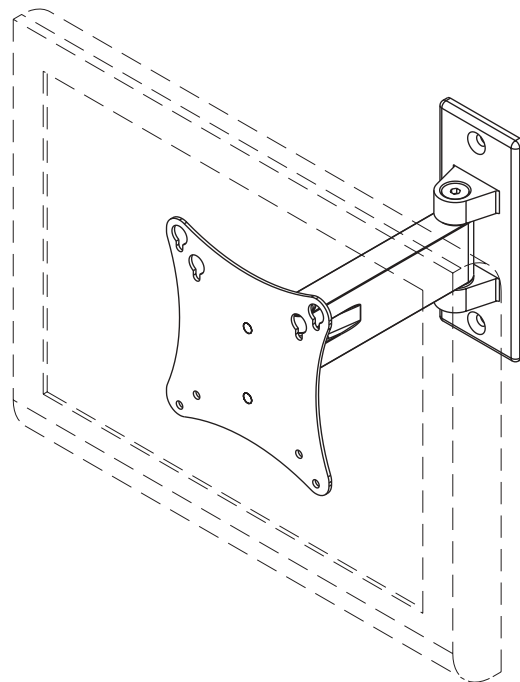
The SmartMount Long Pivot Wall Mount supports 10" to 22" LCD screens and is ideal for obtaining side-to-side rotation and upward/downward tilt. Its anodized aluminum finish elegantly complements offices, conference rooms, merchandising displays, hotel rooms or any room in the home. The newly designed tilt mechanism allows the user to smoothly turn the screen in the desired position for comfortable viewing.

**Features:**

- Fits 10" to 22" LCD screens
- ±35° of adjustable forward and backward tilt
- Dual pivot points for side-to-side adjustment
- Includes hardware for the screen and for installation to a single wood and metal stud or concrete
- Comes with VESA® 75/100 screen adapter plate
- Ships pre-assembled for fast and easy installation

**Dimensions:**

see chart



	<b>SP 730P, SP 730P-S</b>	<b>D-LPL-100</b>	<b>RTLPL-100S</b>
<b>Weight:</b>	1.7 lb (0.8 kg)	1.7 lb (0.8 kg)	1.7 lb (0.8 kg)
<b>Shipping weight:</b>	2.2 lb (1.0 kg)	2.2 lb (1.0 kg)	2.3 lb (1.0 kg)
<b>Maximum Load Capacity:</b>	25.0 lb (11.3 kg)	25.0 lb (11.3 kg)	25.0 lb (11.3 kg)
<b>Shipping Carton dimensions:</b>	L = 8.07 in (205 mm) W = 4.33 in (110 mm) H = 4.33 in (110 mm)	L = 8.07 in (205 mm) W = 4.33 in (110 mm) H = 4.33 in (110 mm)	L = 8.07 in (205 mm) W = 4.33 in (110 mm) H = 4.33 in (110 mm)

### ARCHITECTS SPECIFICATIONS

The LCD Screen Pivot Wall Mount shall be a Peerless model \_\_\_\_\_ and shall be located where indicated on the plans. Assembly and installation shall be done according to instructions provided by the manufacturer. Mount is made of clear anodized aluminum and adapter bracket is made of steel with a scratch resistant epoxy silver finish.

**Peerless Industries, Inc.**  
 3215 W. North Ave. Melrose Park, IL 60160  
 708-865-8870 800-865-2112 Fax 708-865-2941  
[www.peerlessmounts.com](http://www.peerlessmounts.com)

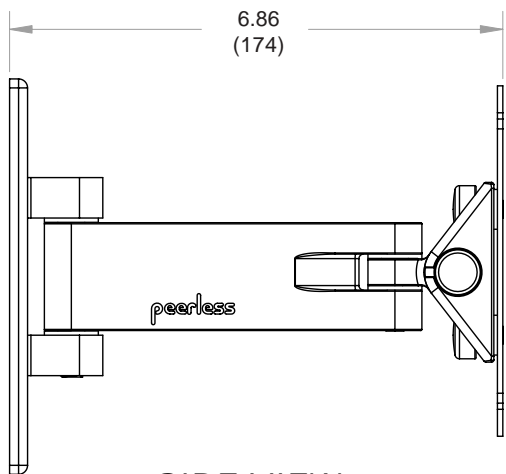
**ISSUED: 03-19-03 SHEET NO: 095-9592-8 09-05-06**

©2006 Peerless Industries, Inc. All rights reserved.  
 Peerless is a registered trademark of Peerless Industries, Inc.  
 All other brand and product names are trademarks or registered trademarks of their respective owners.

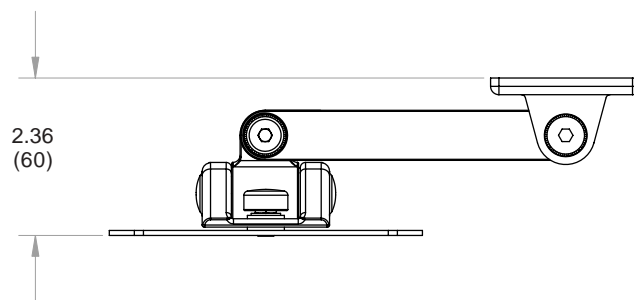
TECHNICAL DATA SHEET

**MODELS: SP 730P, SP 730P-S, D-LPL-100, RTLPL-100S**  
 Protected by U.S. Patent No. D488,708.

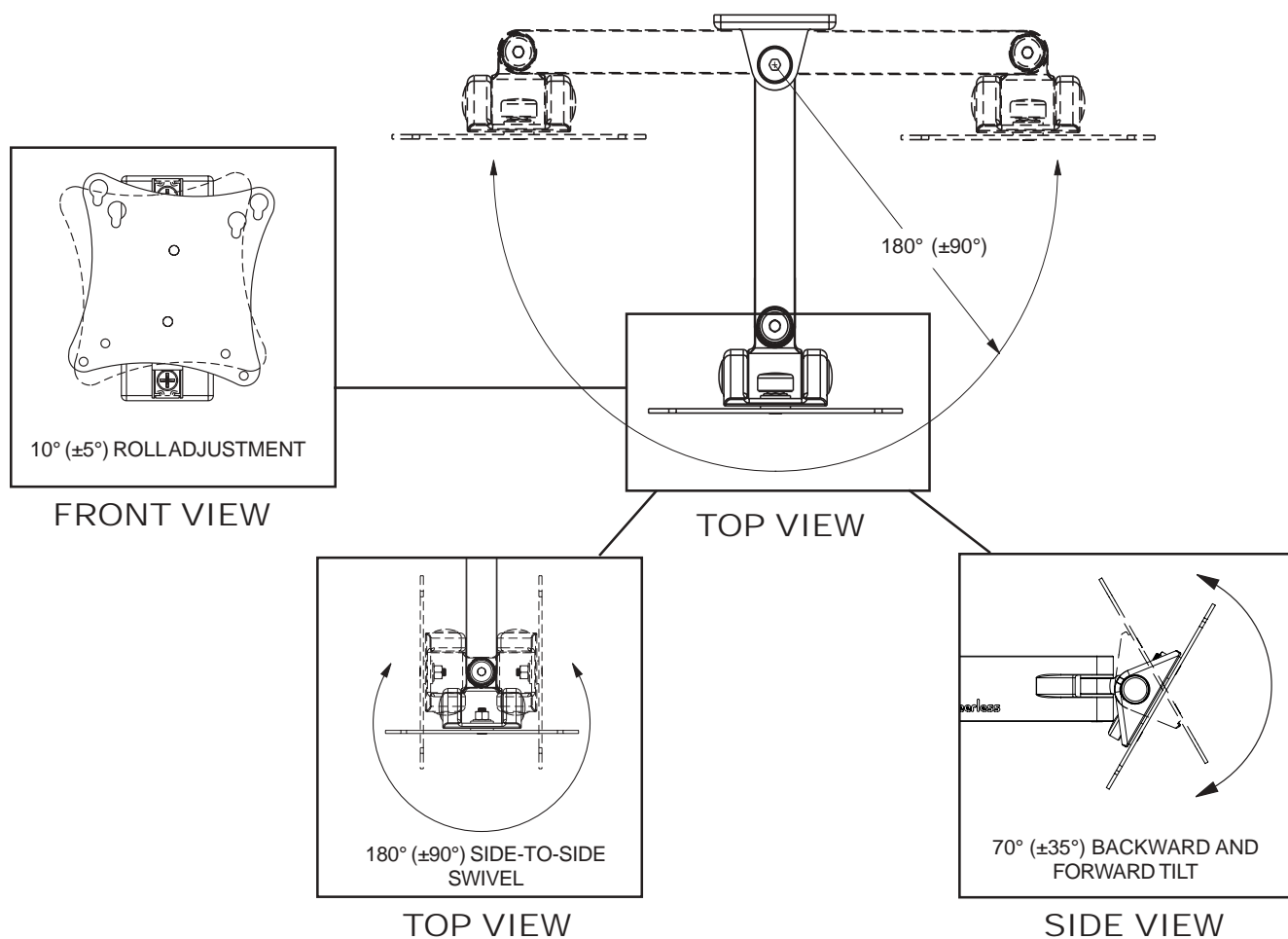
ALL DIMENSIONS = INCH (MM)



SIDE VIEW



TOP VIEW



FRONT VIEW

TOP VIEW

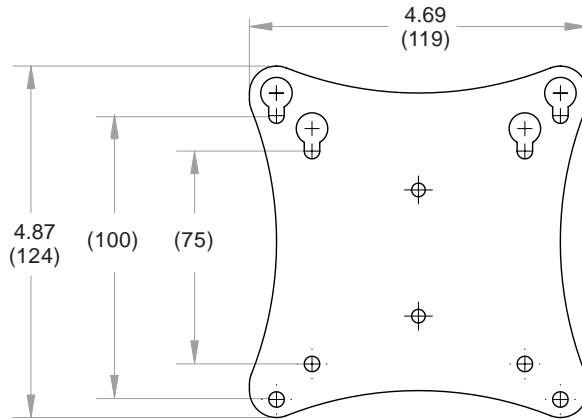
TOP VIEW

SIDE VIEW

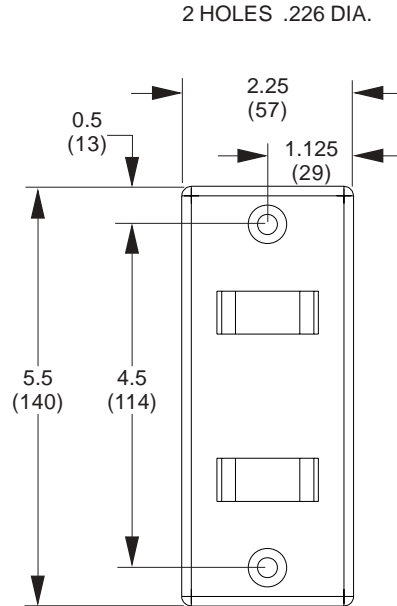
TECHNICAL DATA SHEET

**MODELS: SP 730P, SP 730P-S, D-LPL-100, RTLPL-100S**  
**Protected by U.S. Patent No. D488,708.**

ALL DIMENSIONS = INCH (MM)



ADAPTER BRACKET DETAIL



WALL PLATE DETAIL