

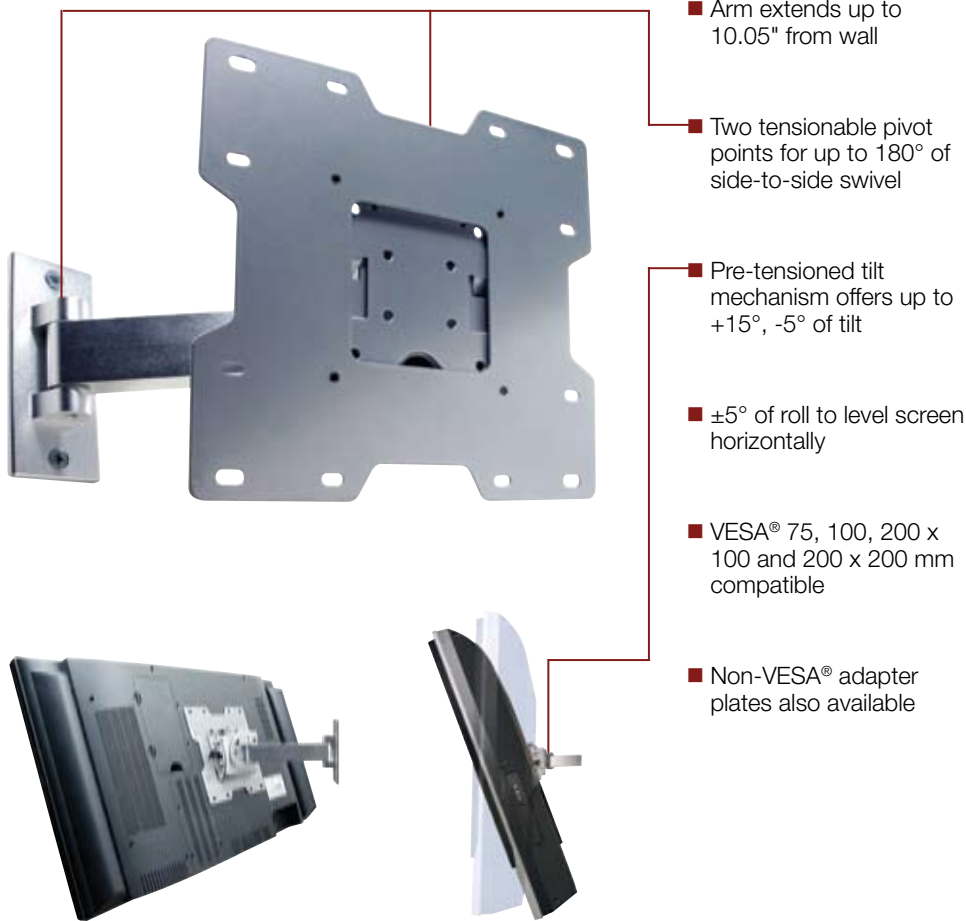
Flat Panel

Pivot Wall Mounts

SmartMount™

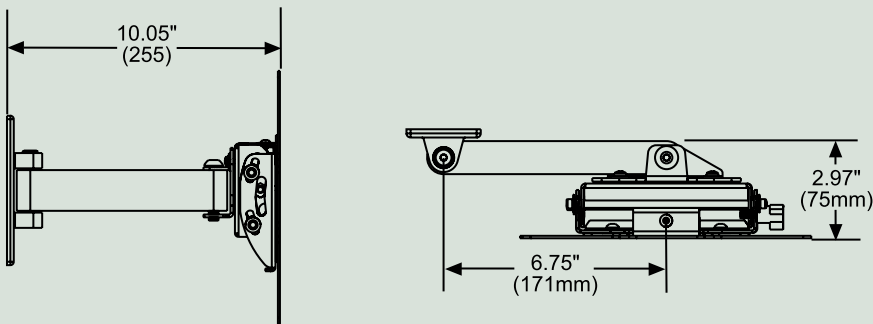
Pivot Wall Mount

For 22" to 40" LCD Screens



- Arm extends up to 10.05" from wall
- Two tensionable pivot points for up to 180° of side-to-side swivel
- Pre-tensioned tilt mechanism offers up to +15°, -5° of tilt
- ±5° of roll to level screen horizontally
- VESA® 75, 100, 200 x 100 and 200 x 200 mm compatible
- Non-VESA® adapter plates also available

* Includes standard hardware (hex or Phillips) for attaching screen to mount



MODELS

UNIVERSAL MODELS:

Standard Fasteners*

SP740P
SP740P-S

Black
Silver

SCREEN ADAPTER

UNIVERSAL MODELS:

Includes universal screen adapter plate to accommodate VESA® 75, 100, 200 x 100 and 200 x 200 mm mounting holes

SPECIFICATIONS

DIMENSIONS: (W x H x D)
8.75"-12.24" x 9.3" x 2.97"-10.05"
(22.21-31.0 x 23.7 x 7.5-25.5 cm)

TILT: +15°, -5°

SWIVEL: ±90°

ROLL: ±5°

MAX LOAD: 80 lb (36.2 kg)

SHIP WEIGHT: 5.4 lb (2.45 kg)

MOUNTING SURFACES: Wood stud, concrete,

cinder block and metal stud

(Metal stud accessory required)



ACCESSORIES

pg#

WSP490: Metal Stud Wall Plate..... 117

ACC919: Security Fasteners..... 121

To verify mount compatibility with any plasma, LCD, or projector model use Mount Finder™ at www.peerlessmounts.com 800.865.2112