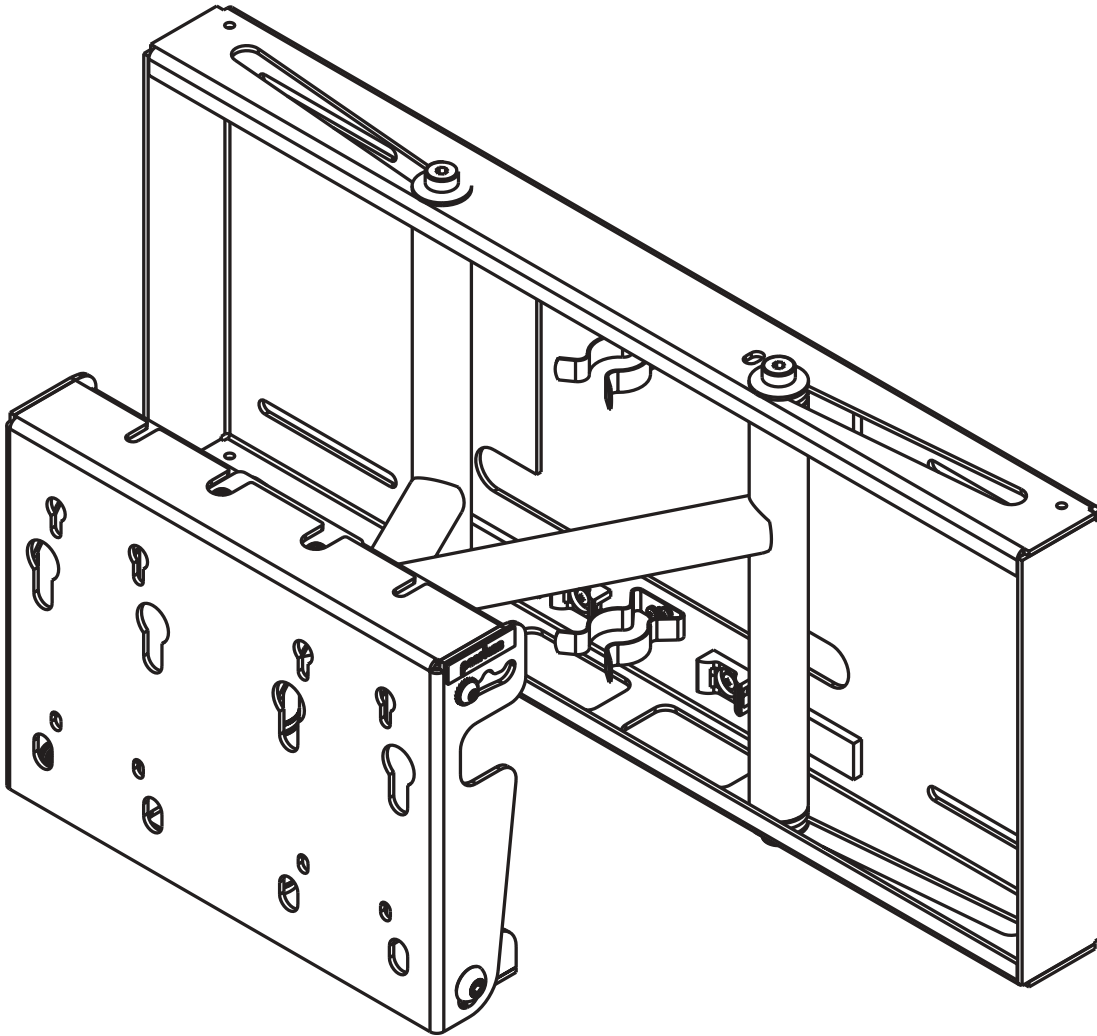


Installation and Assembly: Flat Panel Pull-out Swivel Wall Mount

Models: SP 850, SP 850P, SP 850-S, SP 850P-S



This product is intended for use with UL Listed products and must be installed by a qualified professional installer.

Max Load Capacity: 150 lb (68 kg)

Note: Read entire instruction sheet before you start installation and assembly.

⚠ WARNING

- Do not begin to install your Peerless product until you have read and understood the instructions and warnings contained in this Installation Sheet. If you have any questions regarding any of the instructions or warnings, please call Peerless customer care at 1-800-729-0307.
- This product should only be installed by a qualified professional.
- Make sure that the supporting surface will safely support the combined load of the equipment and all attached hardware and components.
- Never exceed the Maximum UL Load Capacity of 150 lb (68 kg).
- If mounting to wood wall studs, make sure that mounting screws are anchored into the center of the studs. Use of an "edge to edge" stud finder is highly recommended.
- Do not lift more weight than you can handle. Use additional man power or mechanical lifting equipment to safely handle placement of the screen.
- Tighten screws firmly, but do not overtighten. Overtightening can damage the items, greatly reducing their holding power.

Tools Needed for Assembly

- stud finder ("edge to edge" stud finder is recommended)
- 3/8" socket wrench (3/8" extended driver is recommended)
- phillips screwdriver
- drill
- 1/4" bit for concrete and cinder block wall
- 5/32" bit for wood stud wall
- level
- 6 mm allen wrench (if attaching to PLP models)
- scissors

Table of Contents

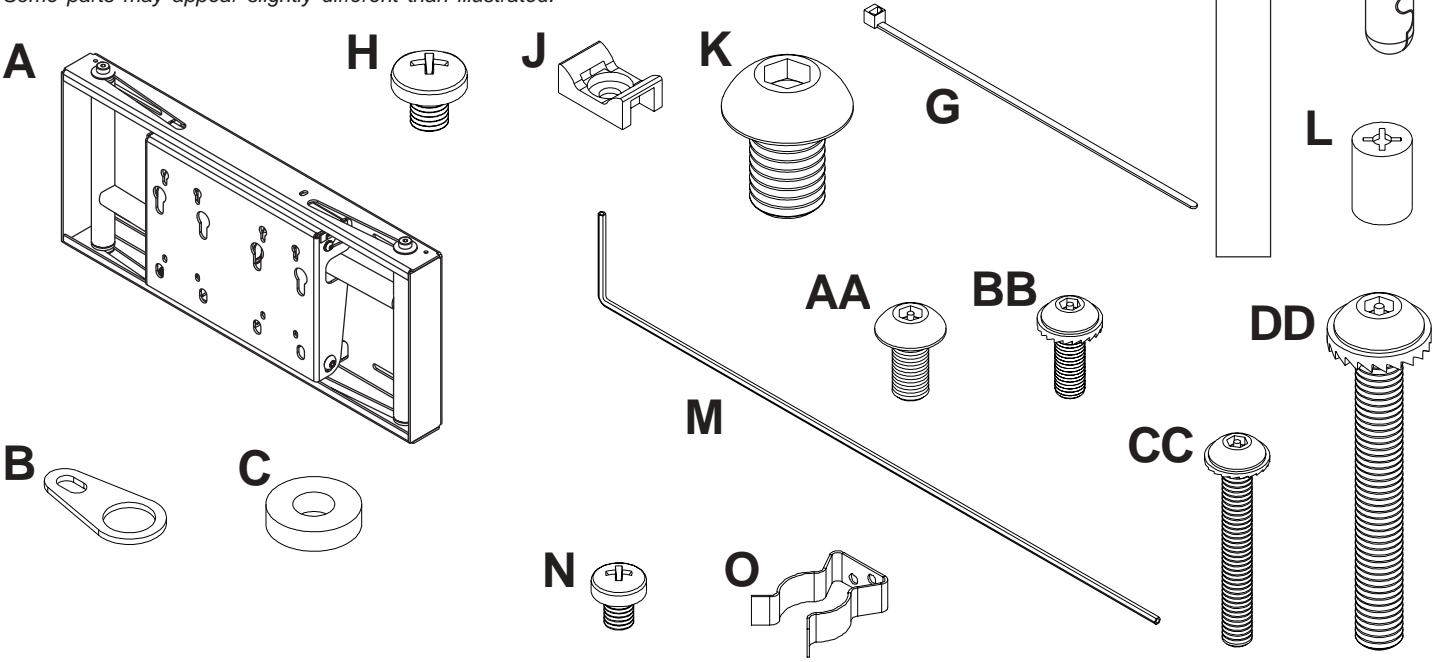
| | |
|---|----|
| Parts List | 3 |
| Installation to Wood Stud Wall | 4 |
| Installation to Solid Concrete and Cinder Block | 5 |
| Mounting Flat Panel Screen with VESA hole pattern | 7 |
| Mounting Flat Panel Screen with Peerless PLP model adapter plate (PLP adapter plates are not UL listed) | 8 |
| Screen Compatibility Chart | 10 |

For customer care call (800) 729-0307 or (708) 865-8870.

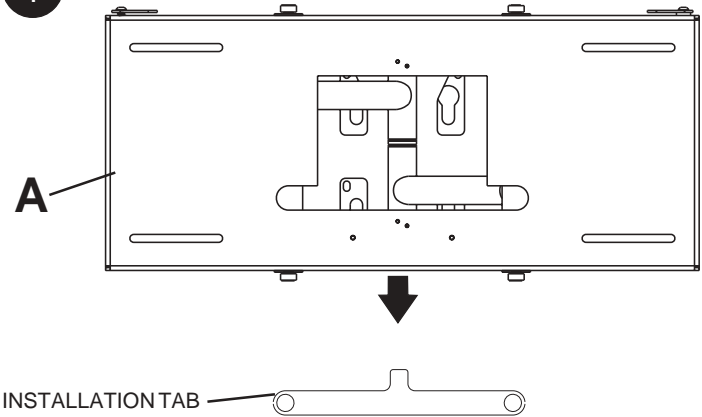
Parts List

| Description | Qty. | SP850 Part # | SP850P Part # | SP850-S Part # | SP850P-S Part # |
|---|------|-----------------|-----------------------------|-----------------|-----------------------------|
| A wall mount assembly | 1 | 201-0082 | 201-0083 | 201-0080 | 201-0081 |
| B locking tab | 1 | 200-1871 | 200-1871 | 200-4871 | 200-4871 |
| C .219 ID x .5 OD x .125H spacer | 1 | 540-1032 | 540-1032 | 540-1032 | 540-1032 |
| D #14 x 2.5" hex head wood screw | 4 | 5S1-015-C03 | 5S1-015-C03 | 5S1-015-C03 | 5S1-015-C03 |
| E Alligator® anchor | 4 | 590-0097 | 590-0097 | 590-0097 | 590-0097 |
| F 18" polyester mesh sleeve | 2 | 600-1014 | 600-1014 | 600-1014 | 600-1014 |
| G cable tie | 4 | 560-9711 | 560-9711 | 560-9711 | 560-9711 |
| H M4 x 5 mm phillips screw | 2 | 520-1307 | 520-1307 | 520-1307 | 520-1307 |
| I bumper strip | 1 | 570-1030 | 570-1030 | 570-1030 | 570-1030 |
| J plastic cable mount | 2 | 590-1199 | 590-1199 | 590-1199 | 590-1199 |
| K M10 x 15 mm socket head screw | 4 | 520-9262 | 520-9262 | 520-9262 | 520-9262 |
| L .198 x .313 x .437H retaining spacer | 4 | 590-5005 | 590-5005 | 590-5005 | 590-5005 |
| M 4 mm security allen wrench | 1 | 560-1146 | n/a | 560-1146 | n/a |
| N M3 x 4 mm phillips screw | 4 | 520-1306 | 520-1306 | 520-1306 | 520-1306 |
| O spring clip | 2 | 560-9725 | 560-9725 | 560-9725 | 560-9725 |
| | | Security | Phillips (not shown) | Security | Phillips (not shown) |
| AA M5 x 10 mm screw | 5 | 520-1063 | 520-1233 | 520-1063 | 520-1233 |
| BB M4 x 12 mm screw | 4 | 510-1079 | 504-9013 | 510-1079 | 504-9013 |
| CC M4 x 20 mm screw | 4 | 510-1061 | 504-9020 | 510-1061 | 504-9020 |
| DD M5 x 40 mm screw | 1 | 510-1001 | 520-1199 | 510-1001 | 520-1199 |

Some parts may appear slightly different than illustrated.



1 Snap installation tab off of wall mount assembly (A).



Installation to Wood Stud Wall

⚠ WARNING

- Make sure that the supporting surface will safely support the combined load of the equipment and all attached hardware and components.

2 Using a stud finder, locate the edges of the wood studs used in mounting this product. Use of an edge-to-edge stud finder is highly recommended. Based on its edges and using a level, draw a vertical line down the center of each stud. Mark a point (**point 1**) on the right stud centerline where upper right slot will be located. Using a level, mark a point (**point 2**) on the left stud centerline level with point 1 as shown in figure 1.1. Drill $5/32$ " diameter holes $2-1/2$ " deep through studs at the two points. Loosely fasten wall mount assembly (**A**) to wall using two #14 x $2-1/2$ " wood screws (**D**) as shown in figure 1.2. Level, hold, and then tighten screws.

Mark two more points for bottom slots on the right and left stud centerlines. Drill $5/32$ " diameter holes $2-1/2$ " deep through studs at the two points. Using two #14 x $2-1/2$ " wood screws, fasten bottom of wall mount assembly to wall as shown in figure 1.3.

Skip to step 3 on page 6.

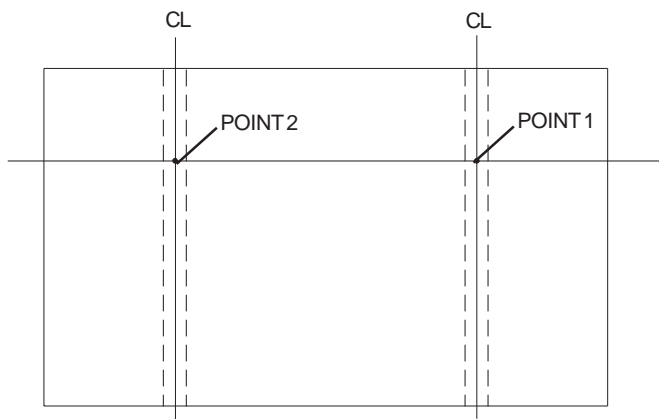


fig 1.1

CL = stud centerline

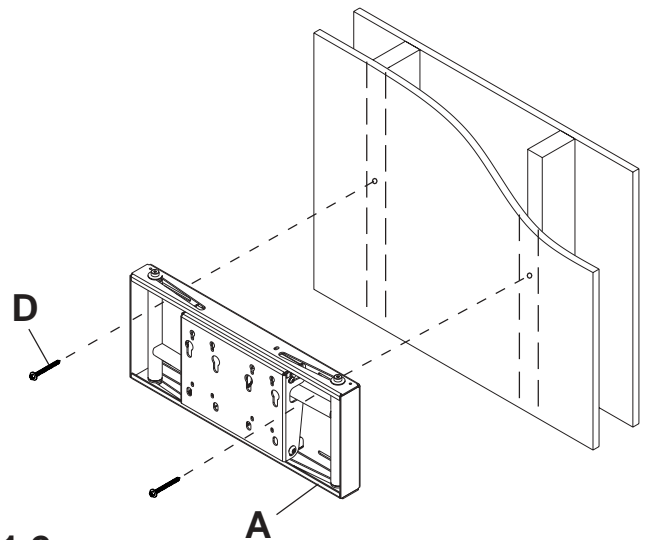


fig 1.2

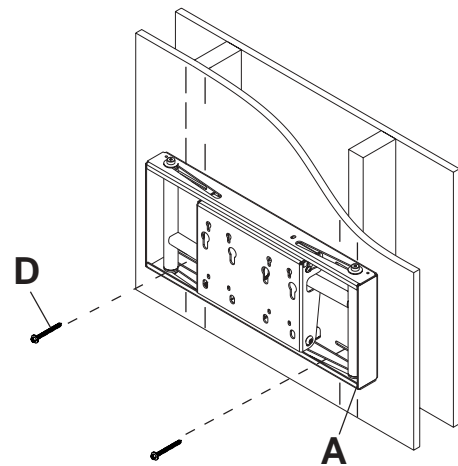


fig 1.3

⚠ WARNING

- Tighten wood screws so that wall plate is firmly attached, but do not overtighten. Overtightening can damage the screws, greatly reducing their holding power.
- Never tighten in excess of 80 in. • lb (9 N.M.).
- Make sure that mounting screws are anchored into the center of the stud. The use of an "edge to edge" stud finder is highly recommended.

Installation to Solid Concrete and Cinder Block Wall

⚠ WARNING

- When installing Peerless wall mounts on cinder block, verify that you have a minimum of 1-3/8" of actual concrete thickness in the hole to be used for the concrete anchors. Do not drill into mortar joints! Be sure to mount in a solid part of the block, generally 1" minimum from the side of the block. Cinder block must meet ASTM C-90 specifications. It is suggested that a standard electric drill on slow setting is used to drill the hole instead of a hammer drill to avoid breaking out the back of the hole when entering a void or cavity.
- Concrete must be 2000 psi density minimum. Lighter density concrete may not hold concrete anchor.
- Make sure that the supporting surface will safely support the combined load of the equipment and all attached hardware and components.

2 Position wall mount assembly (A) at desired position on wall. Use wall mount assembly, making sure that it is level, as a template to mark holes. Drill four 1/4" (6 mm) dia. holes to a minimum depth of 2-1/2" (64 mm). Concrete must be 2000 psi density minimum. Insert anchors (E) in holes flush with wall as shown in figure 1.4. Place wall mount assembly over anchors and secure with #14 x 2-1/2" (6 mm x 65 mm) wood screws (D) as shown in figure 1.5. Make sure wall plate is level and tighten all fasteners.

⚠ WARNING

- Tighten wood screws firmly, but do not overtighten. Overtightening can damage the screws, greatly reducing their holding power.
- Never tighten in excess of 80 in • lb (9 N.M.).

⚠ WARNING

- Concrete anchors are **not** intended for attachment to concrete wall covered with a layer of plaster, drywall, or other finishing material as shown below. If mounting to concrete wall covered with plaster/drywall is unavoidable, plaster/drywall (up to 5/8" thick) must be counterbored as shown below. Be sure concrete anchors do not pull away from concrete when tightening screws. If plaster/drywall is thicker than 5/8", custom fasteners must be supplied by installer.

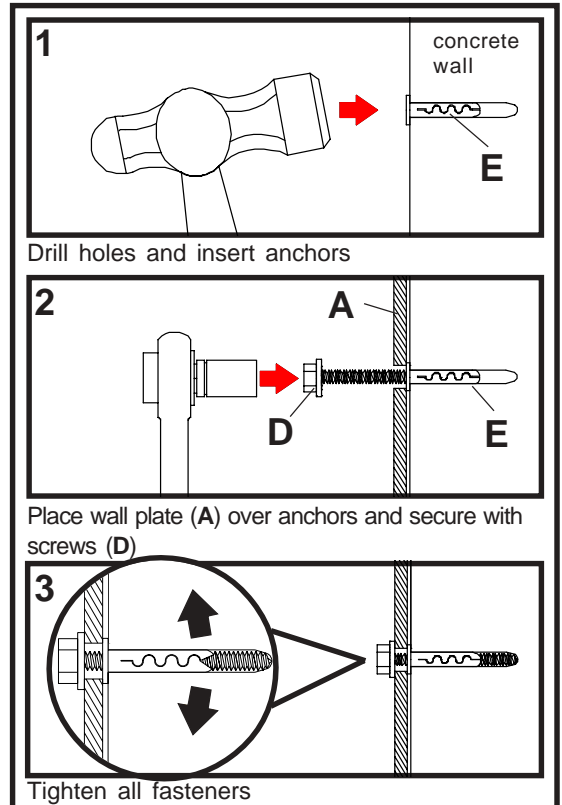


fig 1.4

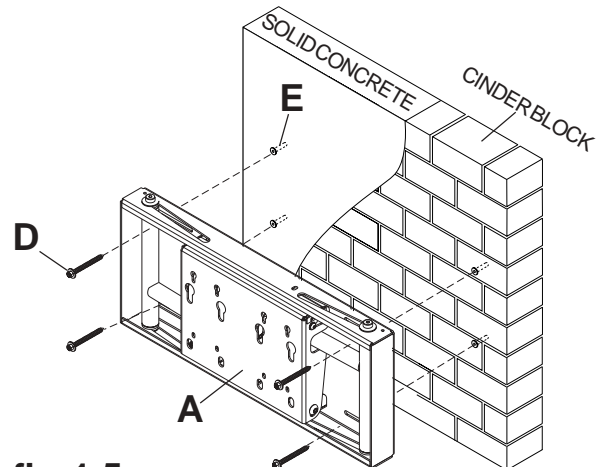
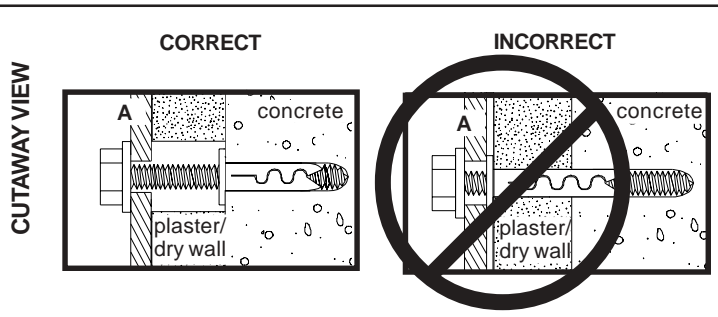
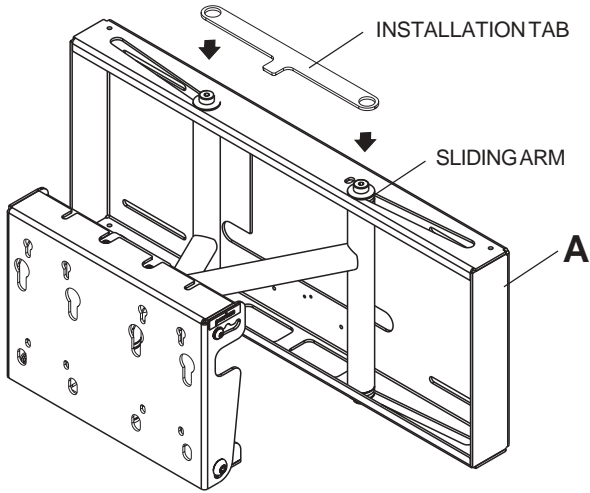


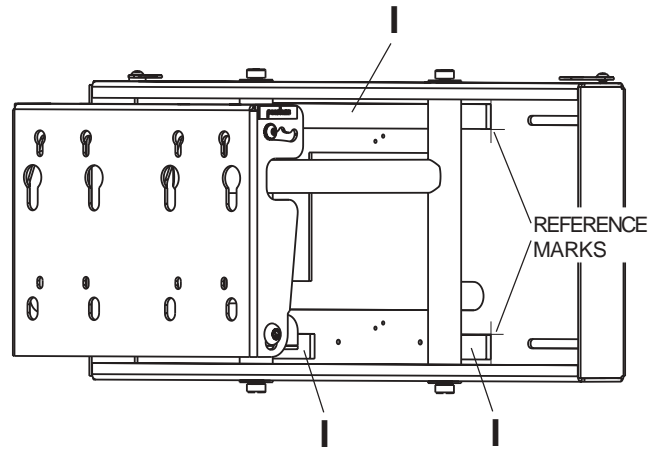
fig 1.5



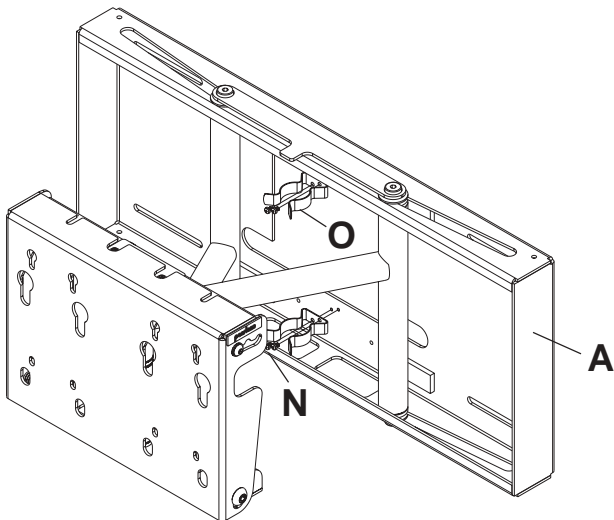
- 3 Place installation tab over sliding arms of wall mount assembly (A) to lock them in place.



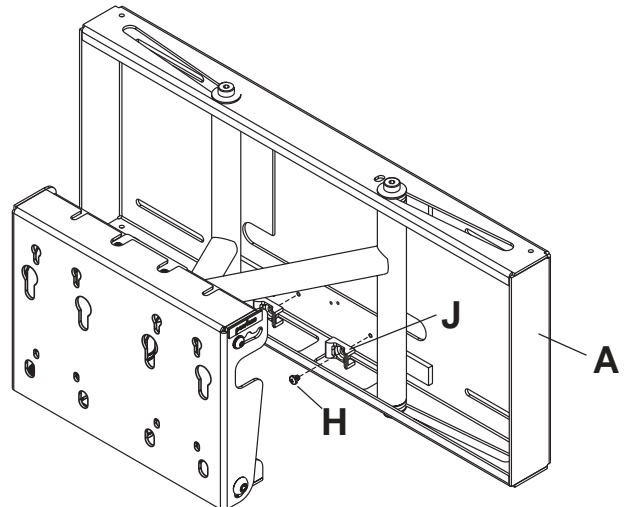
- 4 **Optional:** Using scissors, cut bumper strip (I) into two 2" pieces and one 10" piece. Adhere bumper strip pieces to wall mount assembly (A) where indicated by reference marks.



- 5 **Optional:** Attach two spring clips (O) to wall mount assembly (A) using four M3 x 4 mm phillips screws (N).



- 6 **Optional:** Attach two cable mounts (J) to wall mount assembly (A) using two M4 x 5 mm phillips screws (H).



FOR INSTALLING TO VESA 100 MM, 200 MM HOLE PATTERN

⚠ WARNING

- If screws don't get three complete turns in the screen inserts or if screws bottom out and adapter plate is still not tightly secured, damage may occur to screen or product may fail. Contact customer care for correct hardware to use.

7 Find the VESA® hole pattern as shown in figures 7.1 and 7.2, and attach screen to mounting plate as specified below. Verify that all holes are properly aligned, and then tighten screws. If using security screws, tighten using security allen wrench (**M**).

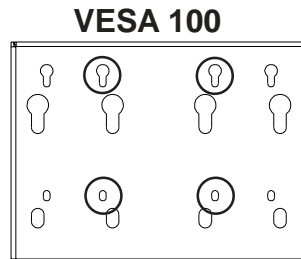


fig. 7.1

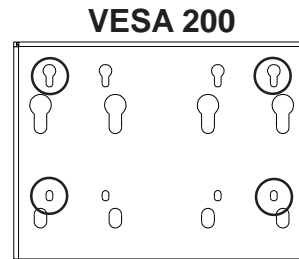


fig. 7.2

FOR VESA 100 MOUNTING PATTERN:

Thread two M4 x 12 mm screws (**BB**), leaving .25" exposed thread, into top holes on back of screen. Hook screen onto mounting plate, and attach using bottom two M4 x 12 mm screws as shown in figures 7.3 and 7.4. Tighten all four screws.

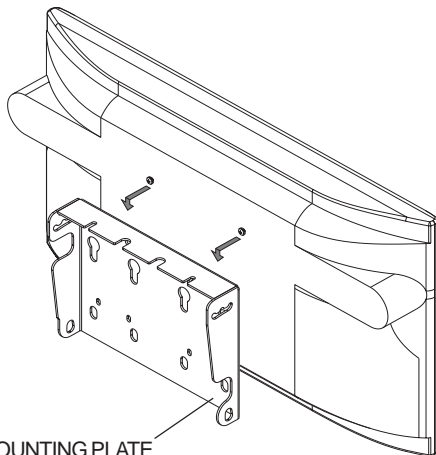
Note: If screw (**BB**) is too small to engage threaded inserts, attach mounting plate to back of screen using four M5 x 10 mm screws (**AA**).

FOR VESA 200 MOUNTING PATTERN:

Thread two M4 x 12 mm screws (**BB**), leaving .25" exposed thread, into top holes on back of screen. Hook screen onto mounting plate, and attach using two bottom M4 x 12 mm screws as shown in figures 7.3 and 7.4. Tighten all four screws.

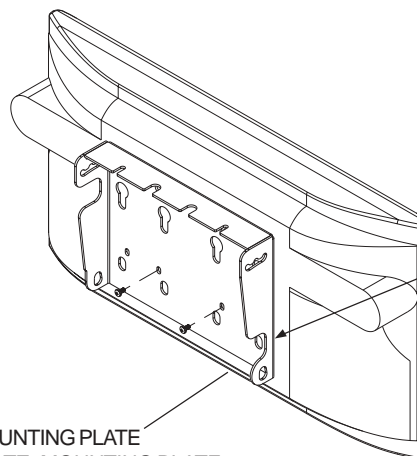
FOR SCREENS WITH VESA MOUNTING PATTERN IN A POCKET:

Thread two retaining spacers (**L**) onto two M4 x 20 mm screws (**CC**), leaving .25" exposed thread as shown in figure 7.5. Thread M4 x 20 mm screws with retaining spacers into top holes on back of screen. Hook screen onto mounting plate, and attach using bottom two M4 x 20 mm screws and retaining spacers as shown in figures 7.3 and 7.4. Tighten all four screws.



MOUNTING PLATE
(NOTE: MOUNTING PLATE SHOWN WITHOUT FULL WALL MOUNT ASSEMBLY FOR CLARITY)

fig. 7.3



MOUNTING PLATE
(NOTE: MOUNTING PLATE SHOWN WITHOUT FULL WALL MOUNT ASSEMBLY FOR CLARITY)

fig. 7.4

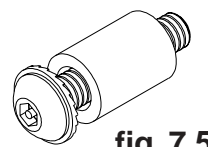


fig. 7.5

For screens with a hole pattern in a pocket, spacers (**L**) go between mounting plate and screen.

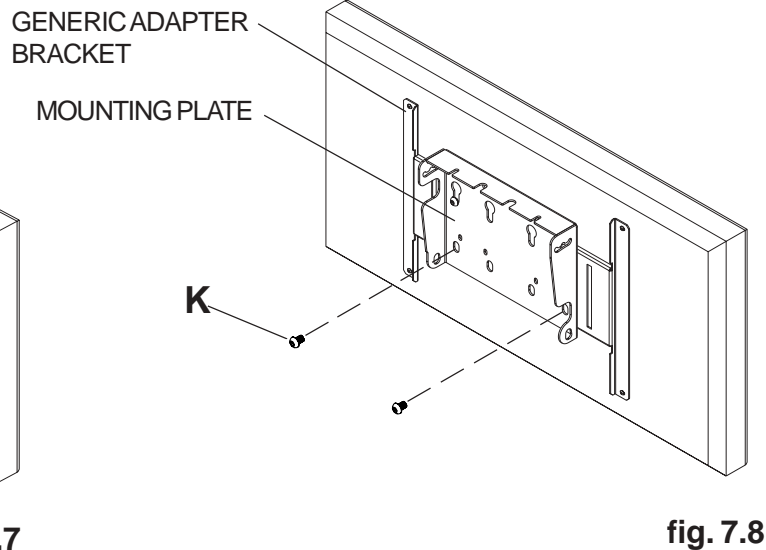
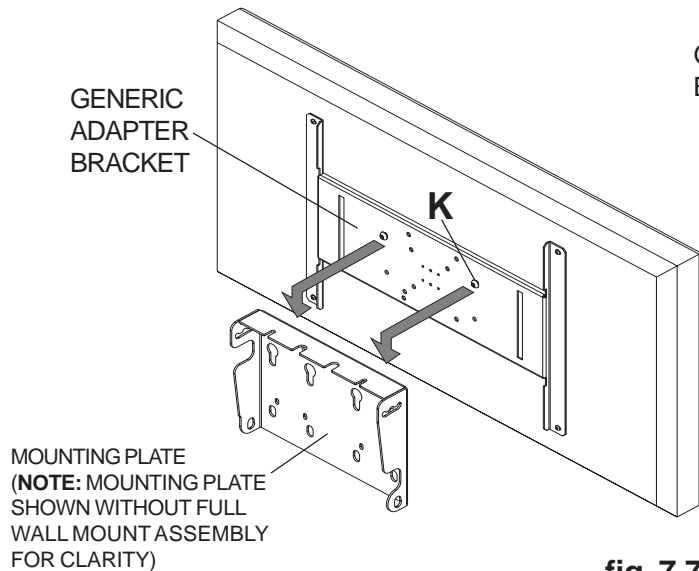
Note: Flat panel screen may appear slightly different than illustrated.

For screen compatibility please refer to the plasma interface list on our website www.peerlessmounts.com or call customer care for a screen specific adapter bracket (PLP models).

FOR INSTALLING TO PEERLESS PLP MODEL ADAPTER BRACKET (not UL listed)

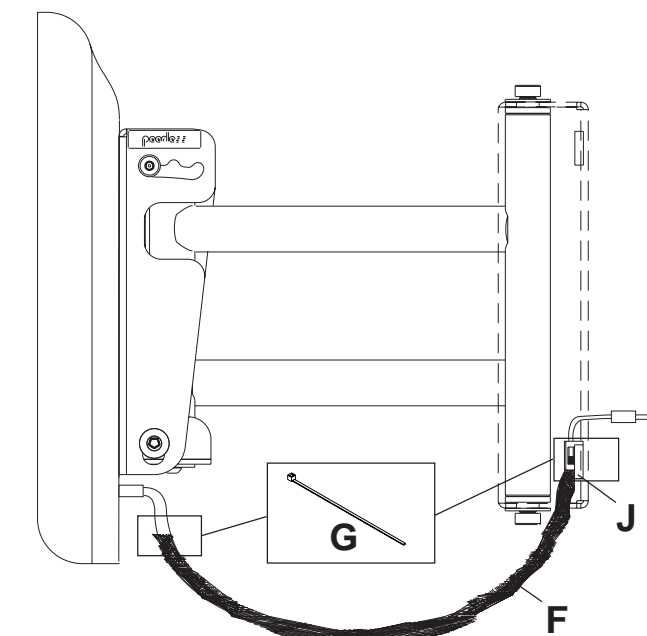
Note: Refer to PLP model adapter bracket instruction sheet for attachment of adapter bracket to screen.

- 7** Thread two M10 x 15 mm screws (**K**), leaving .25" exposed thread, into top holes on back of screen. Hook screen onto mounting plate, and attach using two bottom M10 x 15 mm screws as shown in figures 7.7 and 7.8. Tighten screws using 6 mm allen wrench (not included).



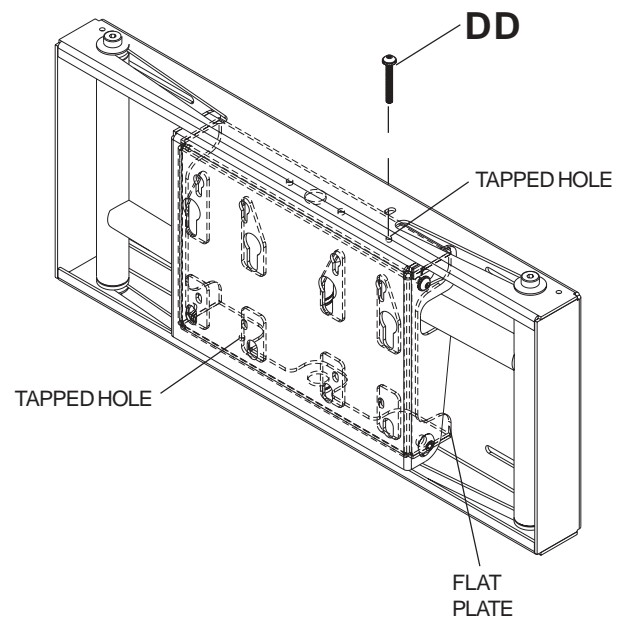
- 8** Slide one mesh sleeve (**F**) over each cable. Use cable ties (**G**) to tighten both ends of mesh sleeves to cables.

Note: If cable mounts (**J**) are used, loop cable ties through cable mounts and tighten cable and mesh sleeve to cable mounts.



- 9** **Optional:** To lock mount in closed position, insert one M5 x 40 mm screw (**DD**) into tapped hole in either top or bottom of flat plate.

Note: Screen not shown for clarity.



10

Screen can tilt 5° or 10° forward.

Note: Screen must be securely attached to mounting plate with all fasteners before adjusting tilt.

To tilt screen 5° forward, lift and pull mounting plate forward until middle notch rests on M6 screw as shown in figure 11.1. Tighten M6 screw.

To tilt screen 10° forward, lift and pull mounting plate forward until rear notch rests on M6 screw as shown in figure 11.2. Tighten M6 screw.

Note: For security models, tighten M6 screw using security allen wrench (M).

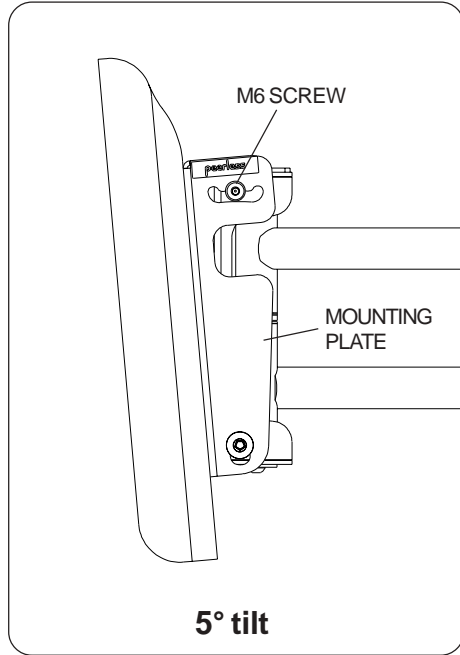


fig. 11.1

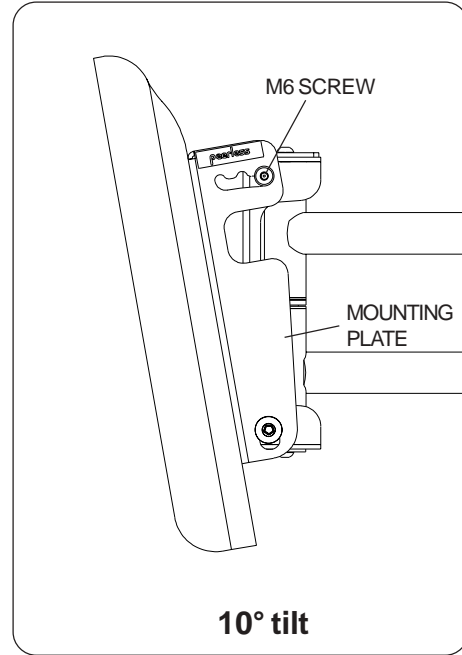


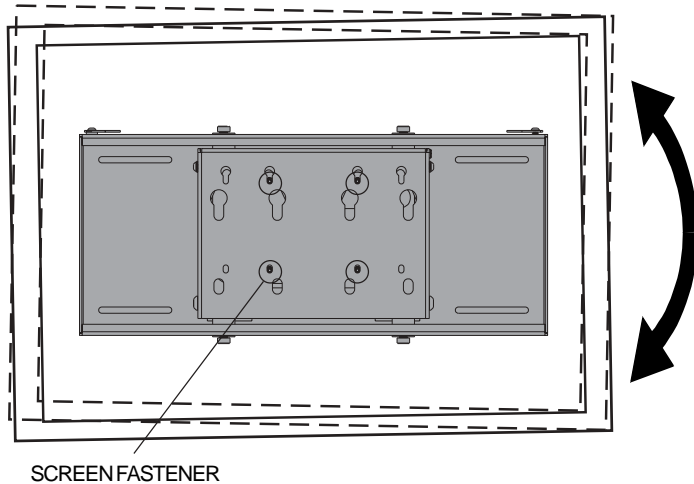
fig. 11.2

11

Roll can be adjusted 1° clockwise or counterclockwise.

To adjust roll, loosen screen fasteners slightly, leaving them snug. Level screen, then tighten screen fasteners.

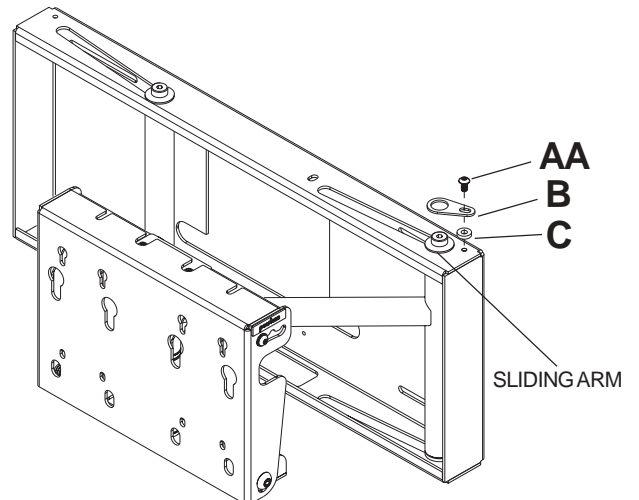
Note: When adjusting roll, M6 screws should be tight as indicated in step 10.



12

Optional: To lock one sliding arm of mount in place, slide locking tab (B) over top or bottom of sliding arm and attach to mount using one M5 x 10 mm screw (AA) and one spacer (C).

Note: Screen not shown for clarity.



Screen Compatibility Chart

| Manufacturer | Screen Size | Manufacturer Model |
|-----------------|-------------|--------------------|
| Apex | 27" | AVL-2776 |
| Dell | 26" | W2600 |
| Dell | 30" | W3000 |
| Gateway | 26" | GTW-L26M103 |
| Gateway | 30" | GTW-L30M103 |
| Hewlett Packard | 30" | LC3040N |
| Hyundai | 26" | HQL260WR |
| Hyundai | 32" | HQL320WR |
| LG | 26" | 26LX1D |
| LG | 26" | RM-26LZ30 |
| LG | 26" | RU-26LZ30 |
| LG | 26" | Z26LZ5R |
| LG | 27" | RU-27LZ50C |
| LG | 30" | DU-30LZ30 |
| LG | 30" | L3000H |
| LG | 30" | L3020T |
| LG | 30" | RU-30LZ50C |
| LG | 32" | RU-32LZ30C |
| LG | 32" | RU-32LZ50C |
| Magnavox | 26" | 26MF605W/17 |
| Magnavox | 32" | 32MF605W/17 |
| MAXENT | 27" | MX-27X1 |
| MAXENT | 30" | MX-30X1 |
| MAXENT | 32" | MX-32X3 |
| Mitsubishi | 30" | LT-3020 |
| Mitsubishi | 30" | LT-3040 |
| Mitsubishi | 30" | LT-3050 |
| Mitsubishi | 30" | MLM300 |
| NEC-Mitsubishi | 30" | LCD3000 |
| NuVision | 26" | NVX26HDU |
| NuVision | 32" | NVX32HDU |
| Ovideon | 27" | LC2700w |
| Ovideon | 30" | LC3000W |
| Philips | 26" | 26MF605W/17 |
| Philips | 26" | 26PF9966 |
| Philips | 30" | 300WN5VB |
| Philips | 32" | 32MF605W/17 |
| Philips | 32" | 32PF5320 |
| PixelPro | 27" | PX-27XP10 |
| PixelPro | 30" | PX-30XP10 |
| PowerSpec | 30" | LC30D |
| Pro View | 32" | RX-326 |
| Protron | 32" | PLTV32C |
| Samsung | 26" | LN-R2668W |
| Samsung | 26" | LN-R267W |
| Samsung | 26" | LN-R268W |
| Samsung | 26" | LT-P266W |
| Sceptre | 30" | X30SV- Naga III |

| Manufacturer | Screen Size | Manufacturer Model |
|---------------|-------------|--------------------|
| Sharp | 26" | IT-26M1U |
| Sharp | 26" | LC-26D5U |
| Sharp | 26" | LC-26D7U |
| Sharp | 26" | LC-26GA4U |
| Sharp | 26" | LC-26GD4U |
| Sharp | 26" | LC-26GD6U |
| Sharp | 26" | LD-26SH1U |
| Sharp | 30" | LC-30HV2U |
| Sharp | 30" | LC-30HV4U |
| Sharp | 30" | LC-30HV6U |
| Sony | 26" | KLVS26A10 |
| Sony | 26" | KLVS26A10 |
| Syntax/Olevia | 26" | LT26HV |
| Syntax/Olevia | 26" | LT26HVX |
| Syntax/Olevia | 27" | LT27HV |
| Syntax/Olevia | 30" | LT30HV |
| Syntax/Olevia | 32" | LT32HV |
| Syntax/Olevia | 37" | LT37HV |
| Tatung | 27" | V27CMTT |
| Tatung | 30" | V30CMTT |
| Toshiba | 26" | 26HL83 |
| Toshiba | 26" | 26HL84 |
| Toshiba | 32" | 32HL84 |
| Viewsonic | 27" | N2750w |
| Westinghouse | 27" | LTV-27w2 |
| Westinghouse | 27" | W32701 |
| Westinghouse | 30" | W33000 |
| Westinghouse | 30" | W33001 |
| Westinghouse | 32" | LTV-32w1 |
| Westinghouse | 37" | LVM-37w1 |
| Winbook | 32" | LC32 |
| Zenith | 27" | L27W46 |