

Universal Wall and Ceiling Speaker Mounts



The universal wall and ceiling mount provides the ultimate flexibility in mounting to achieve premium sound quality. Speakers up to 20 lb can be mounted to the wall or ceiling. The ball and socket design allows for multi-directional positioning.

- Easy to install
- Wires can be hidden, mounting screws are concealed
- Can be used with or without 3" extension
- 120 degrees of rotational adjustment

**SPK 811/
SPK 811W**



Universal Wall and Ceiling Speaker Mounts

Model Numbers

SPK 811
SPK 811W

Product Specifications

- Ball and socket design for multi-directional positioning
- 120° range of adjustment in all directions
- Speaker wires can be hidden for an aesthetically appealing installation
- Concealed mounting screws
- Can be assembled as a flush mount or used with a 3" extension
- Hardware for wood studs, metal studs, concrete and drywall
- Fastener pack contains hardware for mounting most commercially available speakers

FEATURES

LOAD CAPACITY

20 lb (9.1 kg)

DIMENSIONS (W x H x D)

2.02" x 3.27" x 2.43" (5.1 x 8.3 x 6.2 cm)
With extension: 2.02" x 3.27" x 4.72" (5.1 x 8.3 x 11.99 cm)

PRODUCT WEIGHT

0.72 lb (0.3 kg)

MATERIAL

Engineered Polymer Materials

AVAILABLE COLOR

Black: SPK 811
White: SPK 811W

Package Specifications

Mount, extension, hardware
(see technical data sheet
for hardware specifications)

PACKAGE CONTENTS

UNITS IN PACKAGE

1

PACKAGE SIZE (W x H x L)

9.125" x 6.75" x 2.5" (23.8 x 17.4 x 6.4 cm)

PACKAGE SHIP WEIGHT

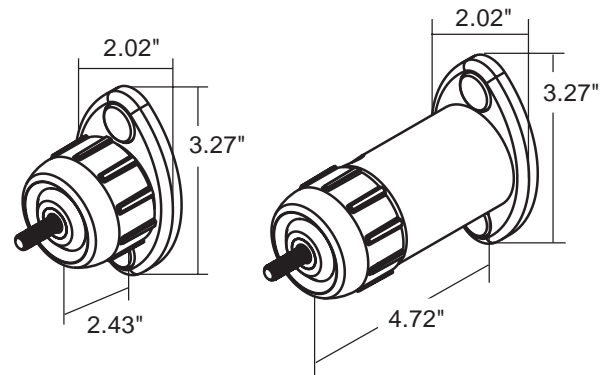
0.96 lb (0.4 kg)

PACKAGE UPC CODE

SPK 811: 735029214823
SPK 811W: 735029214830

WARRANTY

Limited 5-year



(800) 865-2112
www.peerlessmounts.com

Peerless Industries, Inc.
3215 W. North Avenue, Melrose Park, IL 60160
(708) 865-8870 or (800) 865-2112 Fax: (708) 865-2941 www.peerlessmounts.com

© 2005 Peerless Industries, Inc. All rights reserved.
Peerless is a registered trademark of Peerless Industries, Inc.
All other brand and product names are trademarks or registered trademarks of their respective owners.

LIT-0026 rev1