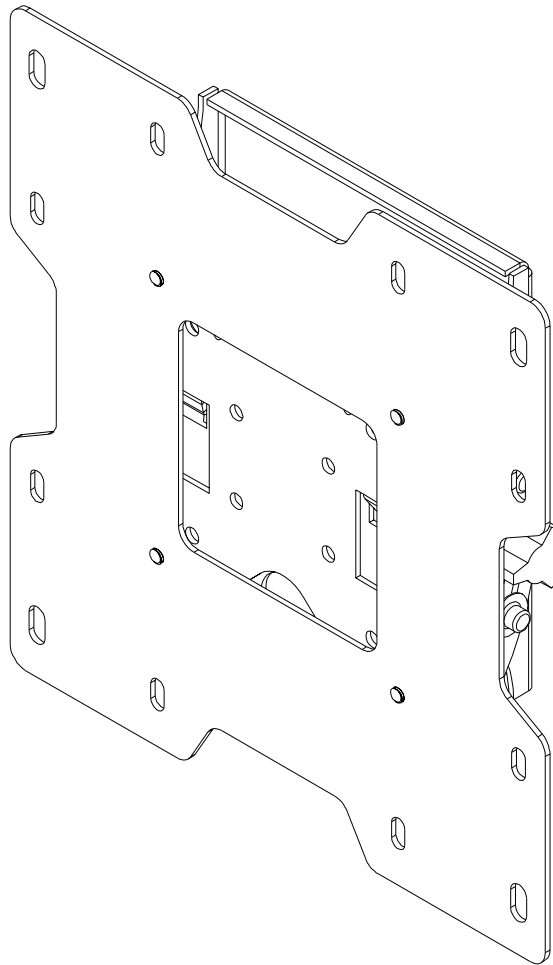


## Installation and Assembly:

### Universal Tilt Wall Mount for 10" - 37" LCD Flat Panel Screens

---

Models: ST 632P, ST 632P-S, ST 632, ST 632-S, RTFPT 632, RTFPT 632-S



#### Features:

- Fits 10" to 37" flat panel screens
- One-touch tilt for effortless positioning and adjustment of the screen
- Integrated security features provide effective theft deterrence



This product is intended for use with UL Listed products and must be installed by a qualified professional installer.

Max UL Load Capacity: 115 lb (52.2 kg)

**Note:** Read entire instruction sheet before you start installation and assembly.

## **WARNING**

- Do not begin to install your Peerless product until you have read and understood the instructions and warnings contained in this Installation Sheet. If you have any questions regarding any of the instructions or warnings, call Peerless customer care at 1-800-729-0307.
- This product should only be installed by someone of good mechanical aptitude, has experience with basic building construction, and fully understands these instructions.
- Make sure that the supporting surface will safely support the combined load of the equipment and all attached hardware and components.
- Never mount this product to a metal stud wall construction unless the stud can be verified to be constructed of 25 gauge steel minimum, the drywall is 1/2" thick minimum and you obtain and use the Peerless accessory kit for metal studs.
- Never exceed the Maximum UL Load Capacity.
- If mounting to wood wall stud wall construction, make sure that mounting screws are anchored into the center of the studs. Use of an "edge to edge" stud finder is highly recommended.
- Always use an assistant or mechanical lifting equipment to safely lift and position equipment.
- Tighten screws firmly, but do not overtighten. Overtightening can damage the items, greatly reducing their holding power. See suggested torque values where applicable within these instructions.

### **Tools Needed for Assembly**

- stud finder ("edge to edge" stud finder is recommended)
- phillips screwdriver
- drill
- 1/4" bit for concrete and cinder block wall
- 1/2" bit for metal stud wall
- 5/32" bit for metal or wood stud wall
- level

### **Accessories**

- Metal Stud Fastener Kit (ACC 215) (Not evaluated by UL)
- Video Conferencing Shelf (ACC 309) (Not evaluated by UL)
- Accessory Shelves (PM 600, PM 610) (Not evaluated by UL)

### **Table of Contents**

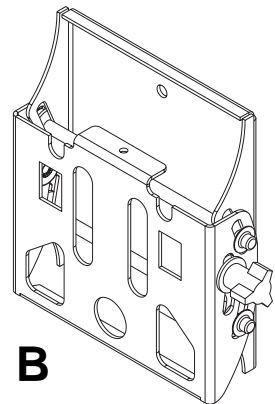
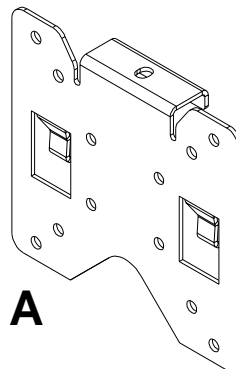
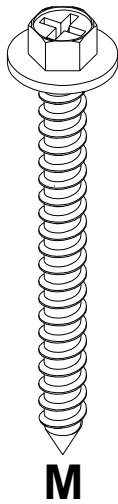
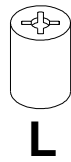
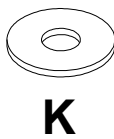
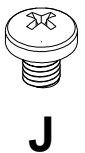
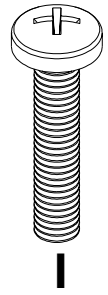
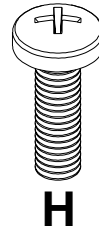
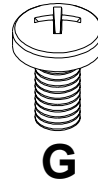
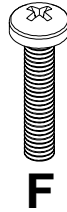
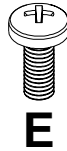
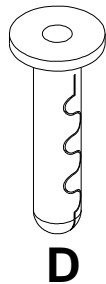
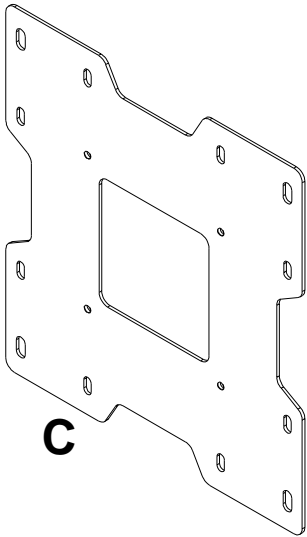
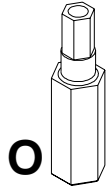
---

|   |   |
|---|---|
| Parts List .....  | 3 |
| Installation to Single Wood Stud Wall .....   | 4 |
| Installation to Solid Concrete or Cinder Block .....                                | 5 |
| Attaching Adapter Plate to Screen with VESA 200 or 200 x 200 Mounting Pattern ..... | 6 |
| Attaching Hook Bracket to Screen with VESA 75 or 100 Mounting Pattern .....         | 7 |
| Installing and Removing Flat Panel Screen .....                                     | 8 |

*For customer care call (800) 729-0307 or (708) 865-8870.*

# Parts List

| Description                               | Qty | ST 632P,<br>RTFPT 632 | ST 632P-S,<br>RTFPT 632-S | ST 632      | ST 632-S    |
|---|-----|-----------------------|---------------------------|-------------|-------------|
|   |     | Part #                | Part #                    | Part #      | Part #      |
| <b>A</b> hook bracket                     | 1   | 095-1346              | 095-4346                  | 095-1346    | 095-4346    |
| <b>B</b> tilt assembly                    | 1   | 095-0359              | 095-0360                  | 095-0359    | 095-0360    |
| <b>C</b> adapter plate                    | 1   | 095-1322              | 095-4322                  | 095-1322    | 095-4322    |
| <b>D</b> Alligator® anchor                | 2   | 590-0097              | 590-0097                  | 590-0097    | 590-0097    |
| <b>E</b> M4 x 10 mm phillips screw        | 4   | 504-9012              | 504-9012                  | 504-9012    | 504-9012    |
| <b>F</b> M4 x 20 mm phillips screw        | 4   | 504-9020              | 504-9020                  | 504-9020    | 504-9020    |
| <b>G</b> M6 x 12 mm phillips screw        | 4   | 520-1128              | 520-1128                  | 520-1128    | 520-1128    |
| <b>H</b> M6 x 20 mm phillips screw        | 4   | 520-9402              | 520-9402                  | 520-9402    | 520-9402    |
| <b>I</b> M6 x 30 mm phillips screw        | 4   | 510-9109              | 510-9109                  | 510-9109    | 510-9109    |
| <b>J</b> M5 x 6 mm phillips screw         | 5   | 520-1023              | 520-1023                  |             |             |
| <b>K</b> #10 washer                       | 4   | 540-9400              | 540-9400                  | 540-9400    | 540-9400    |
| <b>L</b> retaining spacer                 | 4   | 590-5005              | 590-5005                  | 590-5005    | 590-5005    |
| <b>M</b> #14 x 2-1/2" hex head wood screw | 2   | 5S1-015-C03           | 5S1-015-C03               | 5S1-015-C03 | 5S1-015-C03 |
| <b>N</b> M5 x 6 mm socket pin screw       | 1   |                       |                           | 520-1114    | 520-1114    |
| <b>O</b> 4 mm securtiy driver             | 1   |                       |                           | 560-1133    | 560-1133    |



## Installation to Single Wood Stud Wall

### ⚠ WARNING

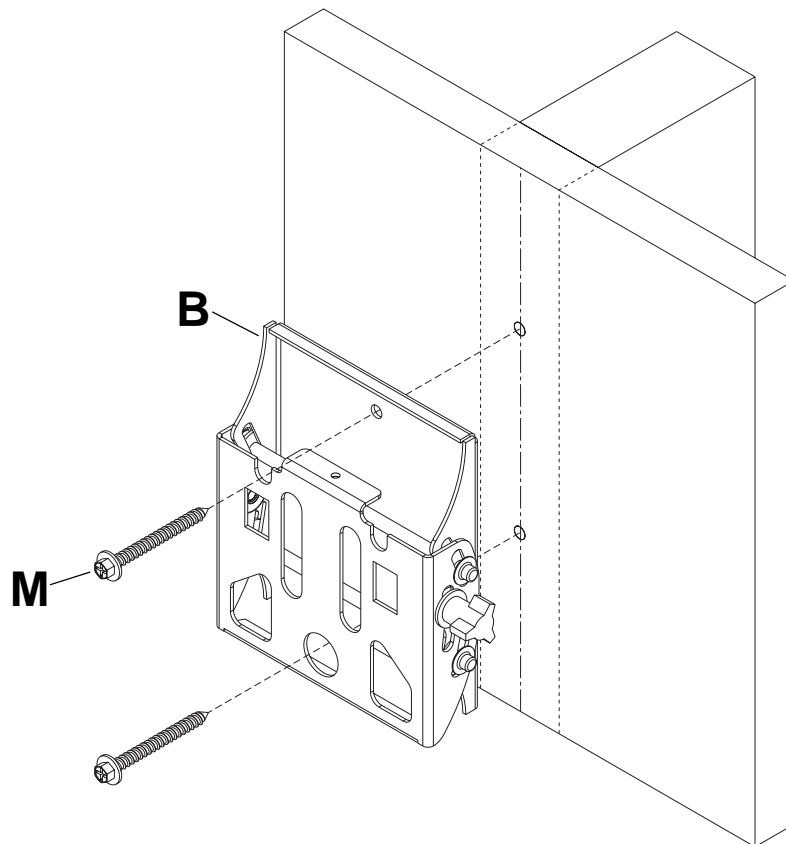
- Make sure that the wall will safely support the combined load of the equipment and all attached hardware and components.

- 1 Use a stud finder to locate the edges of the stud. Use of an edge-to-edge stud finder is highly recommended. Based on its edges, draw a vertical line down the stud's center. Place tilt assembly (**B**) on wall as a template, making sure that the two mounting holes are over the stud centerline. Level tilt assembly, and mark the center of the two holes. Drill two 5/32" (4 mm) dia. holes 2-1/2" (65 mm) deep. Make sure that the tilt assembly is level, secure it using two #14 x 2-1/2" wood screws (**M**) as shown.

*Skip to step 2 on page 6.*

### ⚠ WARNING

- Tighten wood screws so that tilt assembly is firmly attached, but do not overtighten. Overtightening can damage the screws, greatly reducing their holding power.
- Never tighten in excess of 80 in. • lb (9 N.M.).
- Make sure that mounting screws are anchored into the center of the stud. The use of an "edge to edge" stud finder is highly recommended.
- Hardware provided is for attachment of mount through standard thickness drywall or plaster into wood studs. Installers are responsible to provide hardware for other types of mounting situations.



# Installation to Solid Concrete or Cinder Block

## ⚠ WARNING

- When installing Peerless wall mounts on cinder block, verify that you have a minimum of 1-3/8" of actual concrete thickness in the hole to be used for the concrete anchors. Do not drill into mortar joints! Be sure to mount in a solid part of the block, generally 1" minimum from the side of the block. Cinder block must meet ASTM C-90 specifications. It is suggested that a standard electric drill on slow setting is used to drill the hole instead of a hammer drill to avoid breaking out the back of the hole when entering a void or cavity.
- Concrete must be 2000 psi density minimum. Lighter density concrete may not hold concrete anchor.
- Make sure that the supporting surface will safely support the combined load of the equipment and all attached hardware and components.

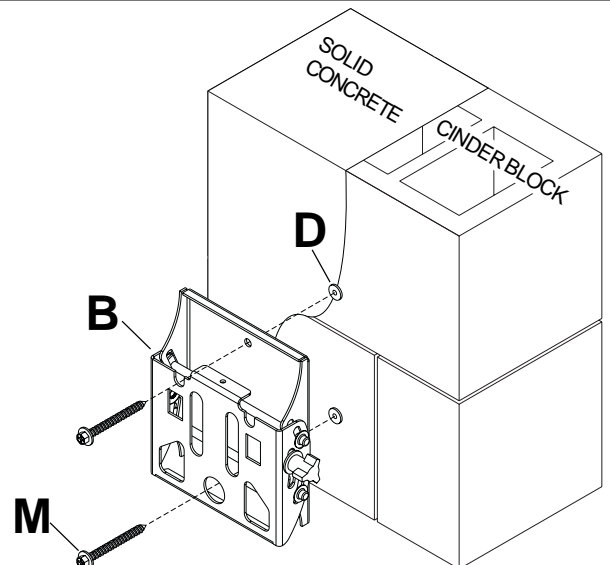
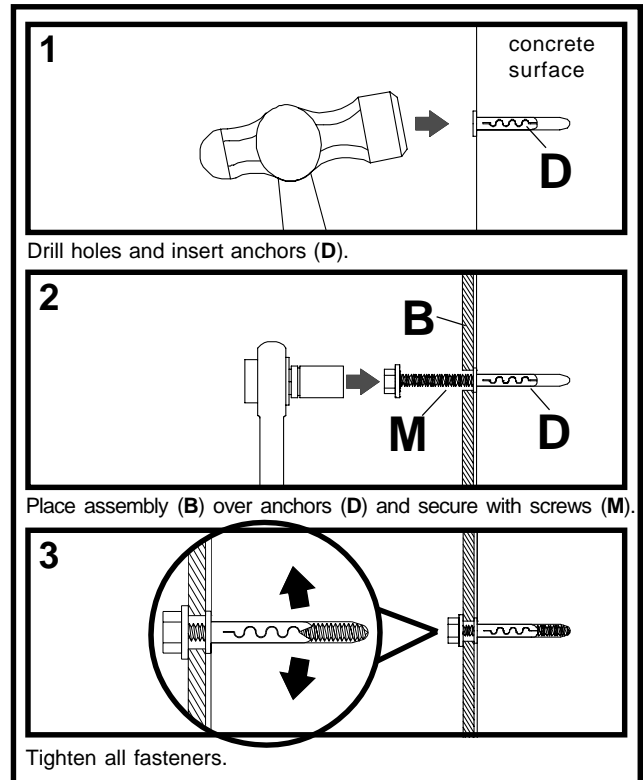
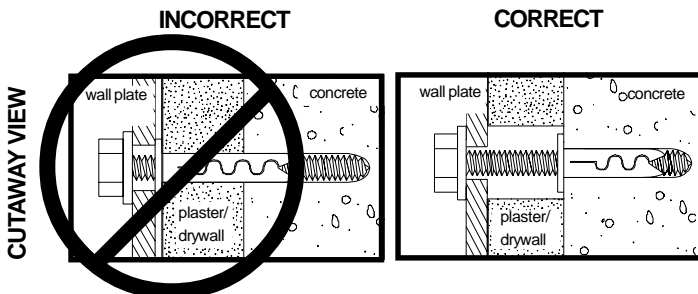
- 1** Make sure that tilt assembly (B) is level, use it as a template to mark two mounting holes. Drill two 1/4" (6 mm) dia. holes to a minimum depth of 2-1/2" (64 mm). Insert anchors (D) in holes flush with wall as shown (right). Place tilt assembly over anchors and secure with two #14 x 2-1/2" screws (M). Level, then tighten all fasteners.

## ⚠ WARNING

- Tighten screws so that wall plate is firmly attached, but do not overtighten. Overtightening can damage screws, greatly reducing their holding power.
- Never tighten in excess of 80 in. • lb (9 N.M.).

## ⚠ WARNING

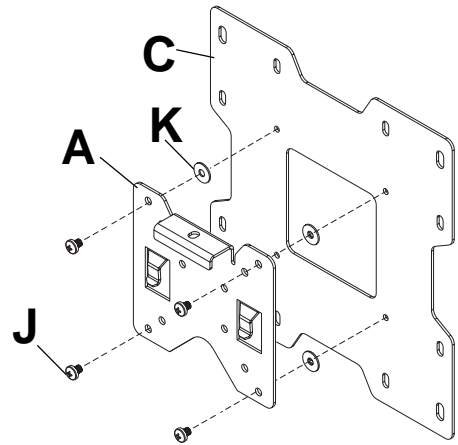
- Always attach concrete expansion anchors directly to load-bearing concrete.
- Never attach concrete expansion anchors to concrete covered with plaster, drywall, or other finishing material. If mounting to concrete surfaces covered with a finishing surface is unavoidable, the finishing surface must be counterbored as shown below. Be sure concrete anchors do not pull away from concrete when tightening screws. If plaster/drywall is thicker than 5/8", custom fasteners must be supplied by installer.



# Attaching Adapter Plate to Screen with VESA 200 or 200 x 200 Mounting Pattern

**Note:** For VESA 75 mm and 100 mm patterns, see following page.

- 2** Attach hook bracket (A) to adapter plate (C) using four M5 x 6 mm screws (J) and #10 washers (K) as shown.



## ⚠ WARNING

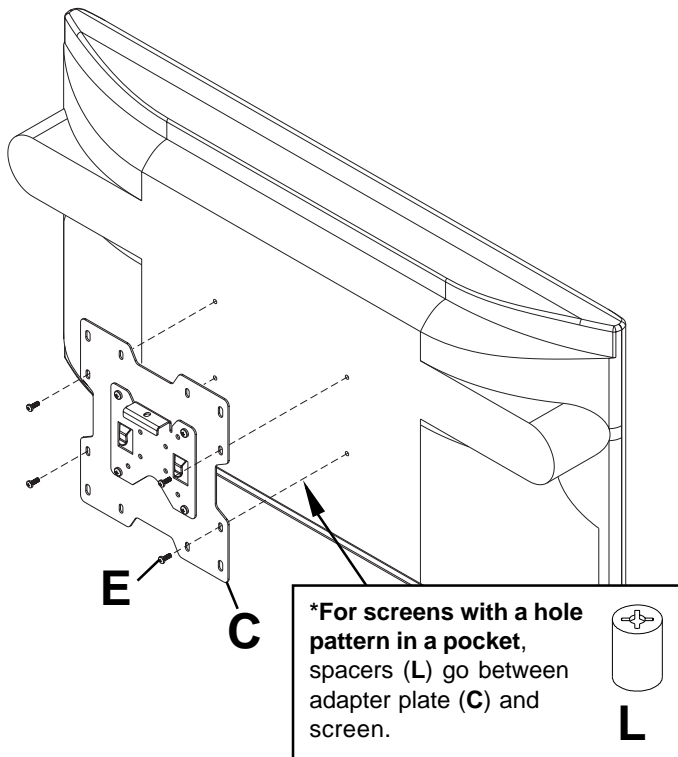
- If screws don't get three complete turns in the screen inserts or if screws bottom out and adapter plate is still not tightly secured, damage may occur to screen or product may fail.

### FOR VESA 200 MOUNTING PATTERN:

- 2-1** Choose hole pattern as shown below. Attach adapter plate (C) to back of screen using four M4 x 10 mm screws (E) as shown below.

**\*Note:** If screw (E) gets less than three threads of engagement, attach adapter plate (C) to back of screen using four M4 x 20 mm screws (F) and four spacers (L) as indicated below.

*Skip to step 3 on page 8.*

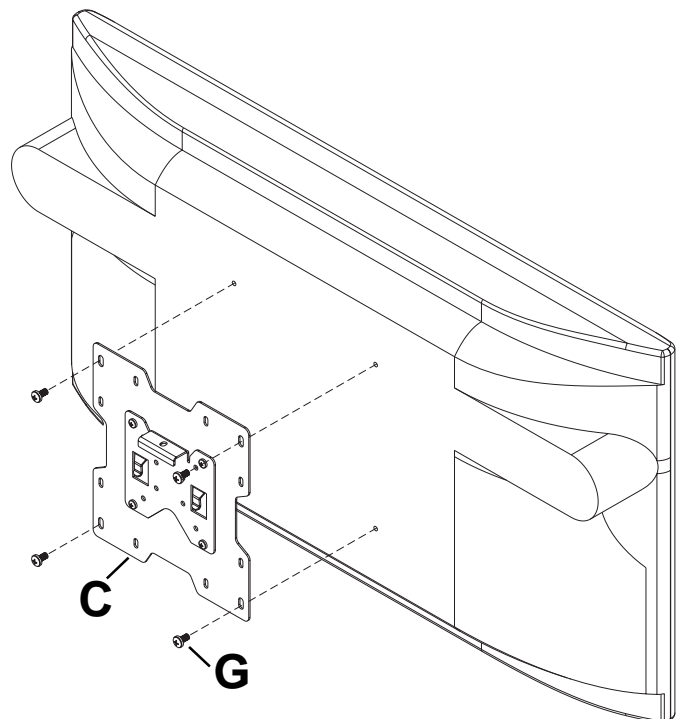


### FOR VESA 200 x 200 MOUNTING PATTERN:

Choose hole pattern as shown below. Attach adapter plate (C) to back of screen using four M6 x 12 mm screws (G) as shown below.

**\*Note:** If screw (G) gets less than three threads of engagement, attach adapter plate (C) to back of screen using four M6 x 20 mm screws (H). If screw (H) still gets less than three threads of engagement, use four M6 x 30 mm screws (I).

*Skip to step 3 on page 8.*



# Attaching Hook Bracket to Screen with VESA 75 or 100 Mounting Pattern

## ⚠ WARNING

- If screws don't get three complete turns in the screen inserts or if screws bottom out and bracket is still not tightly secured, damage may occur to screen or product may fail.

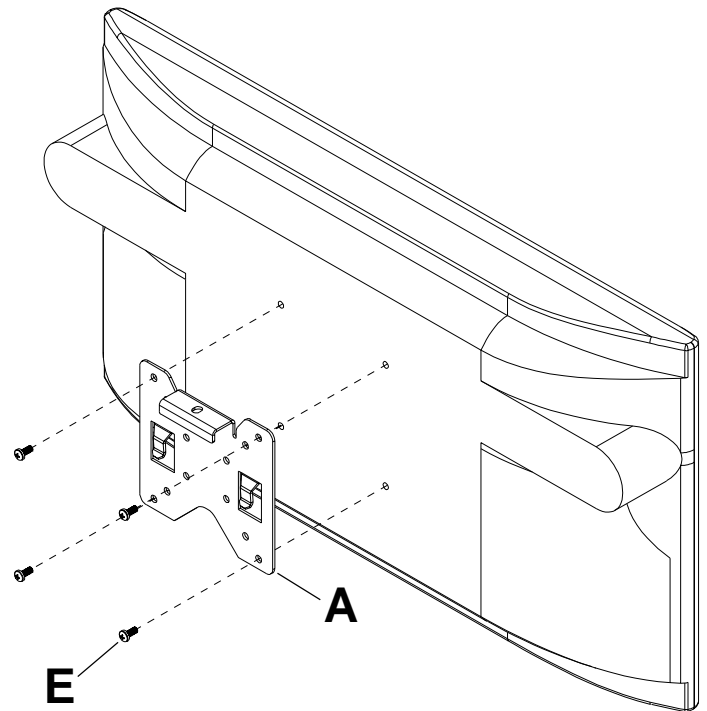
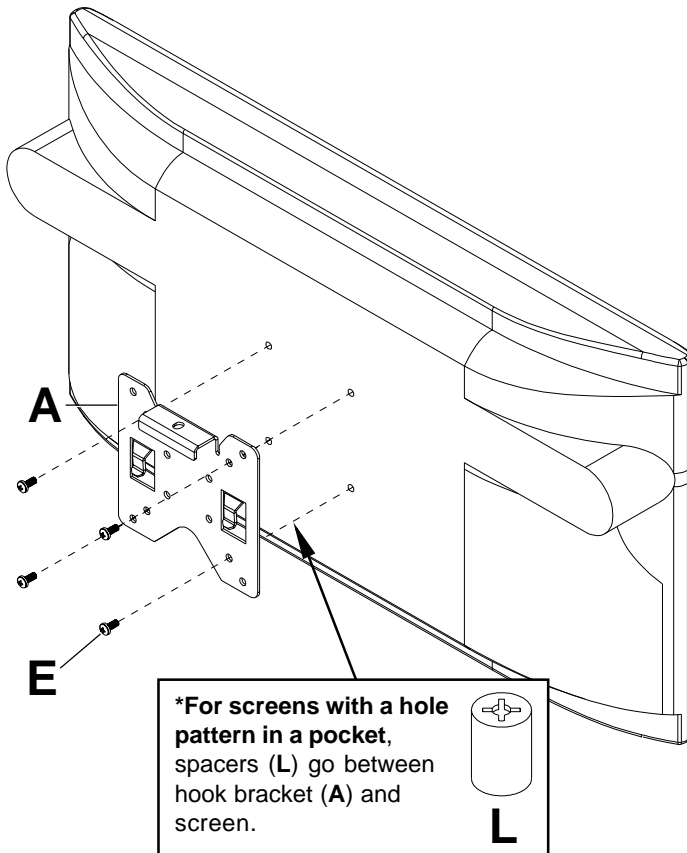
### FOR VESA® 75 MOUNTING PATTERN:

- 2** Choose hole pattern as shown below. Attach hook bracket (A) to back of screen using four M4 x 10 mm screws (E) as shown below.

**\*Note:** If hole pattern is in a pocket, attach hook bracket (A) to back of screen using four M4 x 20 mm screws (F) and four retaining spacers (L) as indicated below.

### FOR VESA 100 MOUNTING PATTERN:

- Choose hole pattern as shown below. Attach hook bracket (A) to back of screen using four M4 x 10 mm screws (E) as shown below.



## Installing and Removing Flat Panel Screen

- 3** Attach screen to tilt assembly (**B**). Tighten M5 x 6 mm screw (**J** or **N**) to lock screen to tilt assembly.

For security installation tighten M5 x 6 mm socket pin screw (**N**) using 4 mm security driver (**O**) to lock screen to tilt assembly.

To remove screen from mount, loosen screw (**J** or **N**) and lift screen off of mount.

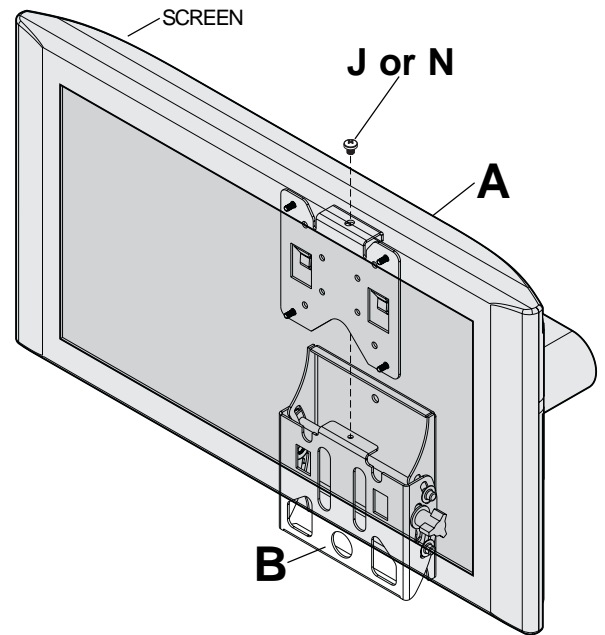


fig. 3

### ⚠ WARNING

- Do not lift more weight than you can handle. Use additional man power or mechanical lifting equipment to safely handle placement of the screen.
- Failure to lock hook bracket (**A**) with screw (**J**) can cause screen to come off mount if hit accidentally.

### CAUTION

- Do not tighten screws with excessive force. Overtightening can cause damage to mount. Tighten screws to 20 in. • lb (2.26 N.M.) maximum torque.

## Adjusting the Tilt Angle of the Flat Panel Screen

- 4** Adjust tension knob on right side of mount shown in figure 4.1 to desired tension to balance your screen size and weight.

**Note:** If knob is inaccessible, remove screen from mount, adjust tension knob to desired tension to balance your screen size and weight, and reattach screen to mount as stated in step 3.

Push or pull from top or bottom of screen to adjust tilt as shown in figure 4.1. The tilt can be adjusted to a maximum of 15° forward or 5° backward.

**Note:** To lock the screen into the desired tilt position, tighten tension screw on left side of mount shown in figure 4.2 using phillips screw.

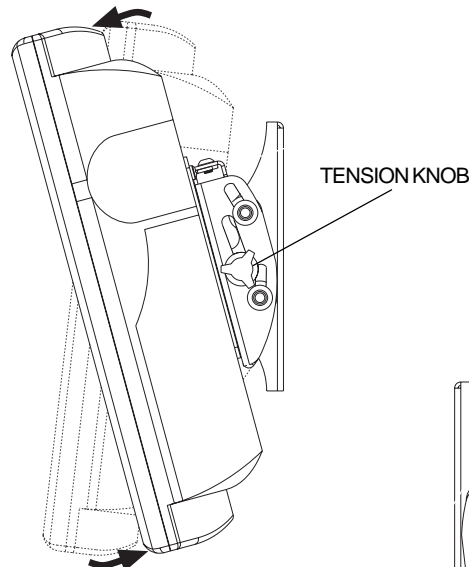


fig. 4.1

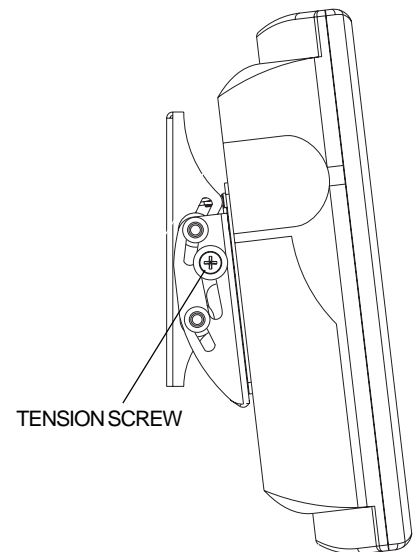


fig. 4.2

### CAUTION

- Do not tighten screws with excessive force. Overtightening can cause damage to mount. Tighten screws to 40 in. • lb (4.5 N.M.) maximum torque.

### ⚠ CAUTION

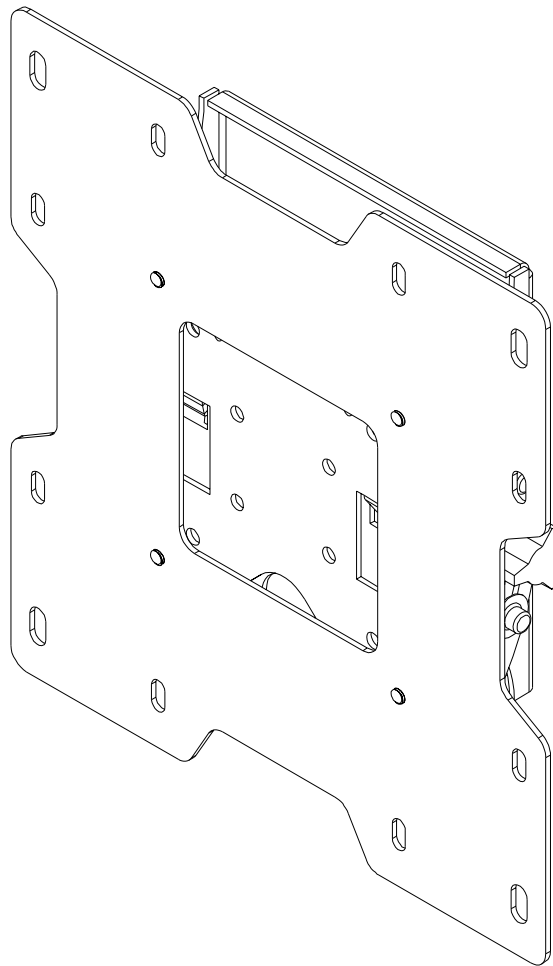
- Be careful not to pinch fingers when pushing screen from the bottom.



## Installation et assemblage :

### Support mural universel inclinable pour écrans de 25 à 92,5 cm (10 à 37 po)

Models: ST 632P, ST 632P-S, ST 632, ST 632-S, RTFPT 632, RTFPT 632-S



### Caractéristiques :

- Convient à des écrans plats de 25 à 92,5 cm (10 à 37 po)
- Positionnement et réglage sans effort sur simple pression du dispositif d'inclinaison
- Fonctions sécuritaires intégrées de nature à décourager les vols



This product is intended for use with UL Listed products and must be installed by a qualified professional installer.

Max UL Load Capacity: 115 lb (52.2 kg)

**Remarque :** Lisez entièrement la fiche d'instructions avant de commencer l'installation et l'assemblage.

## **⚠ ADVERTISSEMENT**

- Ne commencez pas à installer votre produit Peerless avant d'avoir lu et assimilé les instructions et les mises en garde contenues dans cette fiche d'installation. Pour toute question concernant les instructions ou les mises en garde, appelez le service à la clientèle de Peerless au 1-800-729-0307.
- Ce produit ne doit être installé que par une personne ayant de bonnes aptitudes en mécanique, expérimentée en travaux de construction élémentaires, et démontrant une parfaite compréhension de ces instructions.
- Assurez-vous que la surface de support pourra soutenir sans danger la charge combinée de l'équipement, de toute sa visserie et de tous ses composants.
- Ne montez jamais ce produit sur un mur à montants métalliques avant de vous être assuré que le montant est en acier de calibre 25 au minimum, que la cloison sèche a au moins 12,5 cm (1/2 po) d'épaisseur, et sans utiliser le kit d'accessoires Peerless pour montants métalliques.
- Ne dépassez jamais la capacité de charge maximum établie par l'UL.
- Si vous effectuez le montage sur un mur à montants en bois, assurez-vous que les vis de montage sont ancrées au centre des montants. L'usage d'un localisateur « bord à bord » est fortement conseillé.
- Pour lever et positionner l'équipement en toute sécurité, faites-vous toujours aider par une autre personne ou utilisez un matériel de levage mécanique.
- Serrez fermement les vis, mais sans excès. Un serrage excessif peut endommager les éléments et en réduire considérablement le pouvoir de maintien. Référez-vous aux couples de serrage suggérés dans ces instructions, dans les cas applicables.

### **Outils nécessaires pour l'assemblage**

- localisateur de montants (le localisateur de montants « bord à bord » est recommandé)
- tournevis cruciforme
- perceuse
- mèche de 1/4 po pour les murs en béton et les blocs de béton de mâchefer
- mèche de 1/2 po pour les murs à montants métalliques
- mèche de 5/32 po pour les murs à montants métalliques ou à montants en bois
- niveau

### **Accessoires**

- Kit d'éléments de fixation pour montants métalliques (ACC215) (n'a pas fait l'objet d'une évaluation par UL)
- Étagère pour vidéoconférence (ACC 309) (n'a pas fait l'objet d'une évaluation par UL)
- Étagères pour accessoires (PM 600, PM 610) (n'ont pas fait l'objet d'évaluations par UL)

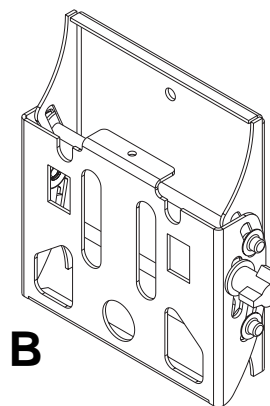
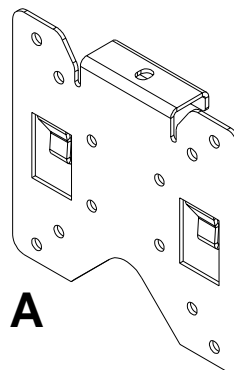
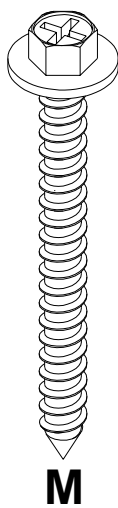
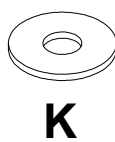
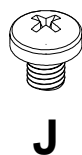
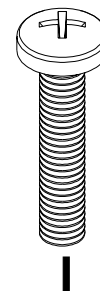
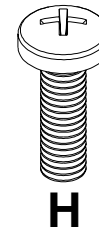
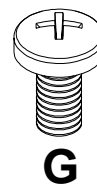
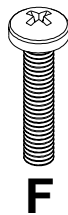
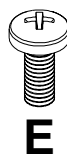
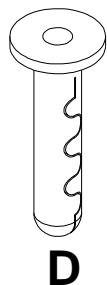
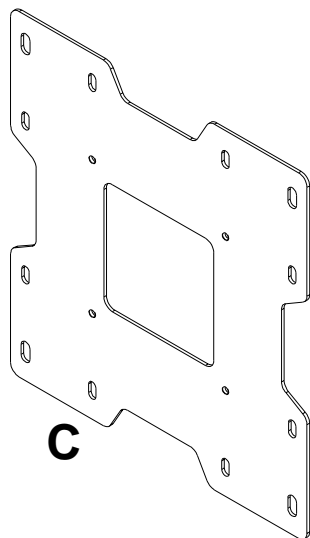
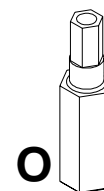
### **Table des matières**

|   |    |
|---|----|
| Liste des pièces .....  | 11 |
| Installation sur un mur à simple montant en bois .....  | 12 |
| Installation sur du béton plein ou un bloc de béton de mâchefer .....                                 | 13 |
| Fixation d'une plaque adaptatrice sur un écran à configuration de montage VESA 200 ou 200 x 200 ..... | 14 |
| Fixation d'un crochet de support sur un écran à configuration de montage VESA 75 ou 100 .....         | 15 |
| Montage et démontage d'un écran plat .....  | 16 |

*Pour le service à la clientèle, appelez le (800) 729-0307 ou le (708) 865-8870.*

# Liste des pièces

| Description                           | Qty | ST 632P,<br>RTFPT 632 | ST 632P-S,<br>RTFPT 632-S | ST 632      | ST 632-S    |
|---------------------------------------|-----|-----------------------|---------------------------|-------------|-------------|
|                                       |     | Part #                | Part #                    | Part #      | Part #      |
| <b>A</b> Crochet de support           | 1   | 095-1346              | 095-4346                  | 095-1346    | 095-4346    |
| <b>B</b> ensemble d'inclinaison       | 1   | 095-0359              | 095-0360                  | 095-0359    | 095-0360    |
| <b>C</b> plaque adaptatrice           | 1   | 095-1322              | 095-4322                  | 095-1322    | 095-4322    |
| <b>D</b> ancrage Alligator®           | 2   | 590-0097              | 590-0097                  | 590-0097    | 590-0097    |
| <b>E</b> vis cruciforme M4 x 10 mm    | 4   | 504-9012              | 504-9012                  | 504-9012    | 504-9012    |
| <b>F</b> vis cruciforme M4 x 20 mm    | 4   | 504-9020              | 504-9020                  | 504-9020    | 504-9020    |
| <b>G</b> vis cruciforme M6 x 12 mm    | 4   | 520-1128              | 520-1128                  | 520-1128    | 520-1128    |
| <b>H</b> vis cruciforme M6 x 20 mm    | 4   | 520-9402              | 520-9402                  | 520-9402    | 520-9402    |
| <b>I</b> vis cruciforme M6 x 30 mm    | 4   | 510-9109              | 510-9109                  | 510-9109    | 510-9109    |
| <b>J</b> vis cruciforme M6 x 6 mm     | 5   | 520-1023              | 520-1023                  | 520-1023    | 520-1023    |
| <b>K</b> rondelle n° 10               | 4   | 540-9400              | 540-9400                  | 540-9400    | 540-9400    |
| <b>L</b> entretoise de retenue        | 4   | 590-5005              | 590-5005                  | 590-5005    | 590-5005    |
| <b>M</b> vis à bois à tête hexagonale | 2   | 5S1-015-C03           | 5S1-015-C03               | 5S1-015-C03 | 5S1-015-C03 |
| <b>N</b> vis à tête creuse M5 x 6 mm  | 1   |                       |                           | 520-1114    | 520-1114    |
| <b>O</b> embout de sécurité de 4 mm   | 1   |                       |                           | 560-1133    | 560-1133    |



## Installation sur un mur à simple montant en bois

### ⚠ ADVERTISSEMENT

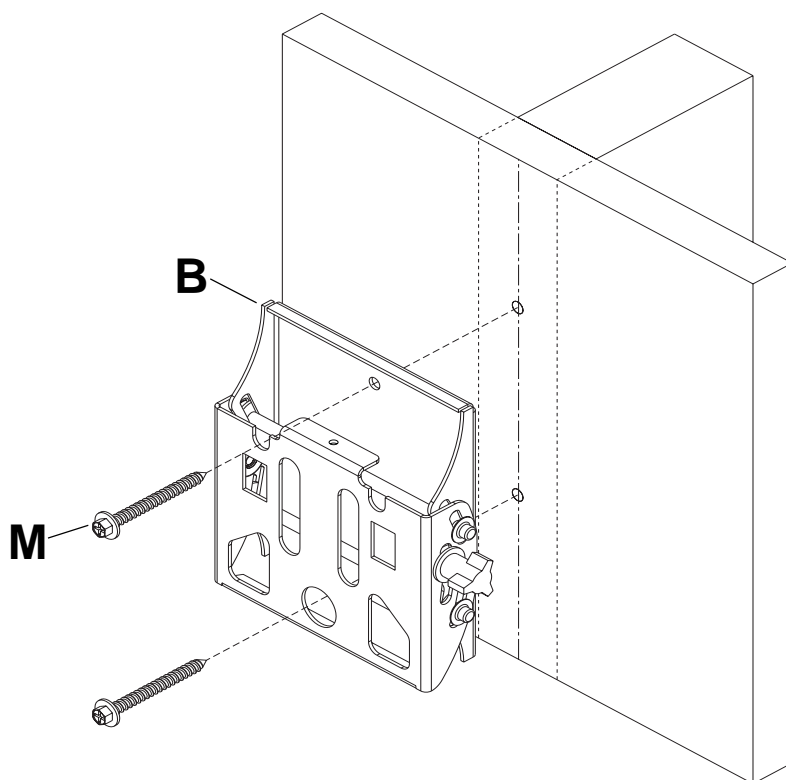
- Assurez-vous que le mur pourra soutenir sans difficulté la charge combinée de l'équipement, de toute sa visserie et de tous ses composants.

**1** Utilisez un localisateur de montants pour repérer les bords du montant. L'usage d'un localisateur bord à bord est fortement conseillé. En fonction de ses bords, tracez une ligne verticale le long du centre du montant. Utilisez l'ensemble d'inclinaison (**B**) comme gabarit et placez-le sur le mur, en vous assurant que les deux trous de montage se trouvent sur l'axe du montant. Mettez l'ensemble d'inclinaison de niveau et marquez le centre des trois trous. Percez deux trous de 4 mm (5/32 po) de diamètre et de 65 mm (2 1/2 po) de profondeur. Assurez-vous que l'ensemble d'inclinaison est de niveau, fixez-le à l'aide de deux vis à bois n° 14 x 2 1/2 po (**M**), comme illustré.

*Passez à l'étape 2, page 14.*

### ⚠ ADVERTISSEMENT

- Serrez les vis à bois de manière que l'ensemble d'inclinaison soit fermement fixé, mais sans excès. Un serrage excessif peut endommager les vis et en réduire considérablement le pouvoir de maintien.
- Ne serrez jamais à plus de 9 Nm (80 po-lb).
- Assurez-vous que les vis de montage sont ancrées au centre des montants. L'usage d'un localisateur de montants « bord à bord » est fortement conseillé.
- La visserie est fournie pour fixer le support dans des montants en bois, à travers une cloison sèche ou du plâtre d'épaisseur standard. Il appartient aux installateurs de fournir la visserie nécessaire pour d'autres types de situations.



# Installation sur du béton plein ou un bloc de béton de mâchefer

## ⚠ ADVERTISSEMENT

- Si vous installez des supports muraux Peerless sur un bloc de béton de mâchefer, vérifiez que vous disposez d'une épaisseur de béton d'au moins 34 mm (1 3/8 po) dans le trou destiné aux ancrages de béton. Ne percez pas dans des joints de mortier ! Veillez à effectuer le montage dans une partie pleine du bloc, généralement à au moins 2,5 cm (1 po) du côté du bloc. Le bloc de béton de mâchefer doit être conforme aux spécifications de l'ASTM C-90. Pour percer le trou, il est conseillé d'utiliser une perceuse électrique standard sur un réglage bas au lieu d'un marteau perforateur, afin d'éviter de briser la partie arrière du trou lorsque vous pénétrez un vide ou une cavité.
- Le béton doit avoir une densité minimum de 2000 psi. Un béton de densité moindre risquerait de ne pas retenir l'ancrage de béton.
- Assurez-vous que la surface de support pourra soutenir sans danger la charge combinée de l'équipement, de toute sa visserie et de tous ses composants.

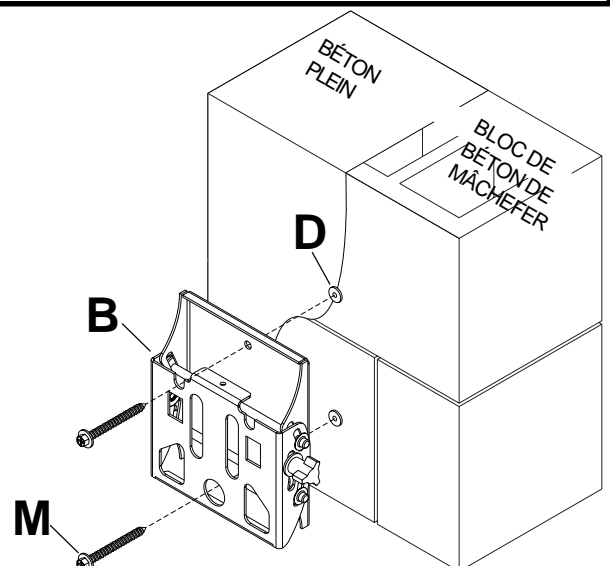
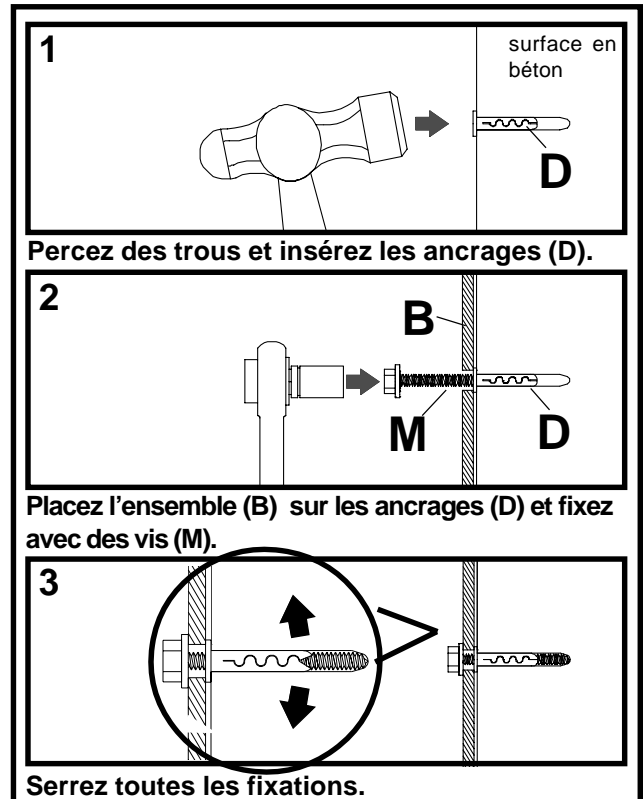
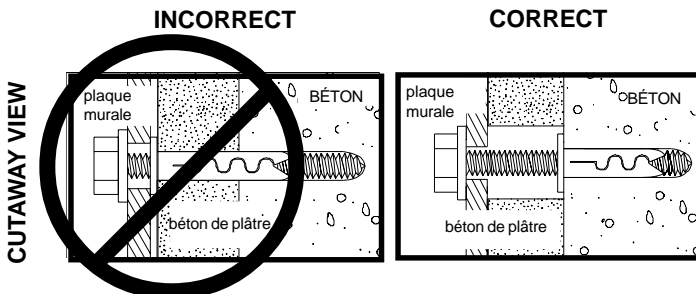
- 1** Assurez-vous que l'ensemble d'inclinaison (**B**) est de niveau, utilisez-le comme gabarit pour marquer les deux trous de montage. Percez deux trous de 6 mm (1/4 po) de diamètre à une profondeur minimum de 64 mm (2 1/2 po). Insérez les ancrages (**D**) dans les trous au ras du mur, comme illustré (à droite). Placez l'ensemble d'inclinaison sur les ancrages et fixez-le à l'aide de deux vis n° 14 x 2 1/2 po (**M**). Mettez-le de niveau, puis serrez toutes les fixations.

## ⚠ ADVERTISSEMENT

- Serrez les vis de manière que la plaque murale soit fermement fixée, mais sans excès. Un serrage excessif peut endommager les vis et en réduire considérablement le pouvoir de maintien.
- Ne serrez jamais à plus de 9 Nm (80 po-lb).

## ⚠ ADVERTISSEMENT

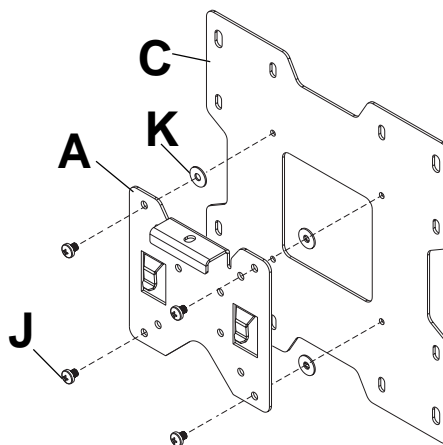
- Fixez toujours des coquilles d'expansion directement sur le béton porteur.
- Ne fixez jamais de coquilles d'expansion sur du béton recouvert de plâtre, cloison sèche ou autre matériau de finition. Si vous ne pouvez pas éviter d'effectuer le montage sur du béton recouvert d'une surface de finition, celle-ci doit être chambrée, comme indiqué ci-dessous. Assurez-vous que les ancrages de béton ne se séparent pas du béton lorsque vous serrez les vis. Si l'épaisseur du plâtre / de la cloison sèche dépasse 15 mm (5/8 po), des fixations adaptées devront être fournies par l'installateur.



# Fixation d'une plaque adaptatrice sur un écran à configuration de montage VESA 200 ou 200 x 200

**Remarque :** Pour les configurations VESA 75 mm et 100 mm, consultez la page suivante.

- 2** Fixez le crochet de support (A) sur la plaque adaptatrice (C) à l'aide de quatre vis M5 x 6 mm (J) et de rondelles n° 10 (K) comme illustré



## ⚠ ADVERTISSEMENT

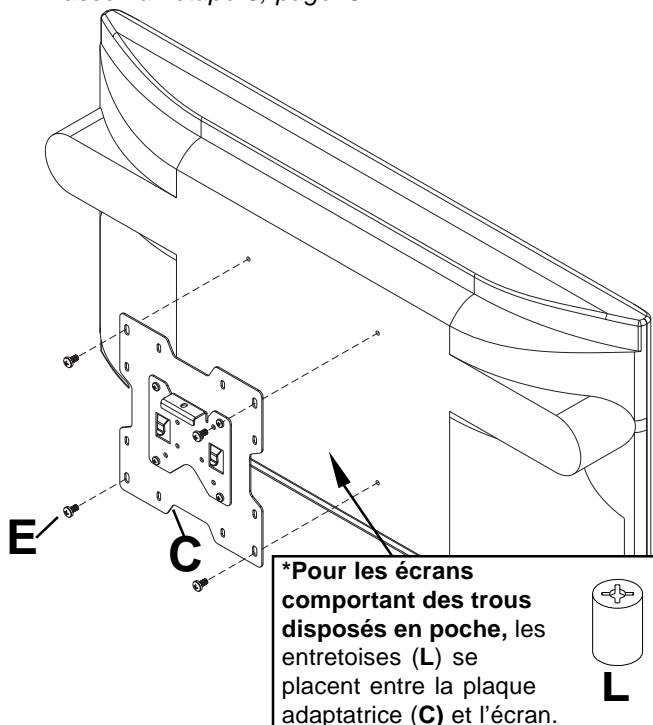
- Si les vis ne sont pas enfoncées de trois tours complets dans les inserts ou si elles sont serrées au maximum sans parvenir à fixer solidement la plaque adaptatrice, l'écran peut être abîmé ou le produit détérioré.

### CONFIGURATION DE MONTAGE VESA 200 :

- 2-1** Choisissez la configuration de trous illustrée ci-dessous. Fixez la plaque adaptatrice (C) à l'arrière de l'écran à l'aide de quatre vis M4 x 10 mm (E), comme illustré ci-dessous.

**\*Remarque :** Si moins de trois filets de la vis (E) s'engagent, fixez la plaque adaptatrice (C) à l'arrière de l'écran à l'aide de quatre vis M4 x 20 mm (F) et de quatre entretoises (L), comme indiqué ci-dessous.

Passez à l'étape 3, page 16.

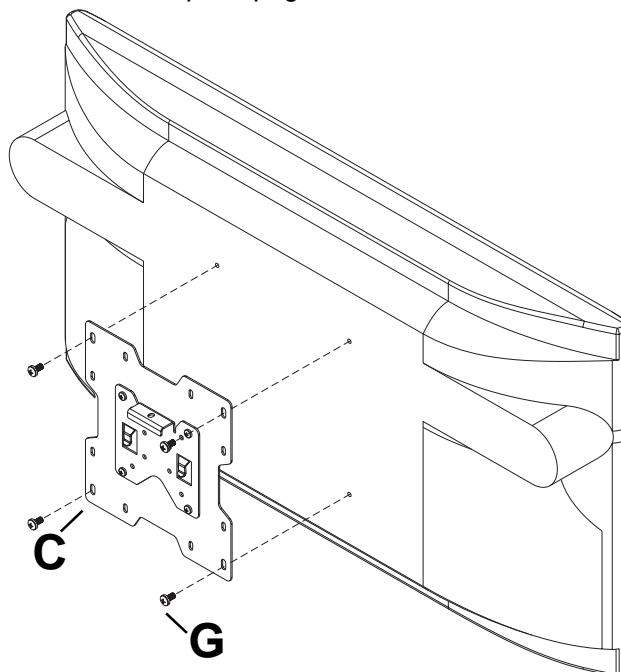


### CONFIGURATION DE MONTAGE VESA® 200 x 200 :

Choisissez la configuration de trous illustrée ci-dessous. Fixez la plaque adaptatrice (C) à l'arrière de l'écran à l'aide de quatre vis M6 x 12 mm (G), comme illustré ci-dessous.

**\*Remarque :** Si moins de trois filets de la vis (G) s'engagent, fixez la plaque adaptatrice (C) à l'arrière de l'écran à l'aide de quatre vis M6 x 20 mm (H). Si la vis (H) est toujours engagée sur moins de trois filets, utilisez quatre vis M6 x 30 mm (I).

Passez à l'étape 3, page 16.



# Fixation d'un crochet de support sur un écran à configuration de montage VESA 75 ou 100

## ⚠ ADVERTISSEMENT

- Si les vis ne sont pas enfoncées de trois tours complets dans les inserts ou si elles sont serrées au maximum sans parvenir à maintenir solidement le support, l'écran peut être abîmé ou le produit détérioré.

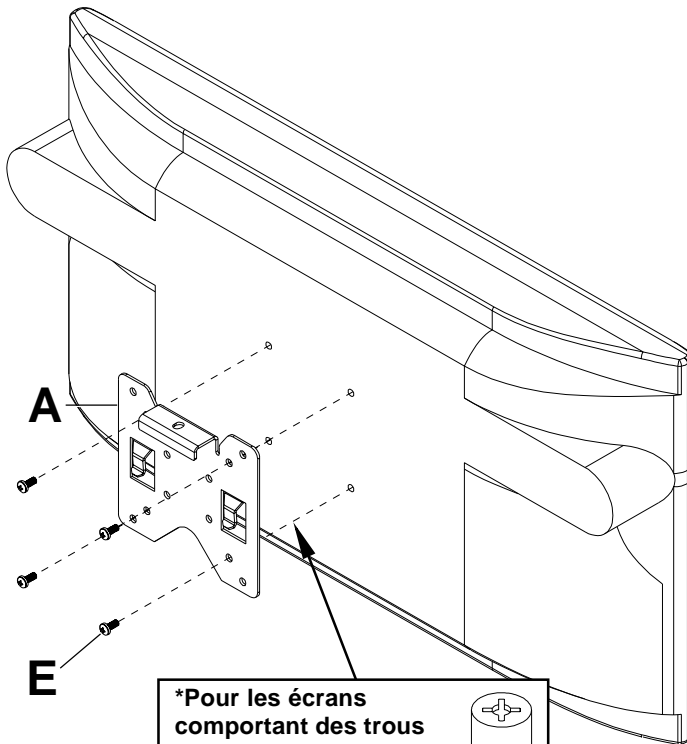
### CONFIGURATION DE MONTAGE VESA® 75 :

**2** Choisissez la configuration de trous illustrée ci-dessous. Fixez le crochet de support (A) à l'arrière de l'écran à l'aide de quatre vis M4 x 10 mm (E), comme illustré ci-dessous.

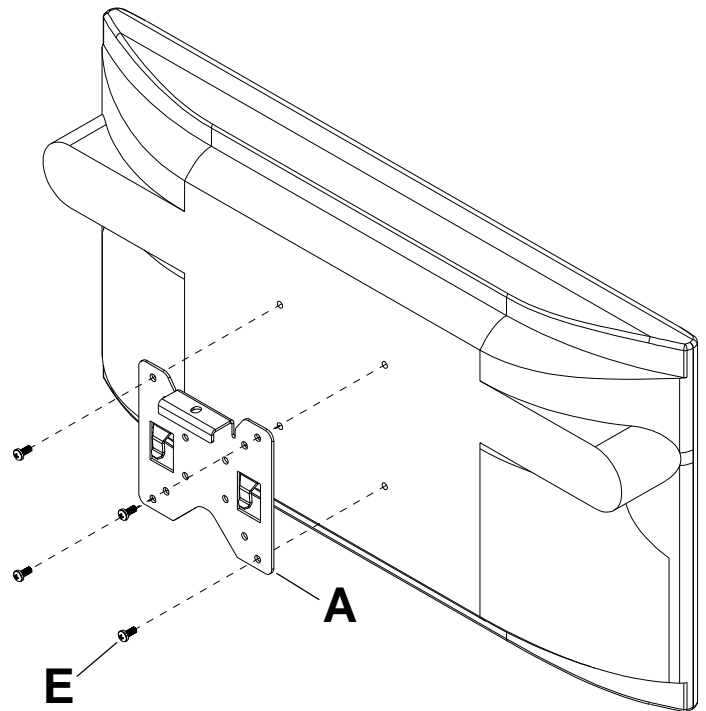
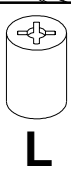
**\*Remarque :** Si les trous sont disposés en poche, fixez le crochet de support (A) à l'arrière de l'écran à l'aide de quatre vis M4 x 20 mm (F) et de quatre entretoises de retenue (L), comme indiqué ci-dessous.

### CONFIGURATION DE MONTAGE VESA 100 :

Choisissez la configuration de trous illustrée ci-dessous. Fixez le crochet de support (A) à l'arrière de l'écran à l'aide de quatre vis M4 x 10 mm (E), comme illustré ci-dessous.



**\*Pour les écrans comportant des trous disposés en poche, les entretoises (L) se placent entre le crochet de support (A) et l'écran.**



## Montage et démontage d'un écran plat

- 3** Fixez l'écran sur l'ensemble d'inclinaison (B). Serrez la vis M5 x 6 mm (J ou N) pour fixer l'écran sur l'ensemble d'inclinaison.

Pour consolider le tout, serrez la vis à tête creuse M5 x 6 mm (N) à l'aide de l'embout de sécurité (O), ce qui fixera l'écran sur l'ensemble d'inclinaison.

Pour enlever l'écran du support, desserrez la vis (J ou N) et soulevez l'écran hors du

### ⚠ ADVERTISSEMENT

- Ne soulevez pas plus de poids que vous ne pouvez en manipuler. Faites-vous aider ou utilisez un équipement mécanique pour placer l'écran en toute sécurité.
- Si les crochets de support (A) ne sont pas fixés avec la vis (J), l'écran pourrait tomber du support, s'il est heurté accidentellement.

### ⚠ ATTENTION

- N'employez pas une force excessive pour serrer les vis. Un serrage excessif peut endommager le support. Serrez les vis à un couple maximum de 2,26 Nm (20 po-lb).

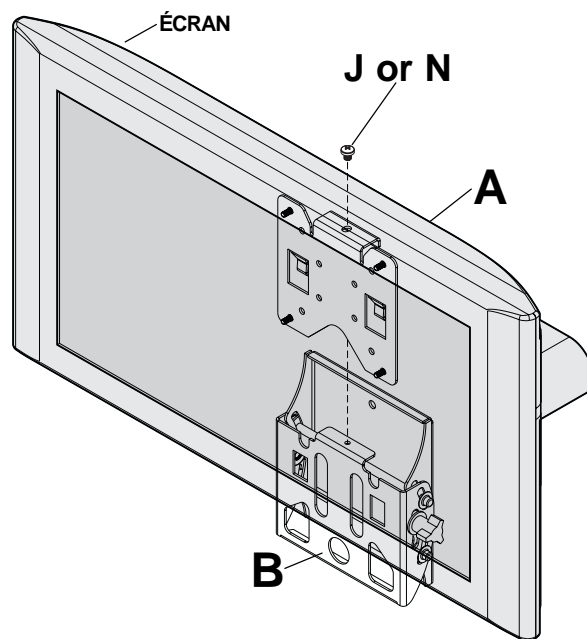


fig. 3

## Réglage de l'inclinaison d'un écran plat

- 4** Réglez le bouton situé sur le côté droit du support illustré sur la figure 4.1 à la tension désirée pour équilibrer la taille et le poids de l'écran.

**Remarque :** Si le bouton est inaccessible, enlevez l'écran du support, réglez le bouton sur la tension désirée pour équilibrer la taille et le poids de l'écran et remettez l'écran sur le support comme indiqué à l'étape 3.

Poussez ou tirez depuis le haut ou le bas de l'écran pour régler l'inclinaison, comme illustré à la figure 4.1. L'inclinaison peut être réglée à un maximum de 15° à l'avant ou 5° à l'arrière.

**Remarque :** Pour verrouiller l'écran dans la position d'inclinaison désirée, serrez la vis de tension située sur le côté gauche du support illustré à la figure 4.2 à l'aide d'un tournevis cruciforme.

### ⚠ ATTENTION

- N'employez pas une force excessive pour serrer les vis. Un serrage excessif peut endommager le support. Serrez les vis à un couple maximum de 4,5 Nm (40 po-lb).

### ⚠ ATTENTION

- Prenez garde à ne pas vous pincer les doigts lorsque vous poussez l'écran depuis le bas.

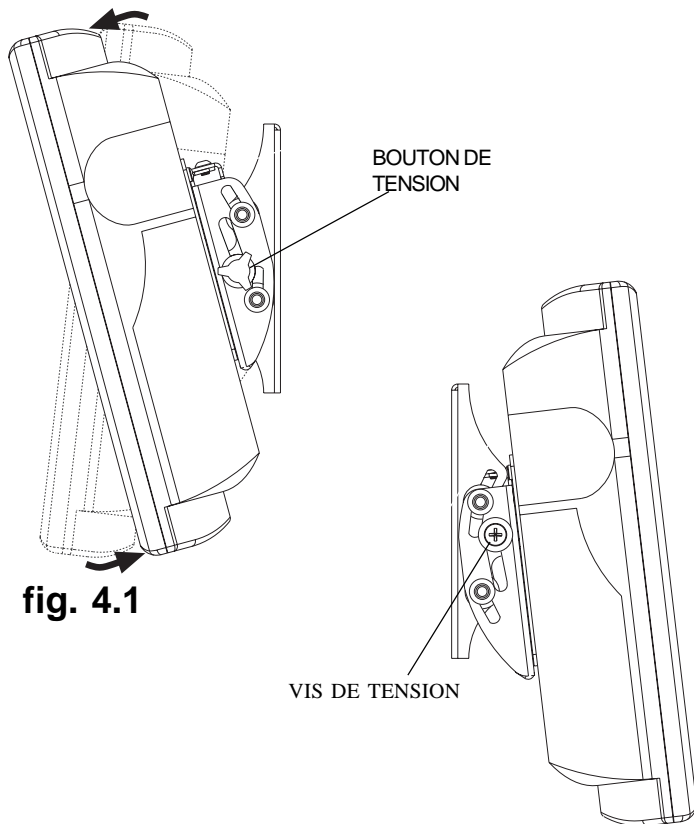


fig. 4.1

fig. 4.2