



MODELS

UNIVERSAL MODELS:

Standard Fasteners*

SUF640P

Gloss Black

SCREEN ADAPTER

UNIVERSAL MODELS:

Includes universal screen adapter to accommodate mounting holes spaced up to 17.73" horizontally and 12.94" vertically

Many plasmas have mounting hole patterns larger than dimensions above. Use MountFinder™ to verify mount compatibility.

SPECIFICATIONS

DIMENSIONS: (W x H x D)
20.69" x 16.12" x 0.4"
(52.6 x 40.9 x 1 cm)

MAX LOAD: 150 lb (68 kg)

SHIP WEIGHT: 4.7 lb (2.13 kg)

MOUNTING SURFACES: Wood stud, concrete, cinder block and metal stud
(Metal stud accessory required)



ACCESSORIES

pg#

IBA1: In-wall Accessories Box66

ACC215: 2-pack Metal Stud Fastener Kit151

SlimLine®

Universal Ultra-thin Flat Wall Mount

For 23" to 46" LCD Screens



■ Ultra-thin design holds screens only 0.4" from the wall

■ Industrial strength Velcro® latching system hold screen in place against the wall plate preventing accidental bump-off or horizontal adjustment

■ Easy three-step installation, mount the wall plate, attach screen adapters to screen, hang screen

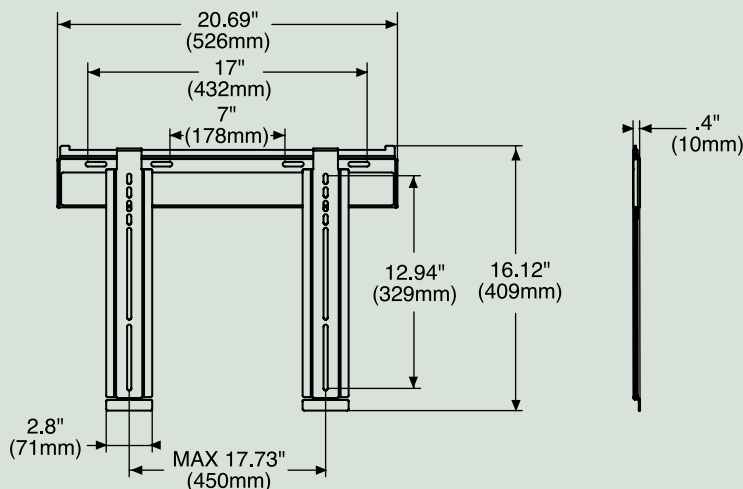
■ Horizontal screen adjustment up to 6"

■ Fits screens with mounting hole patterns up to 17.73" x 12.94"

Screen Mounting Requirements

1. The depth of this mount (0.4") may not provide sufficient space for proper ventilation on some screens. Please refer to the manufacturer's requirements for mounting your screen before installation.
2. The screen must have a flat mounting surface, or the mounting holes need to be on the furthest back surface of the screen
3. Input/output connection must be properly orientated to accommodate mounting 0.4" from the wall.

* Includes standard hardware (hex or Phillips) for attaching screen to mount



To verify mount compatibility with any LCD, plasma, or projector model use MountFinder™ at www.peerlessmounts.com 800.865.2112