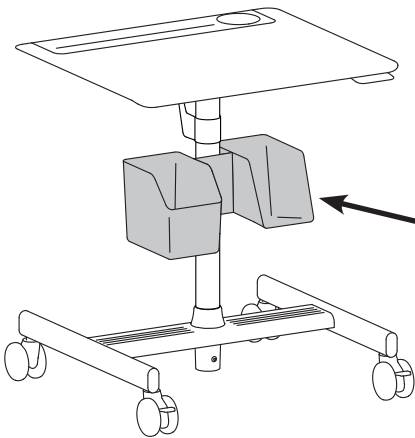
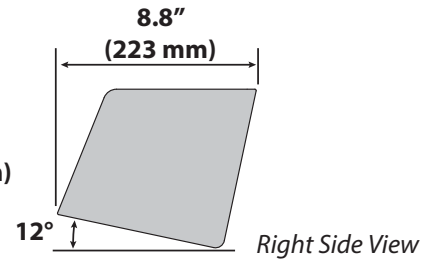
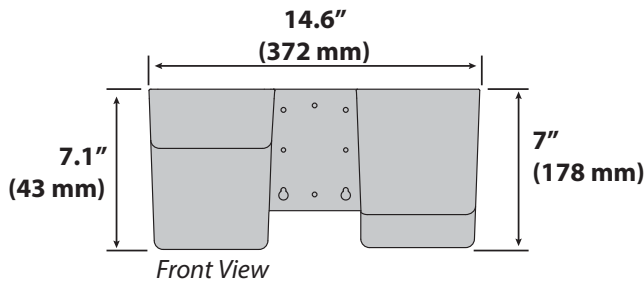
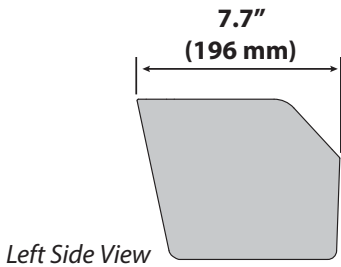


LearnFit™ Storage Bin

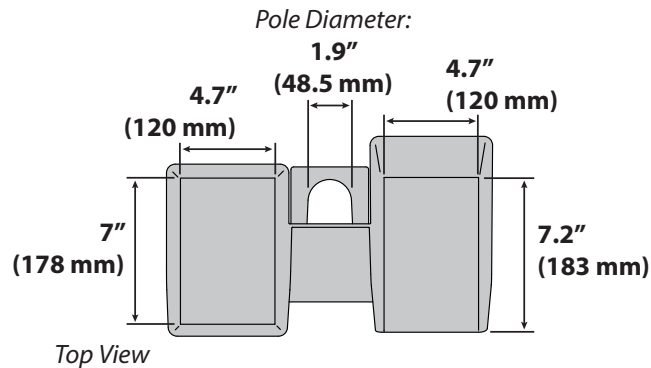
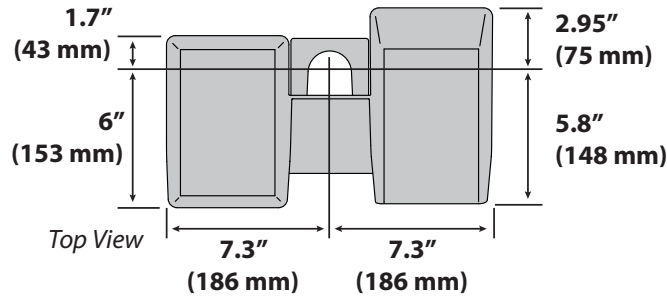


WEIGHT CAPACITY
 $\leq 8 \text{ lbs. (3.6 kg)}$

DIMENSIONS



Dimensions from center of pole:



© 2017 Ergotron, Inc. rev. 11/16/2017 DIM-LearnFit3Bin **Content is subject to change without notification**

Americas Sales and Corporate Headquarters

St. Paul, MN USA
 (800) 888-8458
 +1-651-681-7600
 www.ergotron.com
 sales@ergotron.com

EMEA Sales

Amersfoort, The Netherlands
 +31 33 45 45 600
 www.ergotron.com
 info.eu@ergotron.com

APAC Sales

Tokyo, Japan
 www.ergotron.com
 apaccustomerservice@ergotron.com

Worldwide OEM Sales

www.ergotron.com
 info.oem@ergotron.com