

# INSTALLATION / INSTRUCTIONS

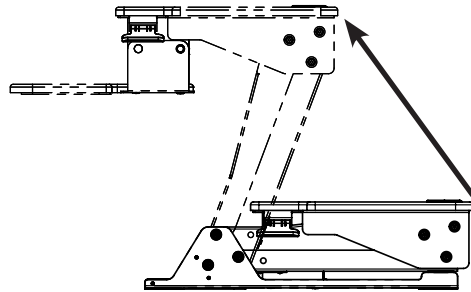
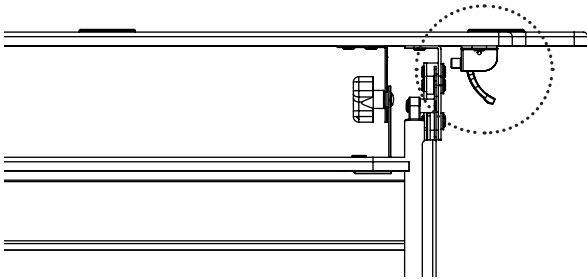
## DESKTOP SIT-STAND WORKSTATION - 42"

### IMPORTANT INFORMATION

Lift the workstation out of the box, do not squeeze the lever until after the product is in place.

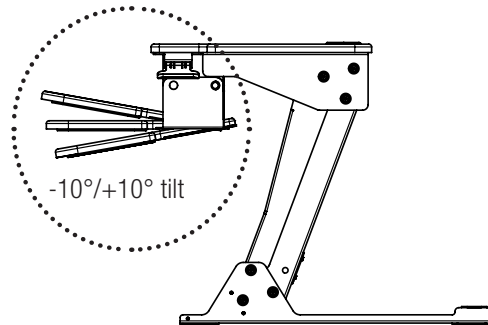
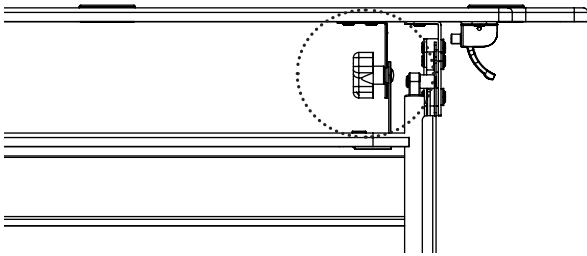
### HEIGHT ADJUSTMENT

Squeeze lever to move workstation up and down to desired height. Release lever to lock the workstation into position.



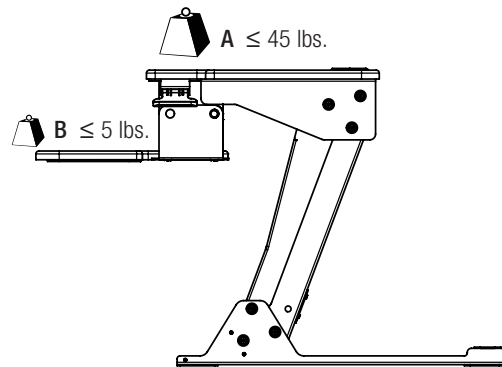
### KEYBOARD TRAY TILT ADJUSTMENT

While holding the tray, loosen knob slightly. Set and hold tray at desired tilt angle and re-tighten knob.



### WEIGHT CAPACITY - $A + B \leq 45$ lbs.

Maximum weight capacity is 45 lbs.  
Serious injury or property damage may occur if maximum is exceeded.



Make sure all cord lengths are sufficient to use with this product.