

 www.ergotron.com
 USA 1-800-888-8458
Europe +31 (0)33-45 45 600
China 400-120-3051

Table of Contents





Hazard Symbols Review	2
Components & Tools	2
Features	2
Optional Security Mount	3
Tablet Charging	4
LED and Syncing	8
Cable Replacement Instructions	7
Cleaning and Maintenance	11
Specifications	12
Service and Warranty Information	12

Apple, iPad, iPad Air, iPad mini, iPad Pro, iTunes, Lightning, Retina and Macintosh are trademarks of Apple Inc., registered in the U.S. and other countries.

"Made for iPad," means that an electronic accessory has been designed to connect specifically to iPad, and has been certified by the developer to meet Apple performance standards. Apple is not responsible for the operation of this device or its compliance with safety and regulatory standards. Please note that the use of this accessory with iPad may affect wireless.

Safety Hazard Review

These symbols alert users of a safety condition that demands attention. All Tablet Management Desktop 16 users should be able to recognize and understand the significance of the following Safety Hazards if encountered on the Desktop 16 or within Desktop 16 documentation. Children who are not able to recognize and respond appropriately to Safety Alerts should not use the Desktop 16 without adult supervision!

Symbol	Signal Word	Level of Hazard
	NOTE	A NOTE indicates important information that helps you make better use of your Desktop 16.
	CAUTION	A CAUTION indicates either potential damage to hardware or loss of data and tells you how to avoid the problem.
	WARNING	A WARNING indicates either potential for property damage, personal injury, or death.
	ELECTRICAL	An Electrical indicates an impending electrical hazard which, if not avoided, may result in personal injury, fire and/or death.

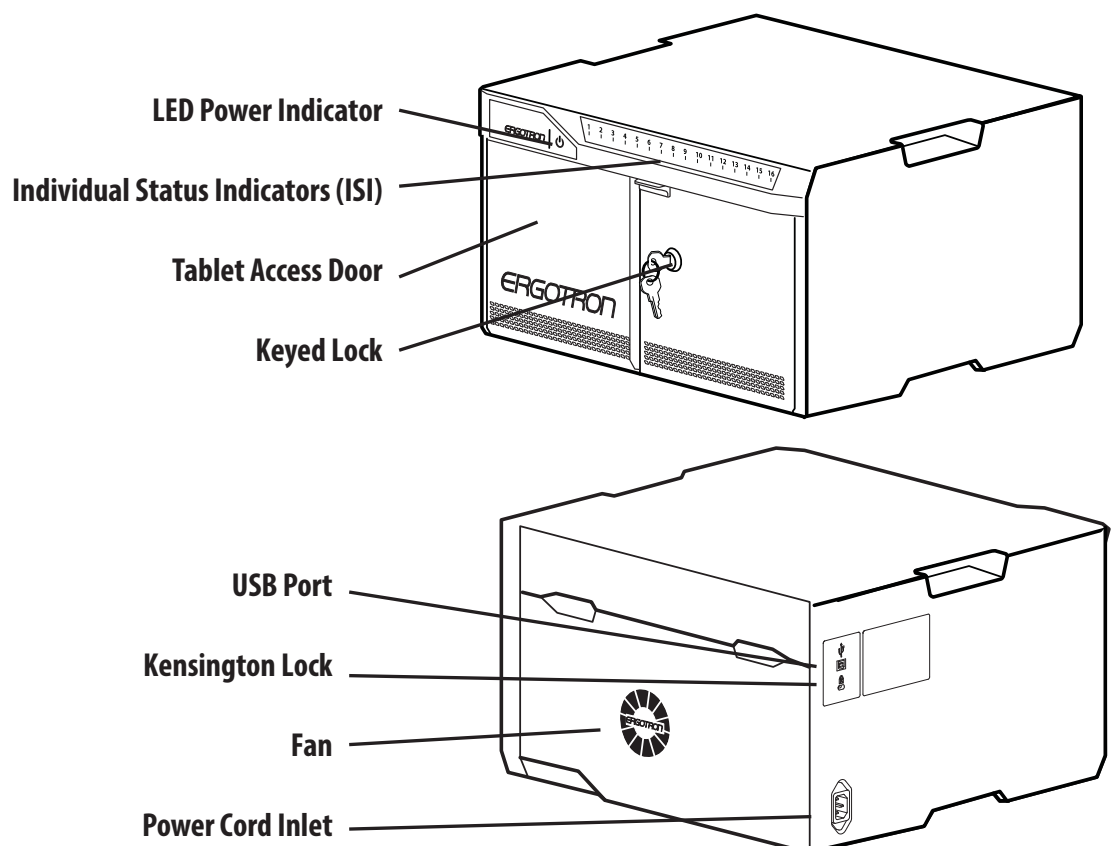
Components

One Tablet Management Desktop Unit includes 16 USB to Lightning™ cables
 2 Keys, Power Cord, USB Cable
 Security Mounting Kit: M6 security screw (Quantity 2), washer (Quantity 2), and security wrench

Tools

Electric Drill and 1/4" or 17/64" (6.5 mm) Drill Bit
 Measuring Tool, Pencil

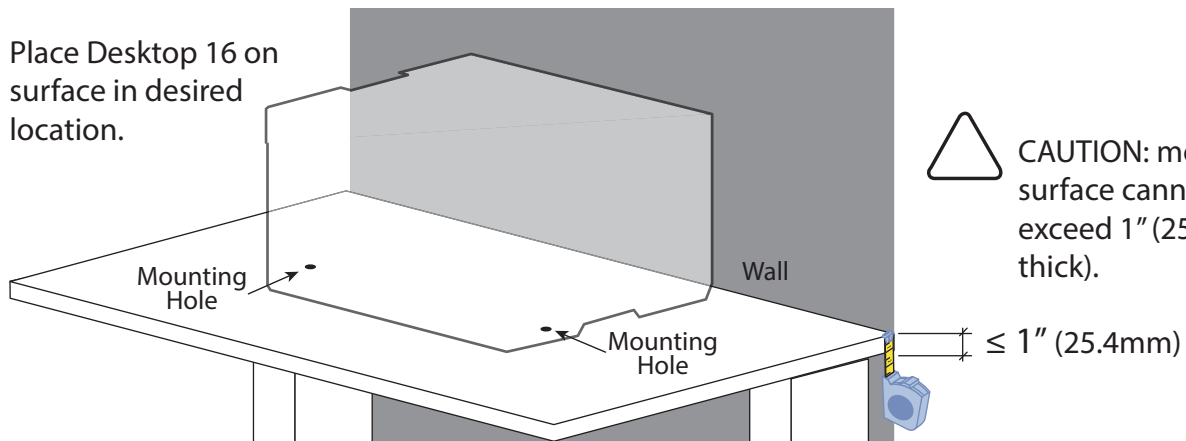
Features



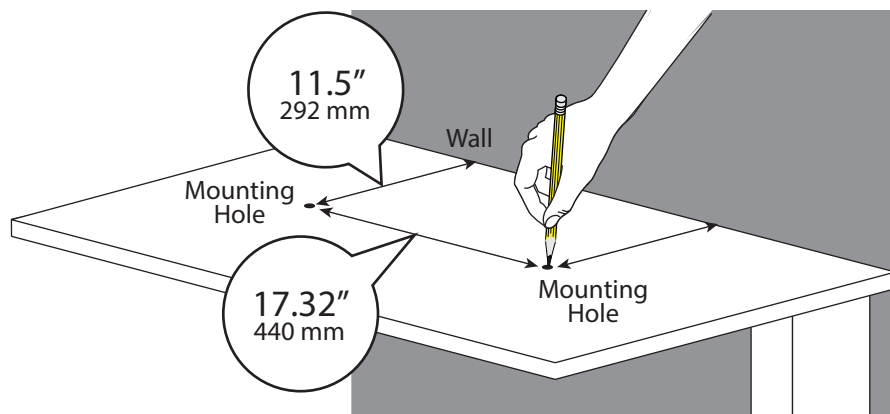
Security Mounting Kit Option

For mounting the Desktop 16 to a work surface (desktop, countertop, table, etc.)

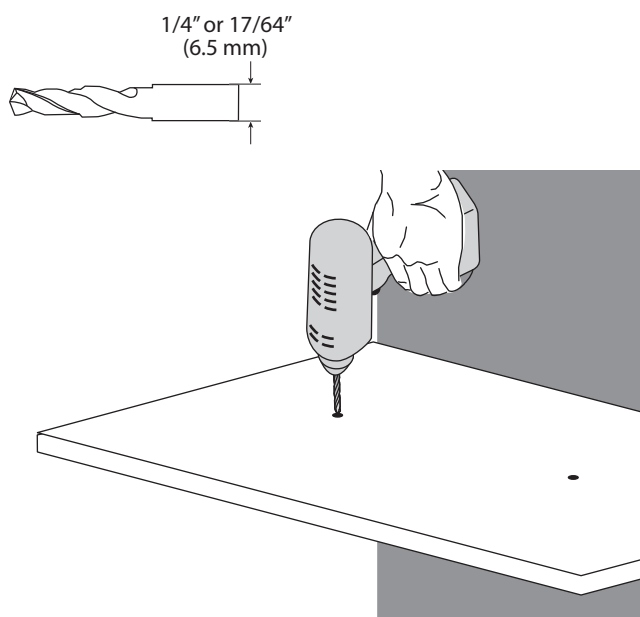
- 1 Place Desktop 16 on surface in desired location.



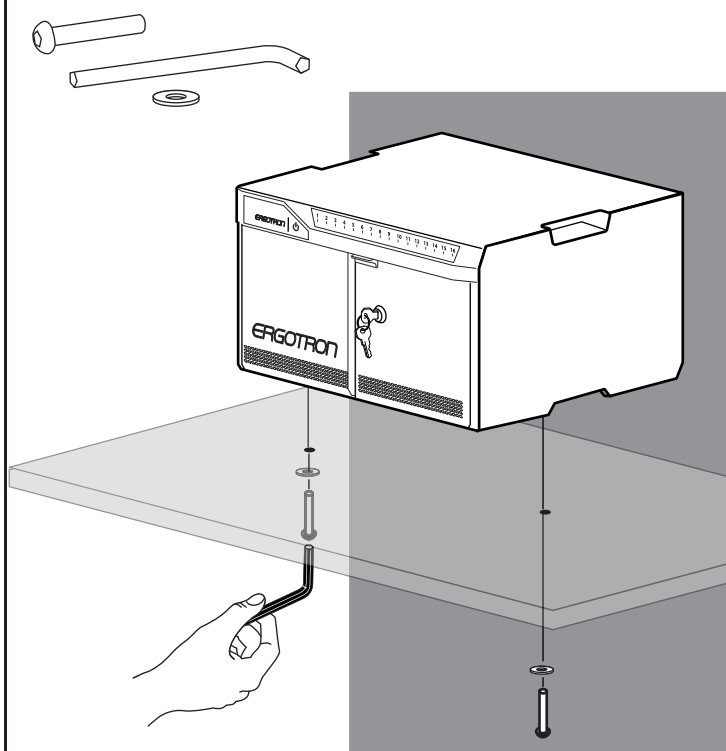
- 2 Remove the Desktop 16. Use a pencil to mark the mounting hole locations: 11.5" (292 mm) from the wall and 17.3" (440 mm) apart.



- 3 Drill two mounting holes using a 0.266 OD drill bit.



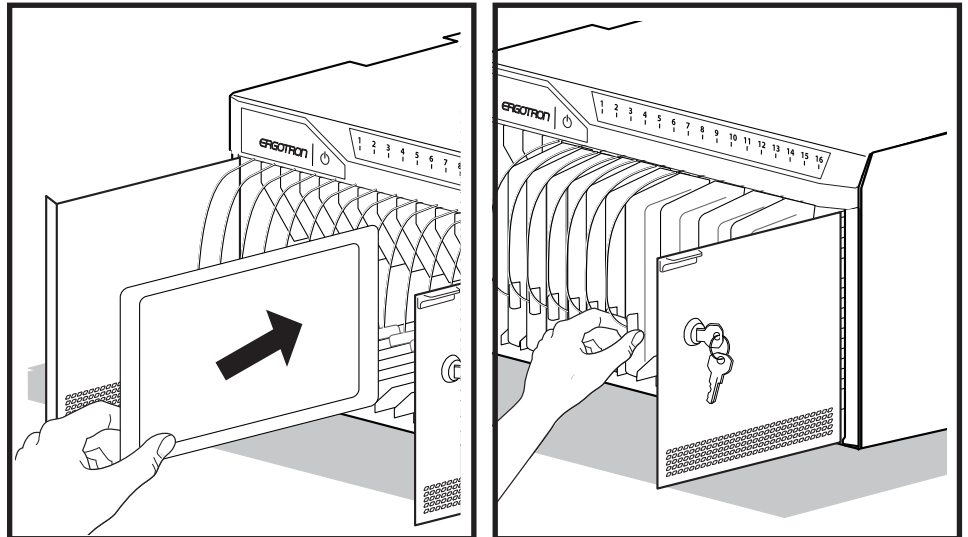
- 4 Use the security wrench to insert provided M6 screws and washers.



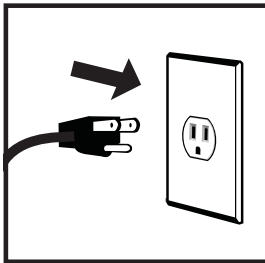
Tablet Charging

5

Insert iPad devices into Desktop 16. Connect the tablet USB charging cables to the iPad devices.



6



To begin charging the tablets, plug in the Desktop 16 power cord from the Desktop 16 into the wall outlet.





The power cord is used to turn the Desktop 16 power on and off. Charging occurs whenever the power cord is connected UNLESS a Macintosh® or PC notebook USB cable is connected to the Desktop 16 for syncing.





NOTE: the Desktop 16 power cord acts as the connect/disconnect device switching power on and off.


LED - Indicators

Power Indicator – communicates sync and charge status with the following signals:

-  **Off** = **No power to the Desktop 16.**
-  **On - solid** = **iPad devices are charging.**
-  **On - slow blink** = **Computer is plugged into auxillary USB outlet and iPad devices are ready to sync or are syncing.**
-  **On - fast blink** = **Fault Status. Please make sure all cables are seated correctly within cable drawer and Desktop 16 is operating within specified operating temperature. Contact Ergotron Customer Support if problem continues.**

Individual Status Indicators (ISI) – sequentially numbered LEDs corresponding to each tablet in the Desktop 16:

-  **Green** = **Fully charged.**
-  **Amber** = **Charging in progress.**

 **NOTE:** if Desktop 16 is syncing all ISIs will be green.

Tablet Syncing



NOTE: Complete the Tablet Charging instructions before syncing. iPad devices should be charged at least 50% before starting the syncing process.

Syncing can be done using iTunes® or the Apple Configurator program available for the Macintosh® computer. Please reference www.Apple.com for more information.

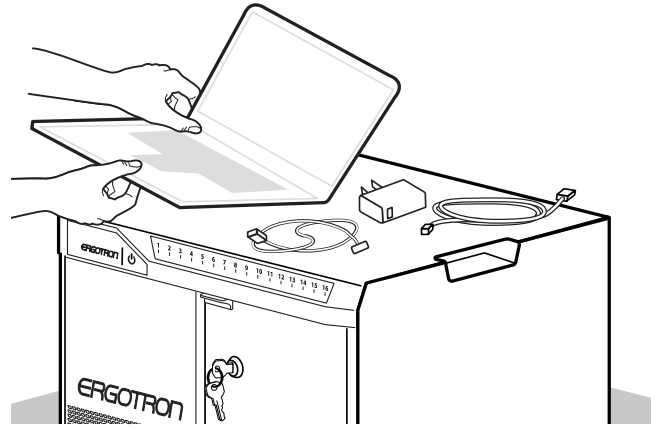
The iPad devices will mount as USB devices when the A to B USB cable is connected to a host notebook via the USB port on the exterior of the Desktop 16.

NOTE: The devices will not charge while syncing is in process. To return to charge mode, unplug the USB cable from the USB port when syncing is complete.

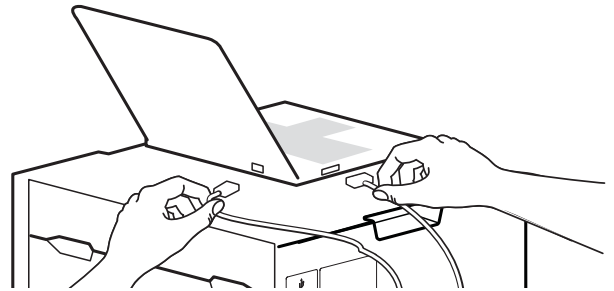
If using iTunes, please see separate iTunes setup instructions available on the Ergotron website **Tablet Management Desktop 16** product page.

Syncing

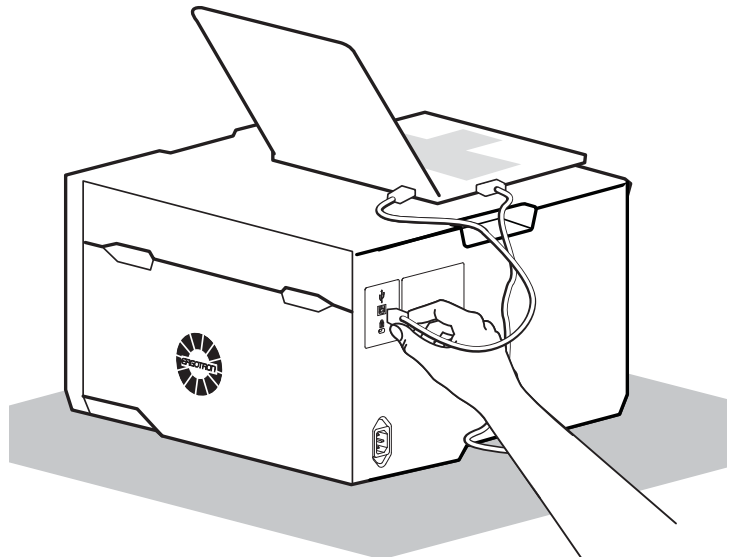
- 1 Place your notebook, power adaptor and a USB cable on the Desktop 16 work top.



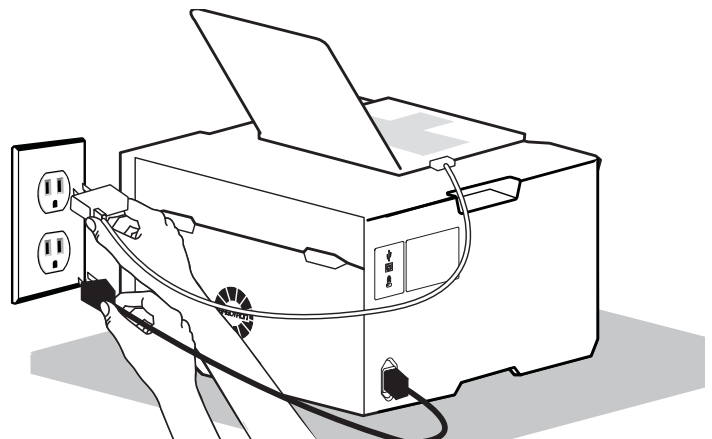
- 2 Plug the USB and power adaptor cables into the notebook.



- 3 Connect the notebook USB cable to the port on the side of the Desktop 16.

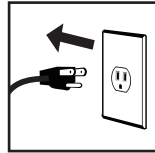


- 4 Connect the notebook power cord to a wall outlet. Switch on the notebook power to begin syncing.



Cable Replacement Instructions

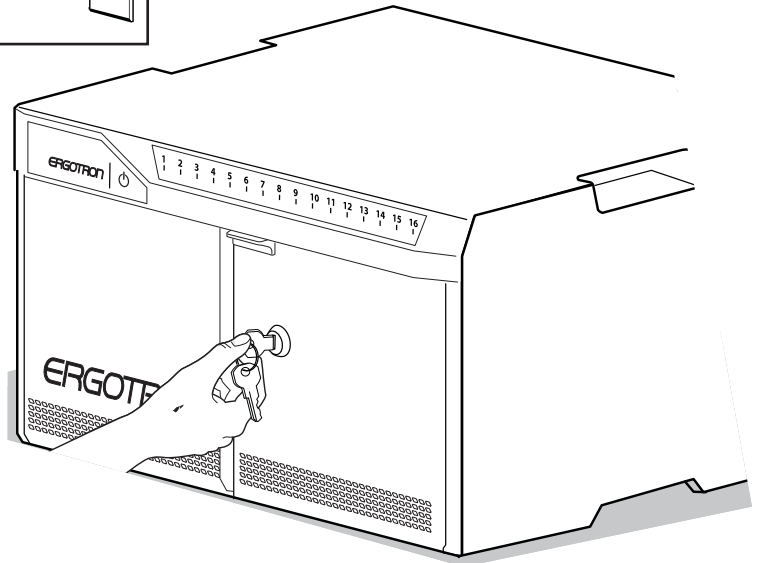
- 1** Make sure the Desktop 16 power cord is disconnected from wall power supply before proceeding.



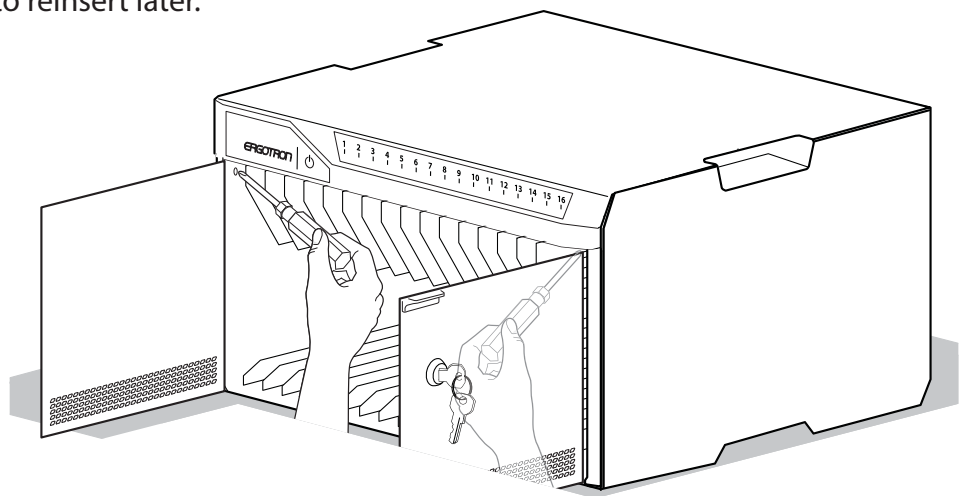
Unlock the module and open the doors.



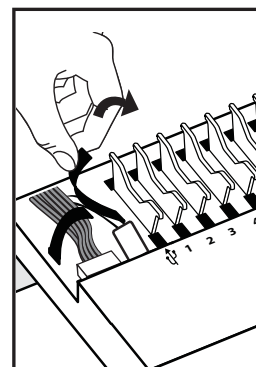
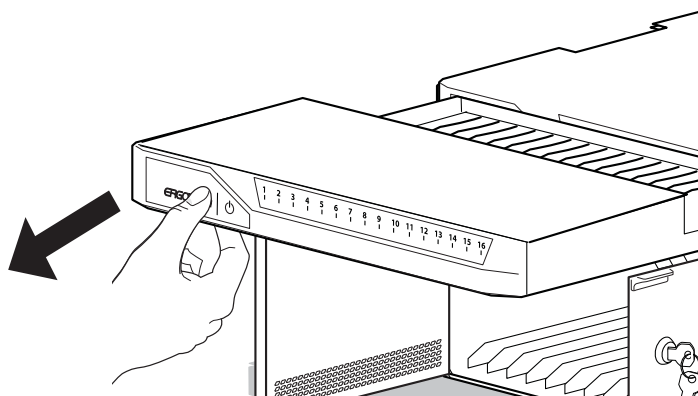
NOTE: the Desktop 16 power cord acts as the connect/disconnect device switching power on and off.



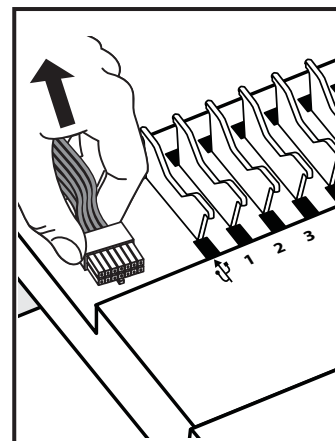
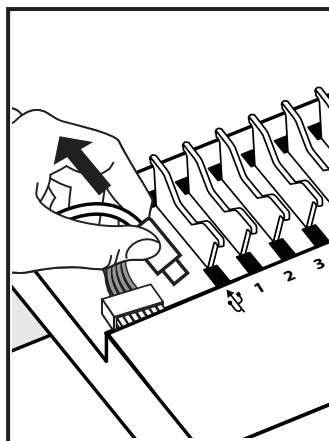
- 2** Disconnect the Lightning cables from iPad devices.
Use a Phillips screwdriver to remove the two screws located on the interior sides of the Desktop 16; save screws to reinsert later.



- 3** Partially slide out the module drawer. You'll need to unplug two cables before sliding the drawer completely out. Open the strap to access the two cables.



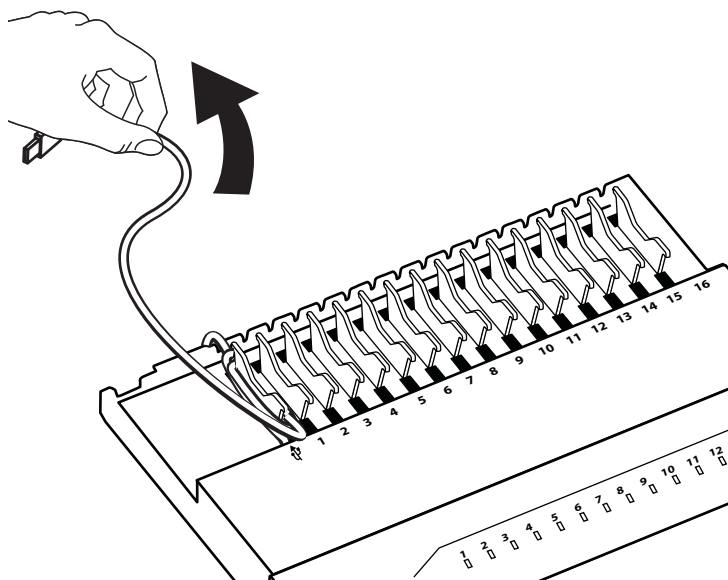
- 4** Unplug the USB and DC power cables (push up on the lever under the DC connector to release). The drawer can now be removed.



- 5** Unwind and remove any USB cables that need to be replaced.

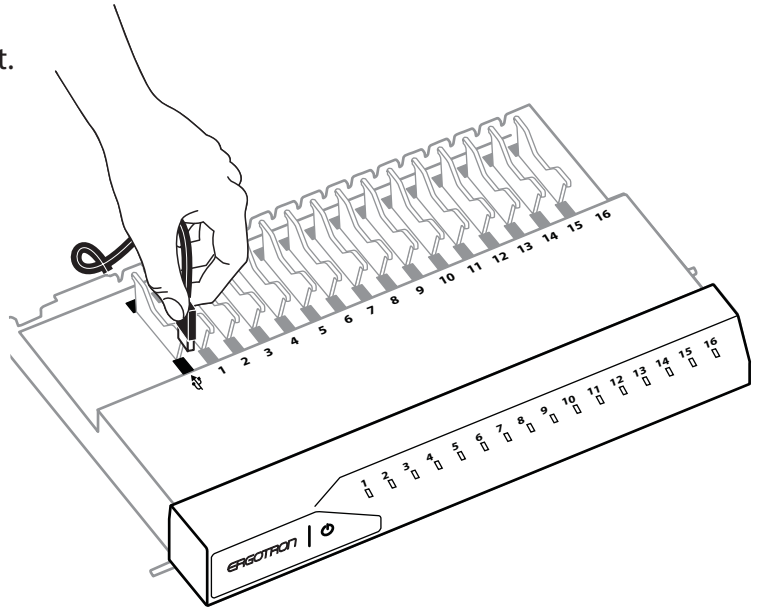


NOTE: Please recycle or dispose the removed cables in a responsible manner.



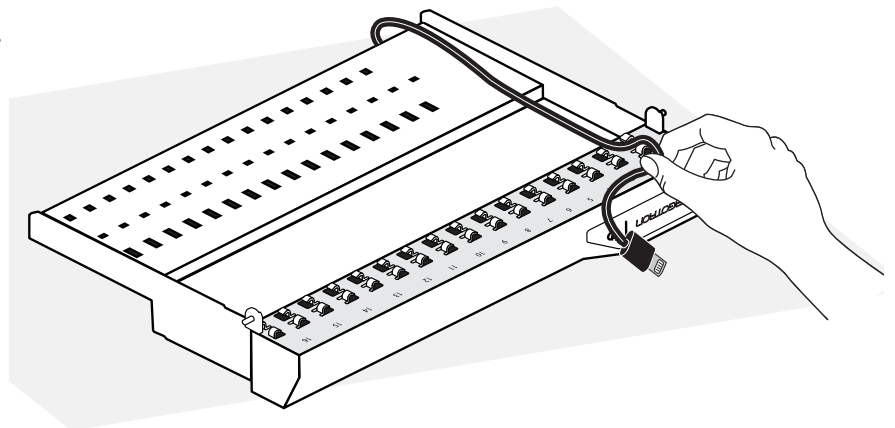
6

Connect the USB cable to the USB port.



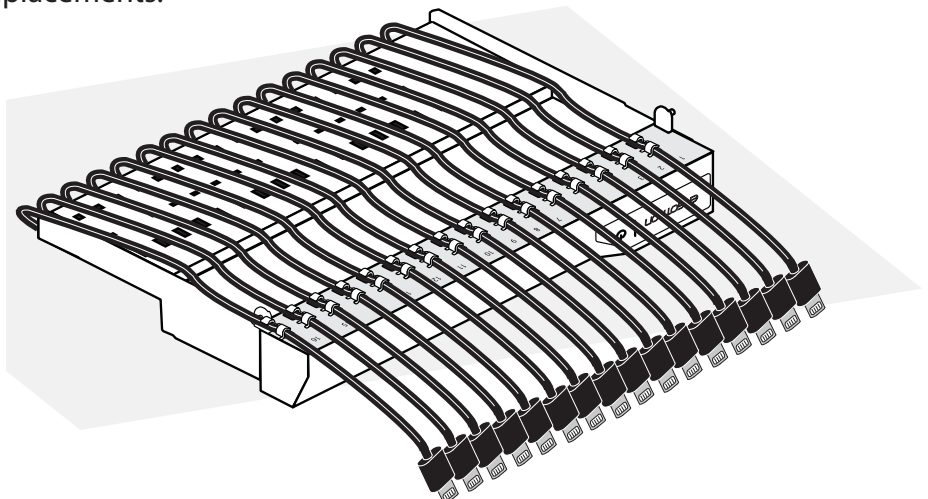
7

Place the drawer upside down and route the USB cable through the slot on the back of the drawer and under the hooks toward the front. Make sure there is no slack in the cable. All excess cable should hang from the hooks.

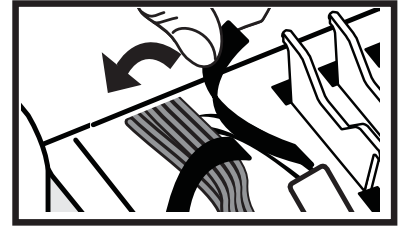
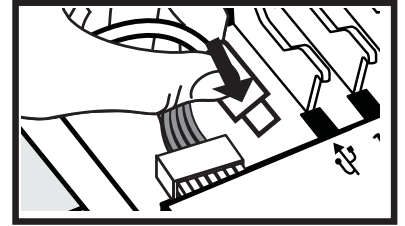
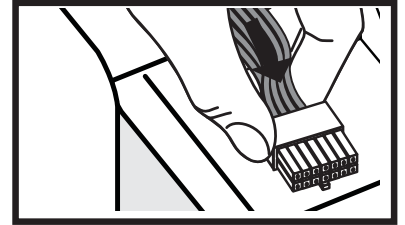
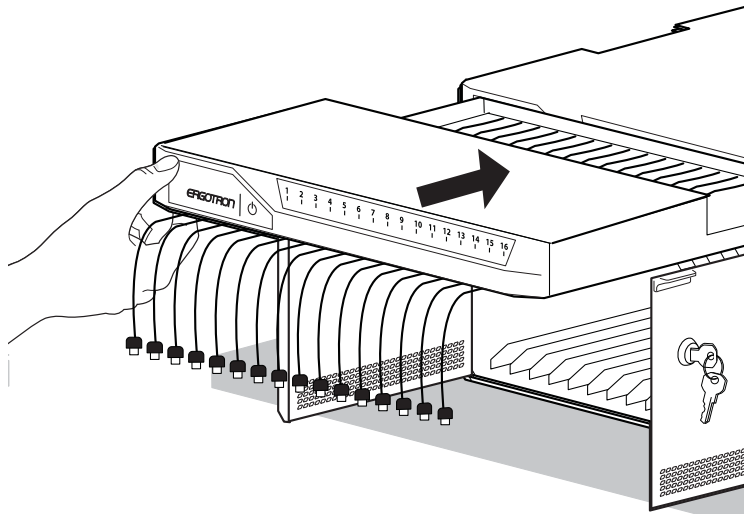


8

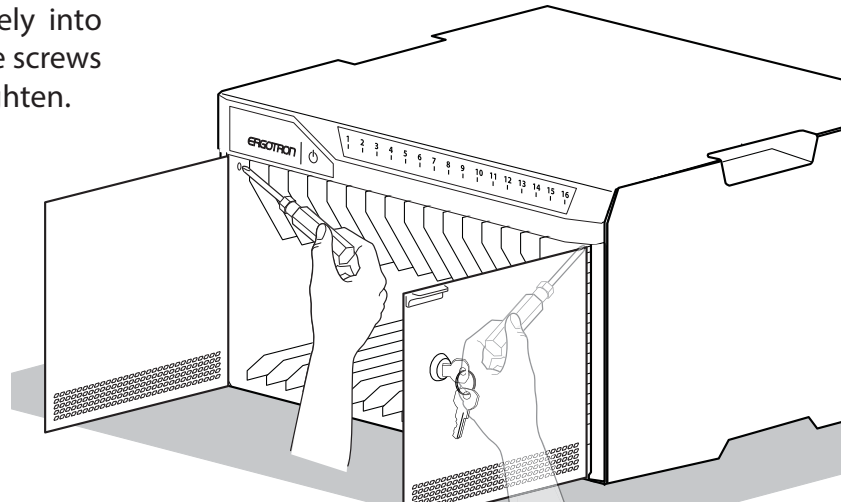
Repeat USB cabling steps 6 through 8 for all remaining cable replacements.



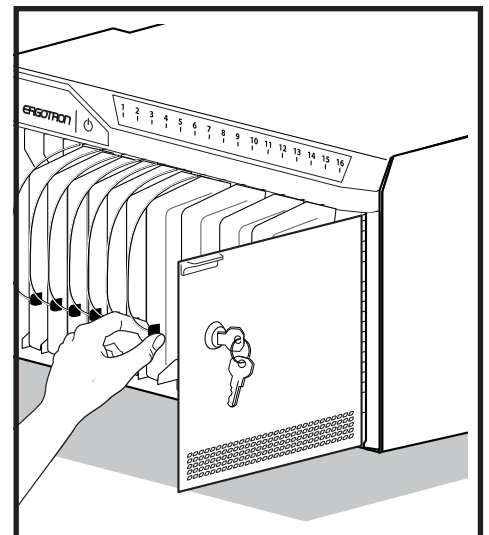
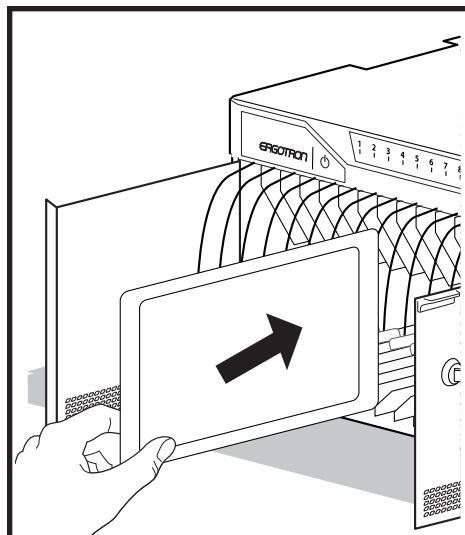
- 9** Slide the drawer partially into the Desktop 16. Reconnect the USB and DC cables and wrap the strap around the cables.



- 10** Slide the drawer completely into the Desktop 16. Insert the screws removed in step 2 and tighten.




- 11** Insert iPad devices into Desktop 16. Connect the tablet USB charging cables to the iPad devices.




Cleaning and Maintenance

Desktop 16 and Equipment Electric Safety

There are specific risks associated with the use of equipment having power cables. You must be aware of, and avoid these risks when the Desktop 16 is located in close proximity to children.

 **WARNING:** Failure to observe the following Electrical Safety notices can result in fire or death by electric shock.

 Electrical cables can be hazardous. Misuse can result in fire or death by electrical shock.

- Double Pole / Neutral Fusing
- Inspect power cables thoroughly before each use.
- Do not use cables that are damaged.
- Insert the plug completely into the outlet.
- Grasp the plug to remove from the outlet.
- Do not unplug by pulling on the cable.
- Do not use excessive force to make connections.
- Do not plug the cable into an extension cable.
- Do not remove, bend or modify any metal prongs or pins of cable.
- Do not drive, drag or place objects over the cable.
- Do not walk on the cable.
- Avoid overheating. Uncoil the cable and do not cover it with any material.
- Do not run cable through doorways, holes in ceilings, walls or floors.


 Keep the Desktop 16 away from water.


- Do not use it when wet.
- Do not place the Desktop 16 in close proximity to flammable liquids or gases.

 The Desktop 16 power cord acts as the connect/disconnect device switching power on and off.


Desktop 16 Use Safety

There are specific risks associated with the use of Desktop 16 when moving or stationary (for charging or storage). You must be aware of, and avoid these risks when the Desktop 16 is located in close proximity to children.

 **WARNING:** Failure to observe the following Desktop 16 Use Safety notices may result in serious personal injury or equipment damage.

 Do not allow children to move the Desktop 16.

- Do not allow anyone to sit, stand, or climb on the Desktop 16.
- Do not block the fans and vent openings. To prevent overheating, leave at least 102 mm (4-inch) clearance around fans and vents.
- Regularly inspect and clean the vent openings to eliminate dust accumulation and keep the fans running at optimal performance levels.


 The Desktop 16 is designed to be used indoors only.

- Do not use the Desktop 16 to transport or store equipment other than what has been noted in this guide.
- Do not use the Desktop 16 to store liquids or cleaning supplies.
- Do not place heavy objects on the Desktop 16 surface.
 - The maximum weight capacity of the top surface is 25 lb (11.3 kg).

Moving the Desktop 16

Before moving the Desktop 16:


1. Disconnect the power cable from the wall.
2. Close and lock the doors.
3. Remove notebook and other items from the top work surface.

 Two people are required to lift the Desktop 16; use caution when lifting the Desktop 16 to prevent muscle strain.

Desktop 16 Placement

Observe these safety alerts for times when the Desktop 16 is stationary:

- Do not place Desktop 16 on an object or surface that cannot support its weight: 28.5 lbs (13 kg).
- Do not run cables through doorways, holes in ceilings, walls, or floors.
- Do not run cables across hallways, classrooms, or other areas where they will be walked on.
- Do not leave Desktop 16 unattended in areas where children have access.
- Keep Desktop 16 doors closed and locked whenever it is unattended or parked for charging or storage.


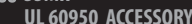





This device complies with Part 15 of the FCC Rules. Operation is subject to the following two conditions: 1) This device may not cause harmful interference. 2) This device must accept any interference received, including interference that may cause undesired operation.

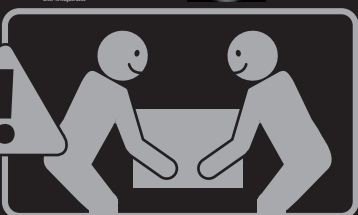

This Class A digital apparatus complies with Canadian ICES-003. / Cet appareil numérique de la classe A est conforme à la norme NMB-003 du Canada.

Product of China 827-417-00

TABLET MANAGEMENT MODULE
Input/Output: 100-240 V~, 3.0 A, 50/60 Hz

 **US 35MR LISTED**
 **UL 60950 ACCESSORY**



Specifications

This device complies with Part 15 of the FCC Rules. Operation is subject to the following two conditions: 1) This device may not cause harmful interference. 2) This device must accept any interference received, including interference that may cause undesired operation. This Class A digital apparatus complies with Canadian ICES-003. / Cet appareil numérique de la classe A est conforme à la norme NMB-003 du Canada.

この装置は、クラスA情報技術装置です。この装置を家庭環境で使用すると電波妨害を引き起こすことがあります。この場合には使用者が適切な対策を講ずるよう要求されることがあります。 VCCI-A

Desktop 16 dimensions

18.3 W x 16.2 D x 10.4 in H
(46.5 x 41 x 26.4 cm)

Desktop 16 weight (w/o equipment)

28.5 lb (13 kg)

Desktop 16 Rated weight capacity

Top Work Surface 25 lb (11.3 kg)

Accommodates maximum tablet size

Individual tablet dimensions (including cover):
up to 10.8 H x 7.7 W x 0.95 in D (27.4 x 19.6 x 1.3 cm)
Individual tablet weight: up to 2.2 lb (1 kg)

LED status indicators (ISI)

Lights indicate power status and syncing activity
Desktop 16 16 LED lights

Cooling/ventilation

One 12-volt DC continuous operation fan

Shipping dimensions

21.2 W x 18.6 D x 12.8 in H (53.8 x 47.3 x 32.5 cm)

Shipping weight

33.5 lb (15.0 kg)

Power System

100-240 V~, 3.0A, 50/60 Hz

Environmental

Temperature range:
Operating 0° to 30°C (32° to 86°F)
Storage -40° to 60°C (-40° to 140°F)
Relative humidity (maximum):
Operating 10%–90% (non condensing)
Storage 5%–95% (non condensing)
Altitude (maximum): 2000 m (6,562 ft)

Compatibility:

Made for
iPad Pro (9.7-inch) iPad mini 4
iPad Air 2 iPad mini 3
iPad Air iPad mini with Retina Display
iPad (5th generation) iPad mini
iPad (4th generation)

Service and Warranty

For Service on the Ergotron Tablet Managing Desktop 16
for iPad

Visit www.ergotron.com



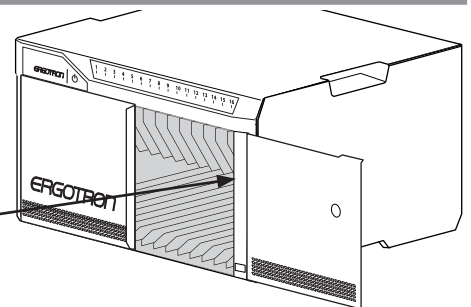
NOTE: When contacting customer service, reference the serial number.

www.ergotron.com

MADE IN CN
12-345-678



1234567-1234



ERGOTRON®

While Ergotron, Inc. makes every effort to provide accurate and complete information on the installation and use of its products, it will not be held liable for any editorial errors or omissions (including those made in the process of translation from English to another language), or for incidental, special or consequential damages of any nature resulting from furnishing this instruction and performance of equipment in connection with this instruction. Ergotron, Inc. reserves the right to make changes in the product design and/or product documentation without notification to its users. For the most current product information, or to know if this document is available in languages other than those herein, please contact Ergotron. No part of this publication may be reproduced, stored in a retrieval system, or transmitted in any form or by any means, electronic, mechanical, photocopying, recording or otherwise without the prior written consent of Ergotron, Inc., 1181 Trapp Road, Eagan, Minnesota, 55121, USA Patents Pending and Patented U.S. & Foreign. Ergotron is a registered trademark of Ergotron, Inc.

Americas Sales and Corporate Headquarters

St. Paul, MN USA
(800) 888-8458
+1-651-681-7600
www.ergotron.com
sales@ergotron.com

EMEA Sales

Amersfoort, The Netherlands
+31 33 45 45 600
www.ergotron.com
info.eu@ergotron.com

APAC Sales

Tokyo, Japan
www.ergotron.com
apaccustomerservice@ergotron.com

Worldwide OEM Sales

www.ergotron.com
info.oem@ergotron.com