

Assembly diagram showing the required hardware for the EVO® component. The diagram is divided into sections by vertical lines, with checkmarks and plus signs indicating the sequence of assembly steps.

**Step 1:** Indicated by a checkmark and a box containing a checkmark. Shows the main component being prepared.

**Step 2:** Indicated by a checkmark. Shows the main component with the following hardware:

- 4x 701153 (Screws)
- 109464 (Bracket)
- 109483 (Bracket)
- 109448 (Washer)
- 709877 (4mm Hex Key)

**Step 3:** Indicated by a plus sign. Shows the main component with the following hardware:

- 5700-DC / 5707-DC (Bracket)
- 109427 (Washer)
- 109428 (Washer)
- 709667 (Screw)
- 109955 (Washer)
- 110265 (Washer)
- 109886 (Washer)
- 709543 (Nut)

**Step 4:** Indicated by "or". Shows the main component with the following hardware:

- 5700-UC / 5707-UC (Bracket)
- 109683 (Washer)
- 109428 (Washer)
- 709667 (Screw)
- 109955 (Washer)
- 110265 (Washer)
- 109886 (Washer)
- 709543 (Nut)

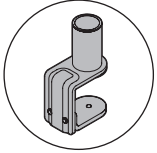
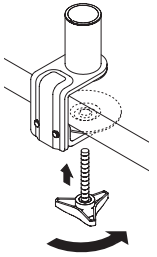
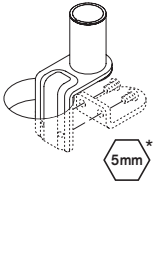
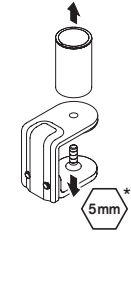
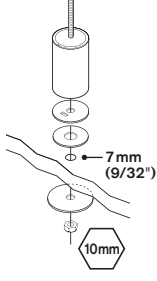
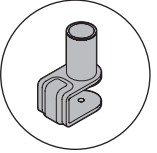
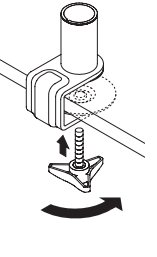
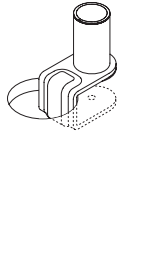
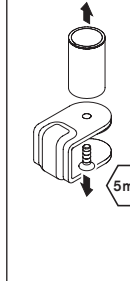
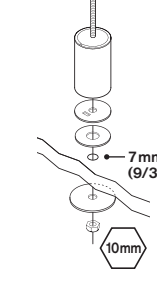
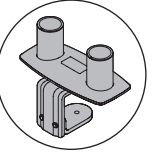
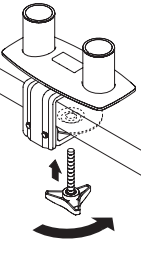
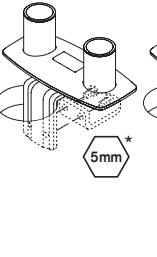
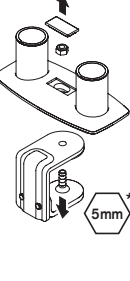
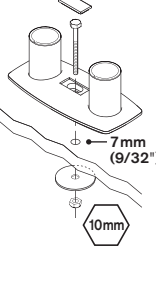
**Step 5:** Indicated by "or". Shows the main component with the following hardware:

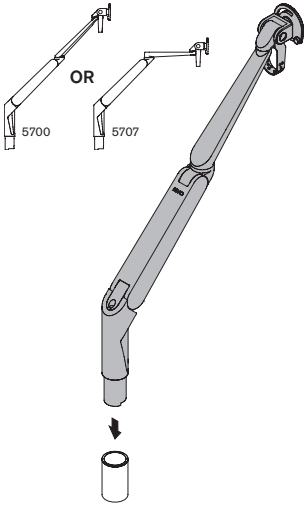
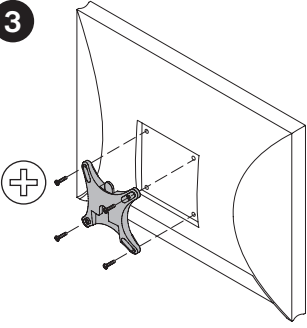
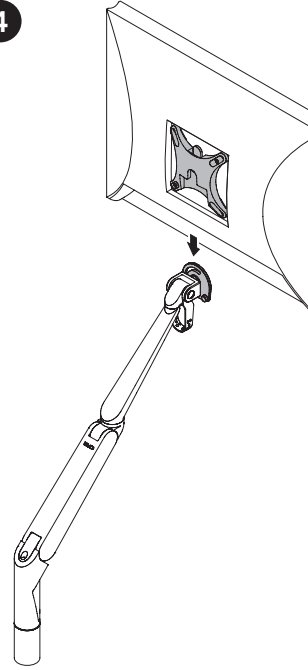
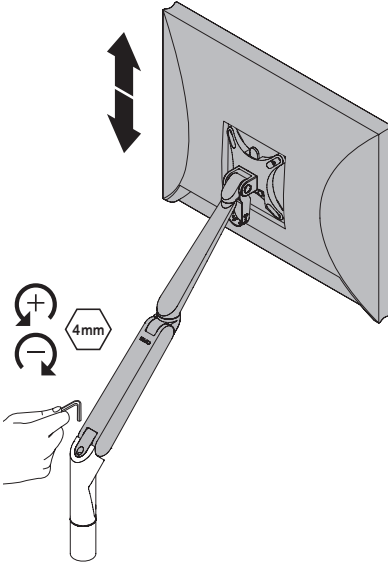
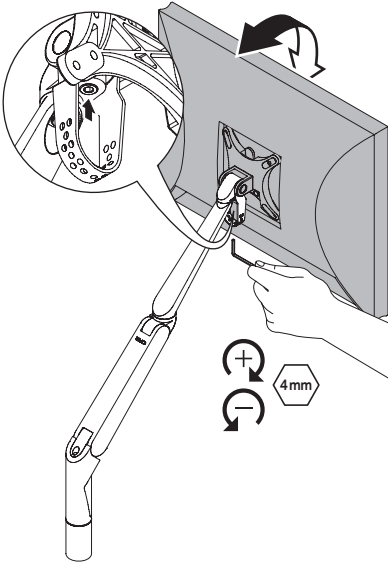
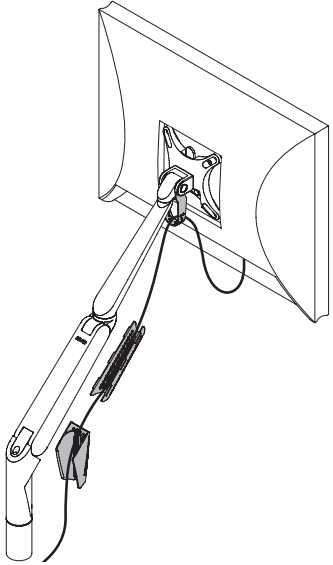
- 5702-DC (Bracket)
- 109427 (Washer)
- 109428 (Washer)
- 709667 (Screw)
- 109886 (Washer)
- 709543 (Nut)

**Step 6:** Indicated by "or". Shows the main component with the following hardware:

- 5702-THRU (Bracket)
- 709667 (Screw)
- 109886 (Washer)
- 709543 (Nut)

<b>1</b> 5700-DC / 5707-DC	<b>5700-UC / 5707-UC</b>	<b>5702-DC / 5702-THRU</b>
----------------------------	--------------------------	----------------------------

 <p><b>DESK EDGE</b></p>  <p><b>GROMMET</b></p>  <p><b>THRU-DESK</b></p>   <p style="text-align: center;">7mm (9/32") 10mm</p>	 <p><b>DESK EDGE</b></p>  <p><b>GROMMET</b></p>  <p><b>THRU-DESK</b></p>   <p style="text-align: center;">7mm (9/32") 10mm</p>	 <p><b>DESK EDGE</b></p>  <p><b>GROMMET</b></p>  <p><b>THRU-DESK</b></p>   <p style="text-align: center;">7mm (9/32") 10mm</p>
---	---	---

<p><b>2</b></p>  <p>OR 5700    5707</p>	<p><b>3</b></p> 	<p><b>4</b></p> 	<p><b>5</b></p>  <p style="text-align: center;">4mm</p>	<p><b>6</b></p>  <p style="text-align: center;">4mm</p>	<p><b>7</b></p> 
---	--	---	---	---	--

\* 5 mm wrench not included.