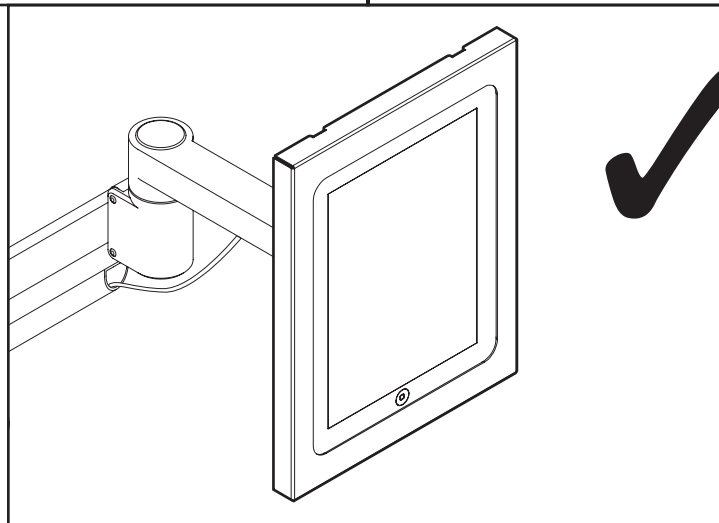
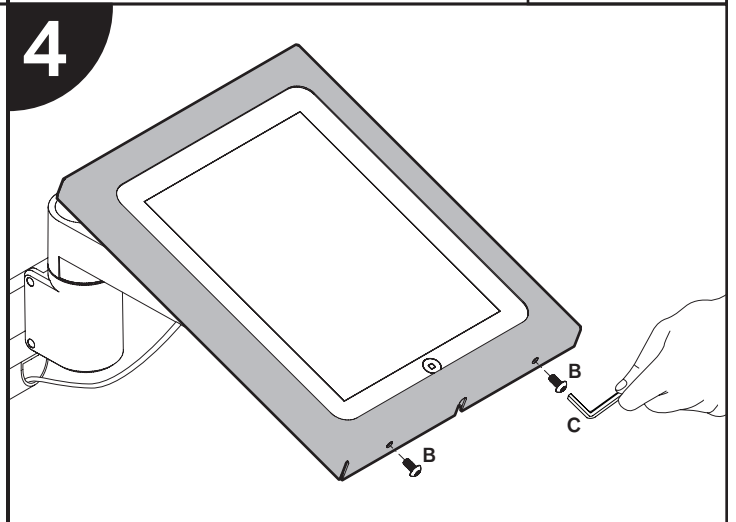
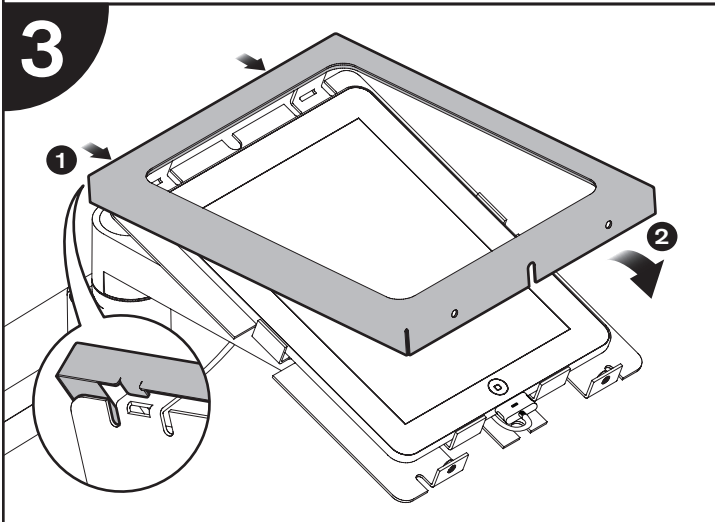
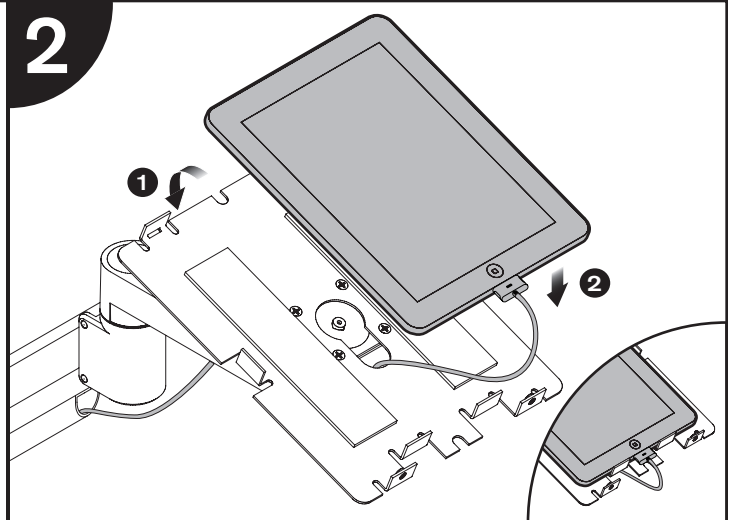
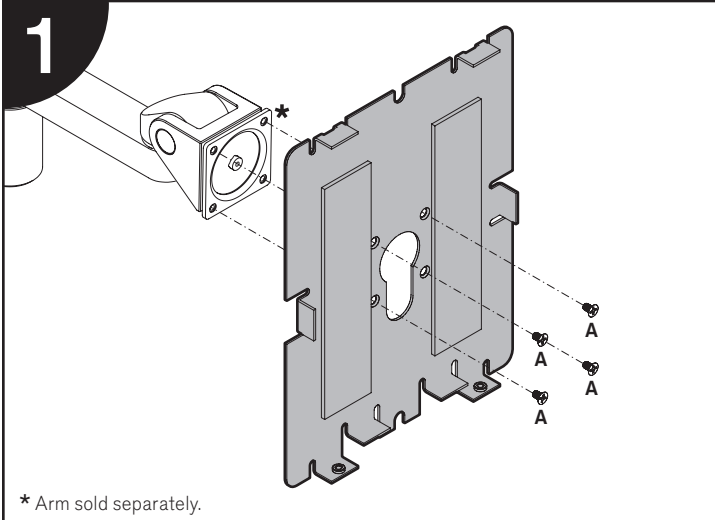
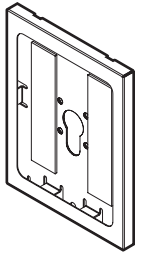


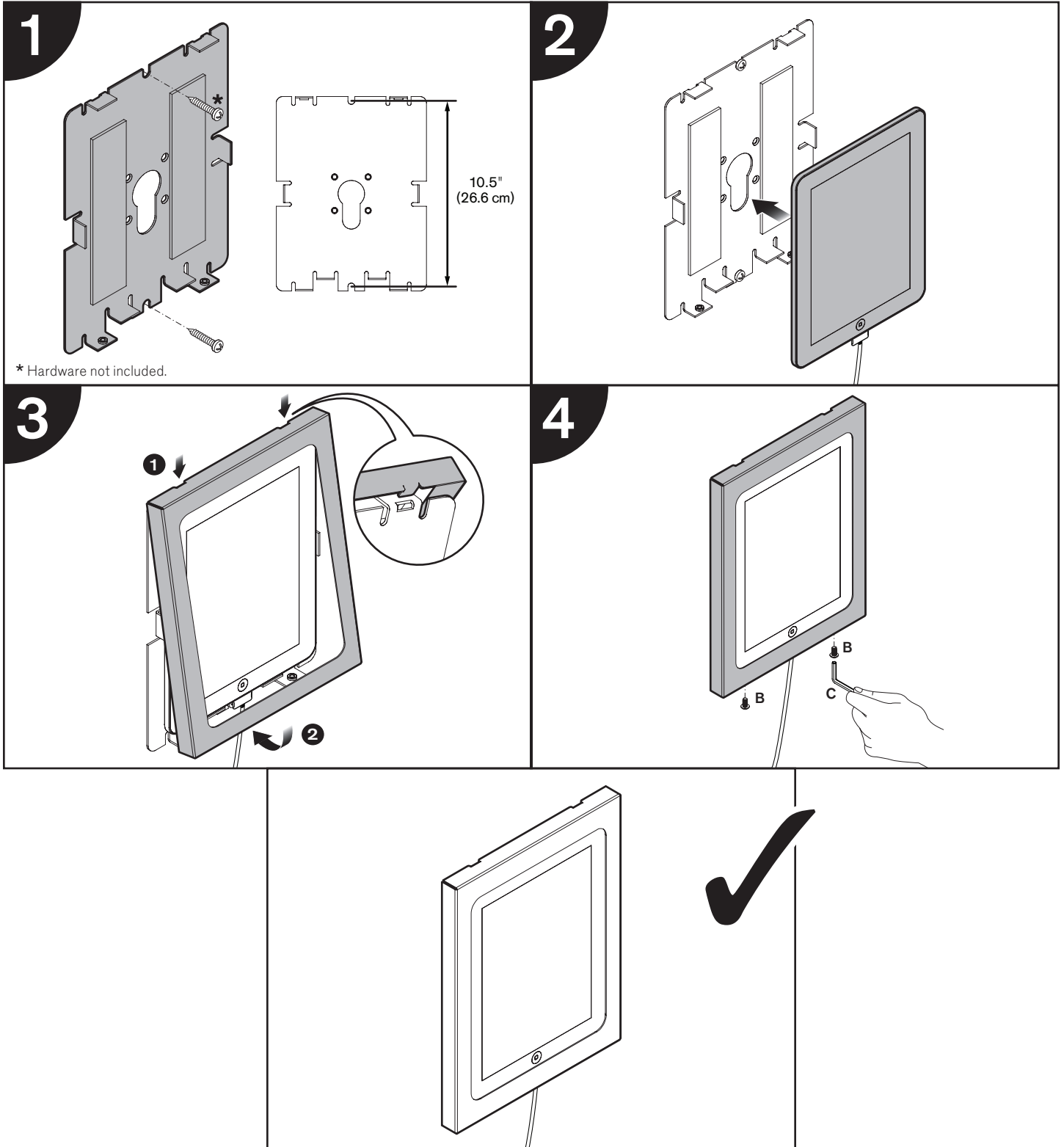
MODEL 8424 | Arm

Installation Instructions



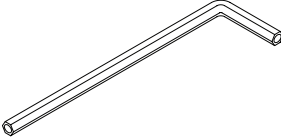
MODEL 8424 | Wall

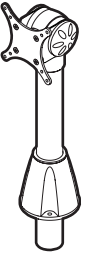
Installation Instructions



MODEL 8424

Parts List

ITEM	DESCRIPTION / PART NO.	QUANTITY
A	10-32 x 5/16" FPhMS 709648	4
		
B	10-32 x 3/8", Pin-in-Hex, BHCS 701887	2
		
C	5/32" Security Pin-in-Hex Key 701574	1
		



MODEL 9189

Installation Instructions

1

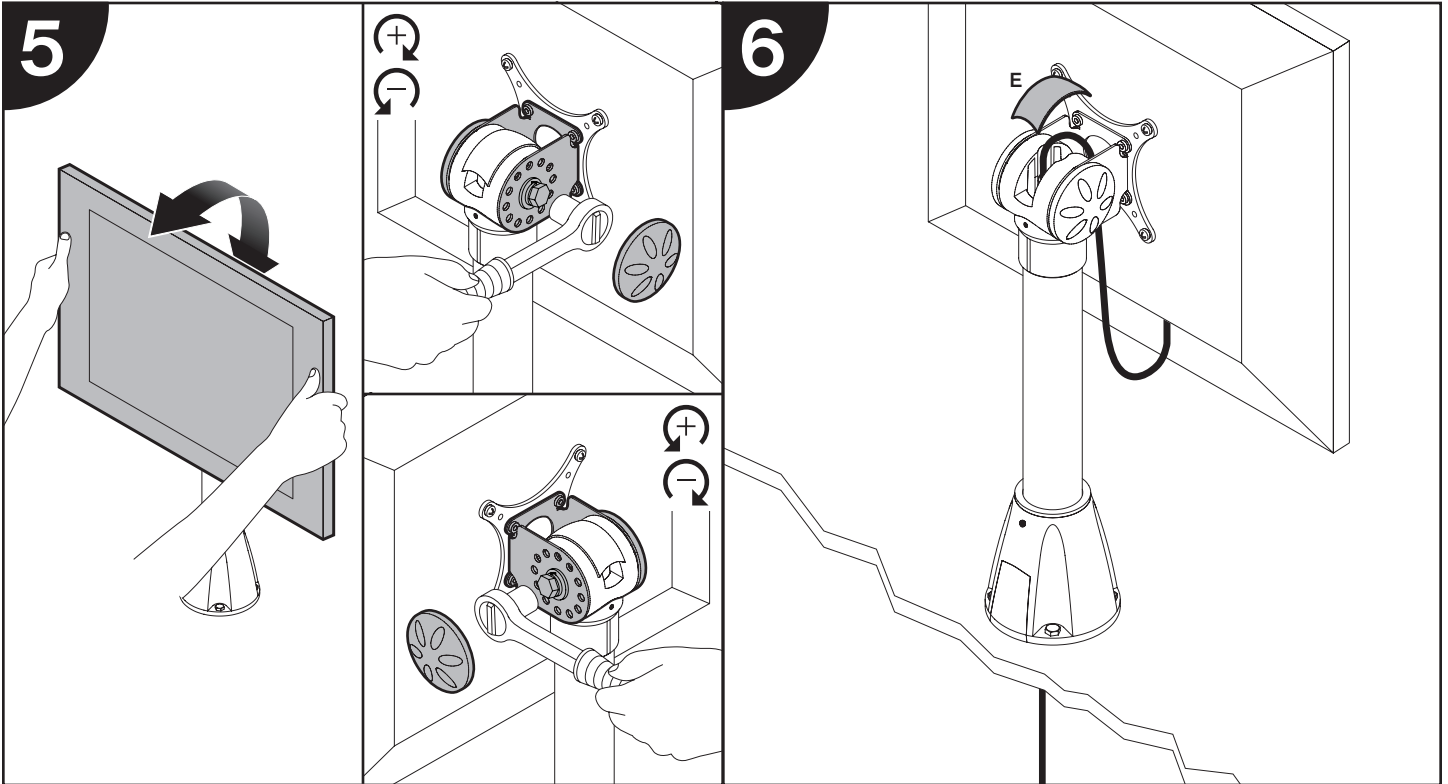
* Hardware not included.

2

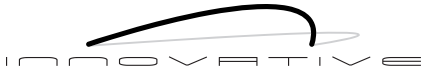
3

* Some monitors may require a spacer hardware kit. See page 3 for details.

4



800.524.2744
www.LCDarms.com



MODEL 9189

Parts List

ITEM	DESCRIPTION / PART NO.	QUANTITY
A	75/100mm VESA® Adapter Plate 105587	1
B	10-32 x 3/8" Phillips Flat Head Screw 702281	1 (4-pack)
C	M4 x 12mm Phillips Pan Head Screw 702096	1 (4-pack)

ITEM	DESCRIPTION / PART NO.	QUANTITY
D	3/32" Allen Wrench 700146	1
E	Tilter Cable Cover 105134	1
F	Base Cable Cover 105134	1

OPTIONAL SPACER KITS In some cases, the mounting surface on your monitor may be recessed further than permitted by VESA® standards. As a result, a spacer kit may be required.

	<p>.25" Spacer Hardware Kit (4) .25" Spacers (4) M4 x 18mm Phillips Pan Head Screws Order # P404923-B</p>	<p>.5" Spacer Hardware Kit (4) .5" Spacers (4) M4 x 25mm Phillips Pan Head Screws Order # P404923-C</p>
--	---	---