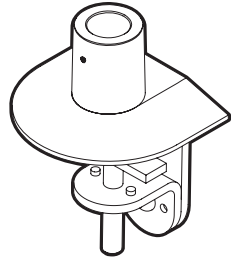


# FLEXMOUNT® 8111

## Installation Instructions



### Desk Clamp

- 1
- 2
- 3

### Thru-Desk

8111-CUP	8111-THRU

### Wall Mount

- 1
- 2

\* Hardware not included.

### Reverse Wall Mount

- 1
- 2

\* Hardware not included.

### Grommet Hole

- 1
- 2
- 3


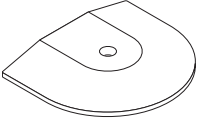
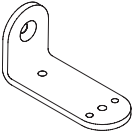
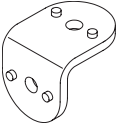
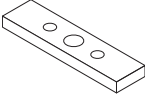
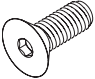
### Side Bolt

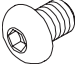

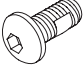
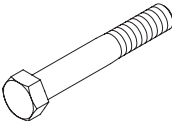
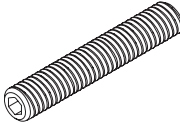
- 1
- 2

\* Hardware not included.

# FLEXMOUNT® 8111

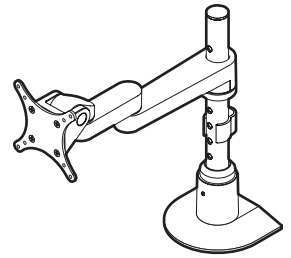
## Parts List

ITEM	DESCRIPTION / PART NO.	QUANTITY
A 	Mount Column 401328	1
B 	Base Plate 406656	1
C 	Large "L" Bracket 701117	1
D 	Small "L" Bracket 111728	1
E 	Rectangular Spacer 701544	1
F 	3/8-16 x 1" Flat Socket Cap Screw 701124	1

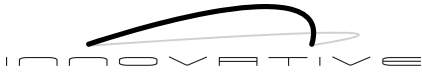
ITEM	DESCRIPTION / PART NO.	QUANTITY
G 	3/8-16 x 1/2" BHSCS 702898	1
H 	3/8-16 Nylon Stop Nut 701418	1
I 	3/8-16 x 7/8" Button Socket Cap Screw 701122	1
J 	3/8-16 x 2-1/2" Hex Head Bolt 700268	1
K 	1/2-13 x 3" Socket Set Screw 701126	1

# MODEL 9114

## Installation Instructions



<p><b>1</b></p>	<p><b>2</b></p>	<p><b>3</b></p>
<p><b>4</b></p>	<p><b>5</b></p> <p>*Some monitors may require a spacer hardware kit. See page 2 for details.</p>	<p><b>6</b></p>
<p><b>7</b></p>	<p><b>8</b></p>	<p><b>9</b></p>



# MODEL 9114

## Parts List

ITEM	DESCRIPTION / PART NO.	QUANTITY
A	<b>Pole Snap Outer Cover</b> 105197	1
B	<b>Pole Snap Inside Grip</b> 106648	2
C	<b>3/32" Allen Wrench</b> 700146	1
D	<b>Monitor Tilter</b> 405397	1
E	<b>75/100mm VESA® Adapter Plate</b> 1 105587	1
F	<b>M4 x 12 Phillips Pan Head Screw</b> 4 702096 (4 pack)	4

ITEM	DESCRIPTION / PART NO.	QUANTITY
G	<b>M4 x 12mm Phillips Pan Head Screw</b> 1 702096 (4 pack)	1
H	<b>Dog Washer</b> 105189	1
I	<b>10-32 x 3/8" FPhMS w/Lock Patch</b> 1 705198	1
J	<b>7/32" Allen Wrench</b> 701127	1
K	<b>Cable Clip</b> 104533	1

**OPTIONAL SPACER KITS** In some cases, the mounting surface on your monitor may be recessed further than permitted by VESA® standards. As a result, a spacer kit may be required.

	<p><b>.25" Spacer Hardware Kit</b>            (4) .25" Spacers            (4) M4 x 18mm Phillips Pan Head Screws            Order # P404923-B</p>	<p><b>.5" Spacer Hardware Kit</b>            (4) .5" Spacers            (4) M4 x 25mm Phillips Pan Head Screws            Order # P404923-C</p>
--	---	---