

ASSEMBLY INSTRUCTIONS

Anthro Steve's Station SideRack - Floormount



WELCOME

Hello! Thank you for choosing Anthro.

These instructions describe the installation of Anthro's Steve's Station SideRack-Floormount. If you have any questions or if we can help you in any way, please contact Anthro at 800.325.3841.

TOOLS

The Anthro 5/32" hex driver, provided with your Steve's Station table, is required for this installation.

PARTS LIST

Before beginning this assembly, please take a moment to review the parts list below to verify that your shipment is complete.

Product	Quantity	Part Number
01 STSR3 Platform	1	835-STSR3-00
02 Hoop	1	225-4437-61
03 Strap and Buckle Kit (not shown)	1	835-ZSTRBK-00



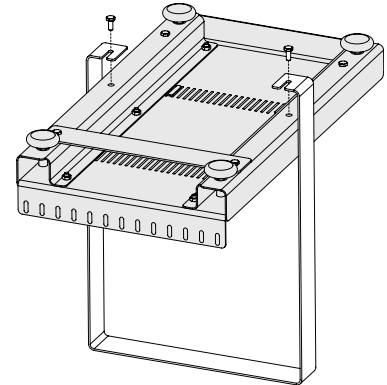
Anthro Corporation® | 10450 SW Manhasset Dr. | Tualatin, OR 97062
Toll-free: 800.325.3841 | Fax: 800.325.0045 | email: sales@anthro.com | anthro.com
Outside the U.S. | Tel: 503.691.2556 | Fax: 503.691.2409

STEP 1

Install the Hoop

The Steve's Station SideRack Floor-mount is a free-standing platform. Set it next to your table or straddle the Steve's Station foot so it's under the worksurface.

- The Steve's Station SideRack Floor-mount comes with a hoop that extends 16.25" above the platform and shows the safe height limit for items stored under the table at the table's lowest position.
- Select an installation point for the hoop. It can go near the back of the platform, at the center, or near the front. To install the hoop, use the Anthro driver (from your Steve's Station installation kit) to loosen two fasteners on the bottom of the platform. Align the slots on the hoop with the loosened fasteners and slide the hoop into place. Tighten the fasteners and turn the platform onto its feet.



STEP 2

Add Options

- Install the Strap and Buckle Kit using its enclosed instruction.
- Did you order casters for your SideRack? Install them now. Remove the feet from your SideRack. Slide a washer over the threaded stem on each caster and thread them into the platform.

CONGRATULATIONS!
YOUR SIDERACK ASSEMBLY IS COMPLETE!



300-5555-00

December 2011

Warranty:

For warranty information, please visit:
<http://www.anthro.com/support/warranty>

Notices:

Technology Furniture and Steve's Station are trademarks of Anthro Corporation. Anthro reserves the right to modify the design and specifications without prior notice.

Questions? Call us at **800.325.3841** or visit anthro.com. We're happy to walk you through the assembly!