

Glide Upgrade & Retrofit Assembly Instructions



Hello! Thank you for choosing Anthro.

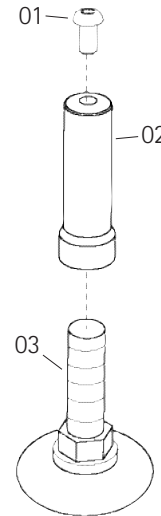
These Assembly Instructions are for both the Glide Upgrade & Glide Retrofit. They should be used as a supplement to your AnthroCart or Fit System instructions.

The AnthroCart (shown shaded) is not included with this accessory. A $\frac{5}{32}$ " Hex Driver & Adjustable Crescent Wrench (both not included) will be required for this assembly.

SAVE THESE INSTRUCTIONS!

Component part #'s for the Glide Upgrade & Retrofit.

01- Insert Screws.....Qty. Varies.....	325-5052-00
02- AnthroCart Glide InsertsQty. Varies.....	525-1004-00
Fit Glide InsertQty. Varies.....	525-5033-00
03- Glides.....Qty. Varies.....	325-5042-00



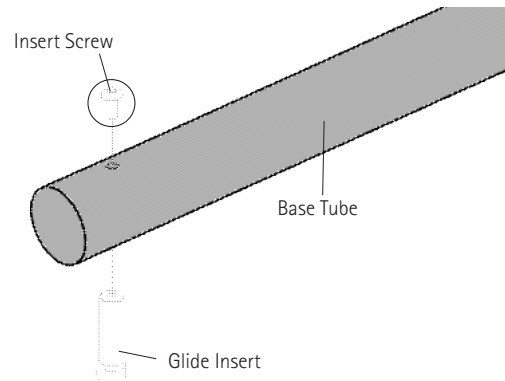
Questions? 1-800-325-3841

Step 1

If needed, remove all Caster Inserts from the Base Tube using a $\frac{5}{32}$ " Hex Driver.

NOTE: Only install the AnthroCart Glide Insert into an AnthroCart and the fit Glide Insert into a fit System cart.

Install all (AnthroCart or fit System) Glide Inserts into the Base Tube and secure with one Insert Screw per Glide Insert.



Step 2

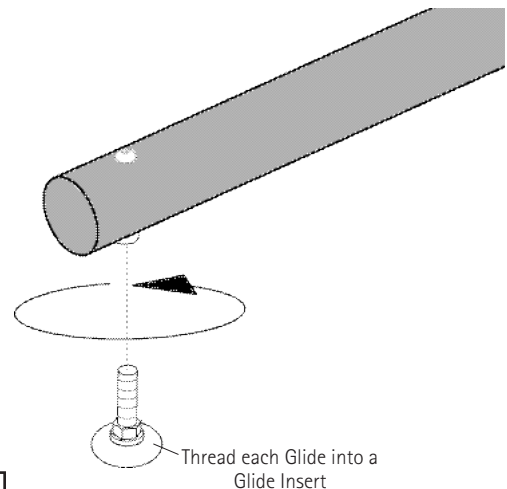
Thread each Glide into a Glide Insert.

TIP: After your Cart assembly is complete, the overall height may be adjusted by rotating the Glides. An Adjustable Crescent Wrench will make this process easier.

COUNTERCLOCKWISE rotation will lower the overall height.

CLOCKWISE rotation will raise overall height.

Congratulations! Your Glide installation is complete.



300-5090-00