



Small / Large Drawer Assembly Instructions

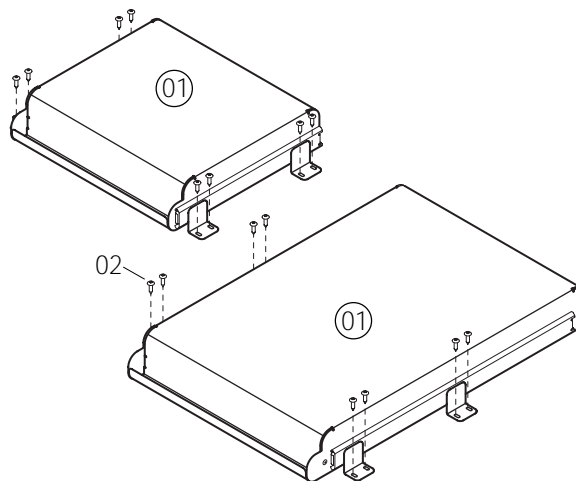


Hello! Thank you for choosing Anthro.

Before beginning installation of your Small/Large Drawer, please take a moment to review the parts listed to verify that your shipment is complete.

The **fit system** unit (shown shaded & purchased separately) must be completely assembled prior to assembling the Small/Large Drawer. It may be helpful to review the assembly instructions of all Anthro products you purchased and are planning to include in this installation.

SAVE THESE INSTRUCTIONS!



Component list for part # 413xx, 415xx.

01- Drawer Assembly	(see below)
413xx	Qty. 1 225-2017-00
415xx	Qty. 1 225-2018-00

Questions? 1-800-325-3841

02- 3/4" Wood Screws	Qty. 8	325-5106-00
----------------------------	--------------	-------------

The following Tools (not included) will be needed:
A 5/32" Hex Driver, Electric Drill, 1/8" Drill Bit & Masking Tape.

Step 1

Carefully rotate your **fit System** unit over on to its Worksurface. Decide on the location to mount your Small/Large Drawer, then position the Drawer Assembly into place.

Mark the locations of the eight slotted holes of both Drawer Glides on the underside of the shelf. Then remove the Drawer Assembly.

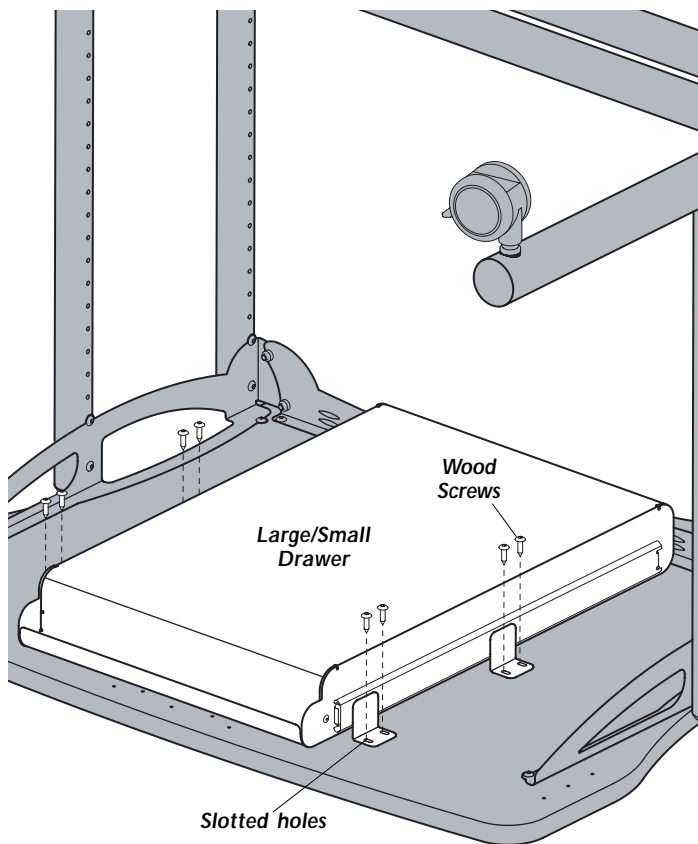
Drill all eight holes using a 1/8" Drill Bit (approximately 3/4" deep), being careful not to drill through the Worksurface.

TIP: Place a small amount of masking tape at 3/4" on your Drill Bit to guide the hole depth.

Once all the holes have been drilled, align the Small/Large Drawer Glides with the Drilled Holes, then secure to the Worksurface using the eight Wood Screws.

Finally, rotate your **fit System** unit back over onto its Casters.

Congratulations! Your assembly is complete.



Shown with the Large Drawer

