

# Keyboard Drawer

## Assembly Instructions



Hello! Thank you for choosing Anthro.

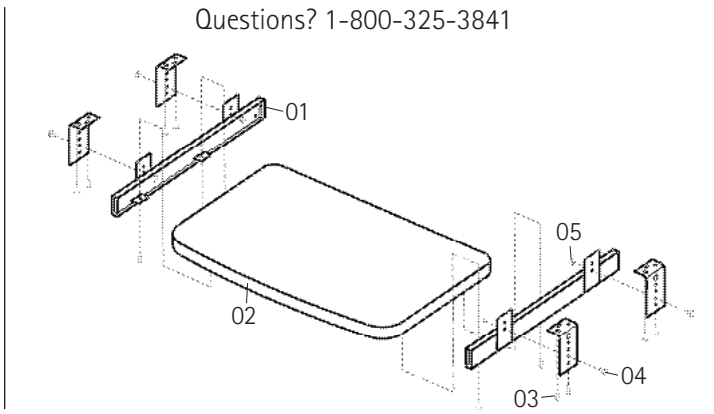
Before beginning installation of your Keyboard Drawer, please take a moment to review the parts listed to verify that your shipment is complete.

The Cart (shown shaded) is not included with this accessory. An electric drill & 1/8" drill bit may be required to drill the mounting holes for your Keyboard Drawer. It may also be helpful to review the assembly instructions of all Anthro products you purchased and are planning to include in this installation.

SAVE THESE INSTRUCTIONS!

Component list for part #'s 18xx, 20xx & 30xx.

01-Caddy Glides.....	Qty. 1 pr.....	225-5190-00
02-Keyboard Drawer .....	Qty. 1 .....	(see below)
18"W X 11"D (18xx).....		100-6489-xx
20"W X 11"D (20xx).....		100-6359-xx
30"W X 11"D (30xx).....		100-6304-xx



Questions? 1-800-325-3841

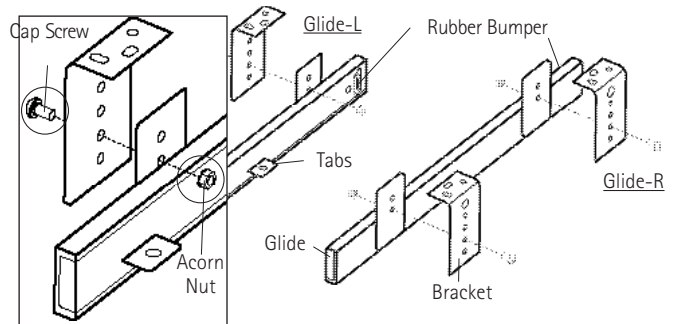
03-3/4" Wood Screws.....	Qty. 12.....	325-5106-00
04-10-24 X 3/8" Cap Screws.....	Qty. 4.....	325-5232-00
05-10-24 Acorn Nuts.....	Qty. 4.....	325-5023-00

A 1/8" Hex Key, has been provided to assist you in this assembly.

### Step 1

Align a Mounting Bracket with a Glide as shown. Insert a Pan Screw through the selected hole of the Bracket & Glide, capturing on the opposite side with a Keps Nut.

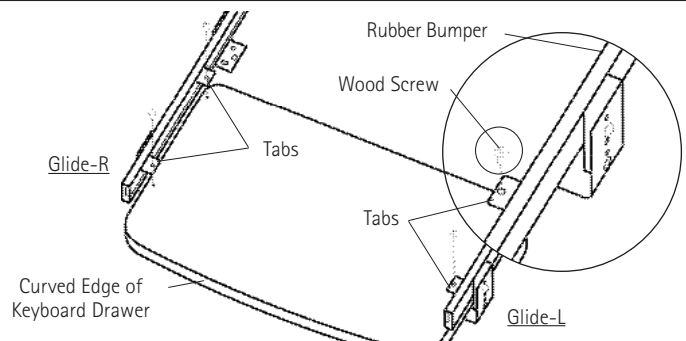
Repeat for remaining Brackets & Glides.



### Step 2

Place the Keyboard Drawer between both Glides.

Align the predrilled holes on the Drawer with the holes on each of the tabs (located on the Glides). Secure using a total of four Wood Screws.



### Step 3

Pull the Drawer out. Align the two holes on each Bracket with the predrilled holes on a Shelf. Secure using a total of eight Wood Screws.

Congratulations! Your assembly is complete.



If your Shelf is not predrilled: place the Keyboard Drawer in the desired location. Mark all eight holes, then carefully drill using a 1/8" drill bit (3/4" deep). **TIP:** Place a small amount of masking tape at 3/4" on your drill bit to guide the hole depth.

