

ASSEMBLY INSTRUCTIONS

# SideRack with Caster



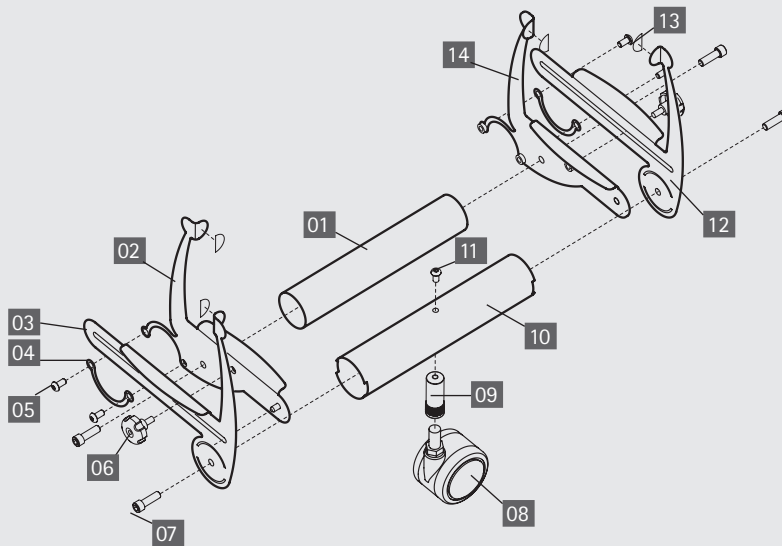
| Product              | Part#          |
|----------------------|----------------|
| SideRack with Caster | 541xx<br>564xx |

NOTE: The AnthroCart is not included.



Anthro Corporation® | 10450 SW Manhasset Dr. | Tualatin, OR 97062  
Toll-free: 800.325.3841 | Fax: 800.325.0045 | email: sales@anthro.com | anthro.com  
Outside the U.S. | Tel: 503.691.2556 | Fax: 503.691.2409

Rev B, September 2014



## WELCOME

Thank you for purchasing SideRack with Caster.

The AnthroCart (shown shaded) is not included with this accessory. A 5/32" Anthro Hex Driver (you got one with your cart) will be required for this assembly.

It may be helpful to review the assembly instructions of all Anthro products you purchased and are planning to include in this installation.

If you have any questions or if we can help you in any way, please contact us at 800.325.3841.

**SAVE THESE INSTRUCTIONS!**

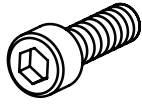
## PARTS LIST

Before beginning assembly of your SideRack with Caster, please review the parts list to verify that your shipment is complete.

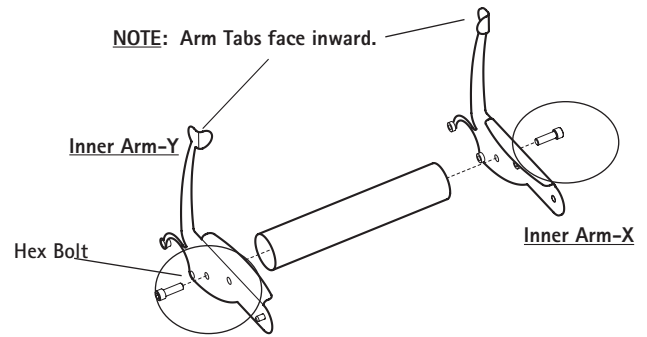
| Product  | Quantity | Part Number                               |
|--|----------|---|
| 01 Outer Base Tube (9.26"X1.75")   | 1        | 125-5192xx                                |
| 02 SideRack Inner Arm-Y<br>(541xx)<br>(564xx)  | 1        | (see below)<br>225-5771-xx<br>225-5775-xx |
| 03 SideRack Outer Arm-Y<br>(541xx)<br>(564xx)  | 1        | (see below)<br>225-5770-xx<br>225-5774-xx |
| 04 SideRack Hitch<br>(541xx)<br>(564xx)  | 2        | (see below)<br>225-5579-xx<br>225-5389-xx |
| 05 Button Head Screws (1/4-20 X .5")   | 4        | 325-5003-00                               |
| 06 Knobs (Davies Short)  | 2        | 325-5213-00                               |
| 07 Hex Bolt (5/16-18 X 1")   | 4        | 325-5136-00                               |
| 08 Caster<br>(541xx) (3" Non-Locking Caster)<br>(564xx) (2 <sup>3</sup> / <sub>8</sub> " Non-Locking Caster) | 1        | (see below)<br>150-5031-00<br>150-5002-00 |
| 09 Caster Insert<br>(541xx) fit Caster Insert<br>(564xx) Standard Insert                                     | 1        | (see below)<br>525-5031-00<br>525-1000-00 |
| 10 Center Base Tube<br>(541xx) (9.74"X2.0")<br>(564xx) (9.74"X1.75")   | 1        | (see below)<br>125-5246-xx<br>125-5193-xx |
| 11 Insert Screw  | 1        | 325-5052-00                               |
| 12 SideRack Outer Arm-X<br>(541xx)<br>(564xx)  | 1        | (see below)<br>225-5769-xx<br>225-5773-xx |
| 13 Adhesive Pads   | 4        | 175-5148-00                               |
| 14 SideRack Inner Arm-X<br>(541xx)<br>(564xx)  | 1        | (see below)<br>225-5772-xx<br>225-5776-xx |

## STEP 1

- Position both Inner Arms with the Outer Base Tube and loosely secure using two Hex Bolts. *NOTE: The Outer Base Tube ends are not keyed.*



1" Socket-head Cap Screw  
325-5136-00

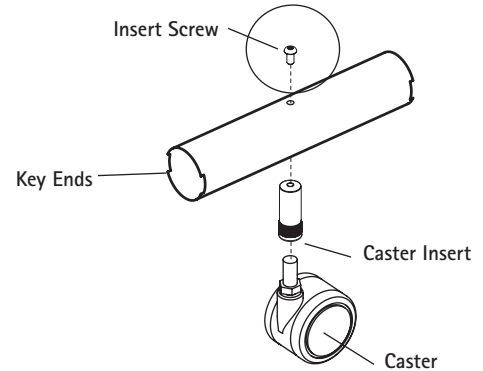


## STEP 2

- Install the Caster Insert into the Center Base Tube and secure using the Insert Screw. Next, push the Caster into the Caster Insert. *NOTE: The Center Base Tube ends are keyed.*



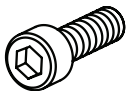
1/2" Caster Insert Screw  
325-5052-00



## STEP 3

- Place the Center Base Tube against the Outer Arm-Y (inserting the Keyed ends with the Outer Arm). Secure the Outer Arm to the Base Tube using one Hex Bolt.

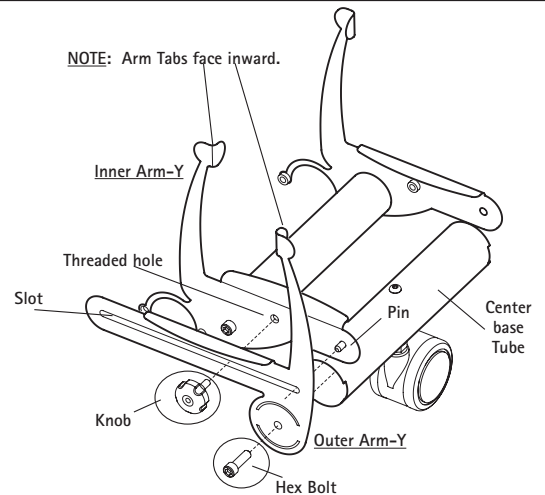
Next, position the Outer Arm-Y against the Inner Arm-Y, inserting the Pin through the Slot. Then, align the Slot with the remaining Threaded Hole and carefully thread the Knob into the Inner Arm-Y.



1" Socket-head Cap Screw  
325-5136-00



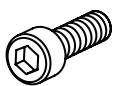
DAVIES 1.25" DIA SHRT KNOB  
325-5213-00



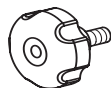
## STEP 4

- Attach the outer Arm-X to the Inner Arm-X using the same procedure used in Step 3.

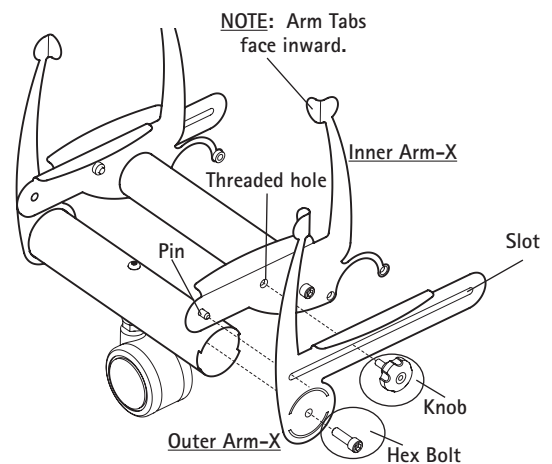
*NOTE: Do not fully tighten both Knobs.*



1" Socket-head Cap Screw  
325-5136-00



DAVIES 1.25" DIA SHRT KNOB  
325-5213-00



## STEP 5A

- Loosely secure each Hitch to the Inner Arms using one Button Head Screw per Hitch.

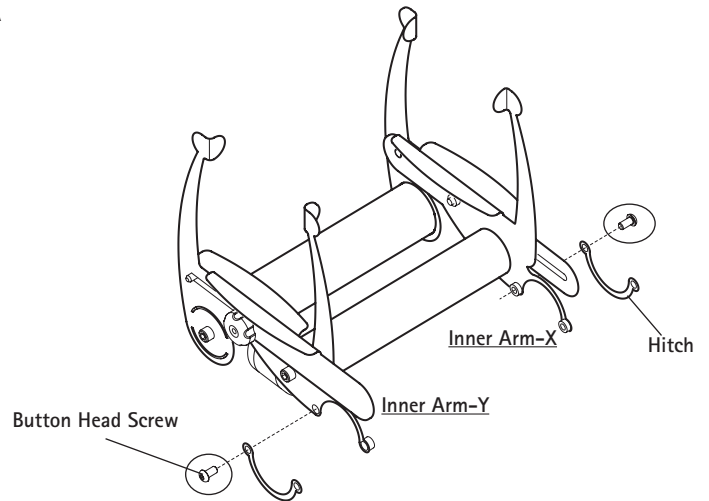
## STEP 5B

- Select the location to install your SideRack onto the Base Tube of your assembled AnthroCart or **fit** Unit.

Rest the Inner Arms on top of the Base Tube.

Rotate the Hitches up and underneath the Base Tube. Align the remaining Hitch holes with the Threaded holes of the Inner Arms and secure using one Button Head Screw per Hitch.

5A



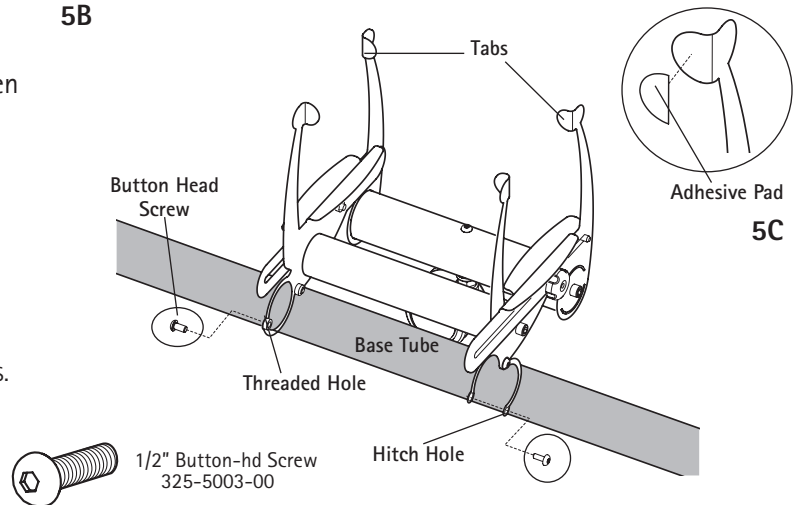
## STEP 5C

- Align the SideRack into its final position, then tighten all Screws. Finally, install the Adhesive Pads onto the Tabs of the Arms.

To install a CPU into you SideRack:

- Loosen the Knobs to allow the Outside Brackets to slide freely.
- Position the tabs to best fit your CPU.
- Place your CPU into the SideRack.
- Once your CPU is in place, fully tighten both Knobs.

5B



**CONGRATULATIONS! YOUR SIDERACK WITH CASTER ASSEMBLY IS COMPLETE!**

