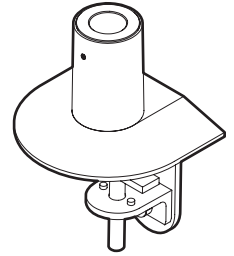


FLEXMOUNT® 8318

Installation Instructions



Desk Clamp

- 1
- 2
- 3

Thru-Desk

8318-CUP

- 1

8318-THRU

- 1

Wall Mount

- 1
- 2

* Hardware not included.

Reverse Wall Mount

8318-WALL

- 1
- 2

* Hardware not included.

Grommet Hole

- 1
- 2
- 3

> 2.5"

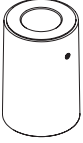
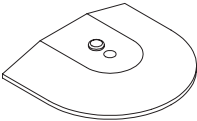
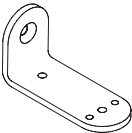
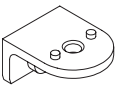
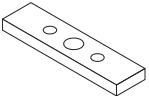
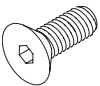
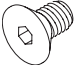
Side Bolt


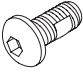
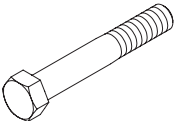
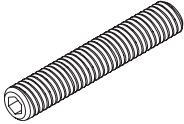
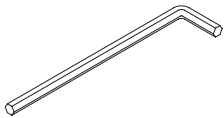

- 1
- 2

* Hardware not included.

FLEXMOUNT® 8318

Parts List

ITEM	DESCRIPTION / PART NO.	QUANTITY
A 	Mount Column 407602	1
B 	Base Plate 8321	1
C 	Large "L" Bracket 702828	1
D 	Small "L" Bracket 111728	1
E 	Rectangular Spacer 701544	1
F 	3/8-16 x 1-1/4" Flat Socket Cap Screw 701855	1
G 	3/8-16 x 1/2" BHSCS 702898	1

ITEM	DESCRIPTION / PART NO.	QUANTITY
H 	3/8-16 Nylon Stop Nut 701418	1
I 	3/8-16 x 7/8" Button Socket Cap Screw 701122	1
J 	3/8-16 x 2-1/2" Hex Head Bolt 700268	1
K 	1/2-13 x 3" Socket Set Screw 701126	1
L 	7/32" Allen Wrench 701127	1
M 	3/32" Allen Wrench 700146	1