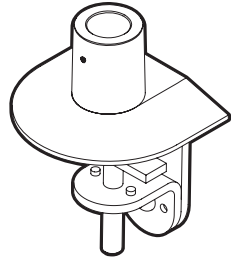


FLEXMOUNT® 8111

Installation Instructions



Desk Clamp

- 1
- 2
- 3

Thru-Desk

8111-CUP	8111-THRU

Wall Mount

- 1
- 2

* Hardware not included.

Reverse Wall Mount

- 1
- 2

* Hardware not included.

Grommet Hole

- 1
- 2
- 3

> 2.5"


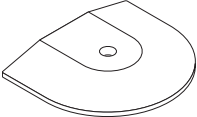
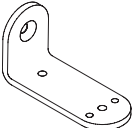
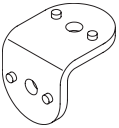
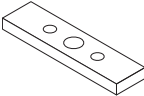
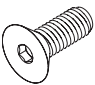
Side Bolt



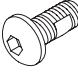
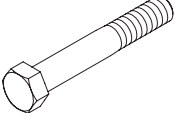
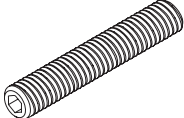
- 1
- 2

* Hardware not included.

FLEXMOUNT® 8111

Parts List

ITEM	DESCRIPTION / PART NO.	QUANTITY
A 	Mount Column 401328	1
B 	Base Plate 406656	1
C 	Large "L" Bracket 701117	1
D 	Small "L" Bracket 111728	1
E 	Rectangular Spacer 701544	1
F 	3/8-16 x 1" Flat Socket Cap Screw 701124	1

ITEM	DESCRIPTION / PART NO.	QUANTITY
G 	3/8-16 x 1/2" BHSCS 702898	1
H 	3/8-16 Nylon Stop Nut 701418	1
I 	3/8-16 x 7/8" Button Socket Cap Screw 701122	1
J 	3/8-16 x 2-1/2" Hex Head Bolt 700268	1
K 	1/2-13 x 3" Socket Set Screw 701126	1