



THE PERFECT FIT FOR ANY CORNER DESK

Designed to fit into the corner of a 90° desk, Solace Corner converts an existing desk to a smooth and effortless sit-stand solution. The large 42" worksurface includes three grommets for cable management and easily accommodates two 27" monitors. It provides a wide 13.8" lifting range through a smooth and quiet gas-assisted system. The independent keyboard surface can be tilted to ergonomically adjust the unit. Solace Corner ships fully assembled, no tools are required, making this an ideal retrofit option.



Solace Desktop Corner in the down position

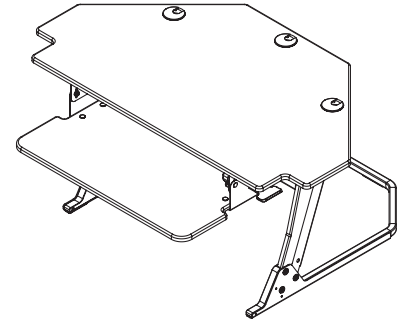


Solace Desktop Corner in the up position

SOLACE DESKTOP CORNER

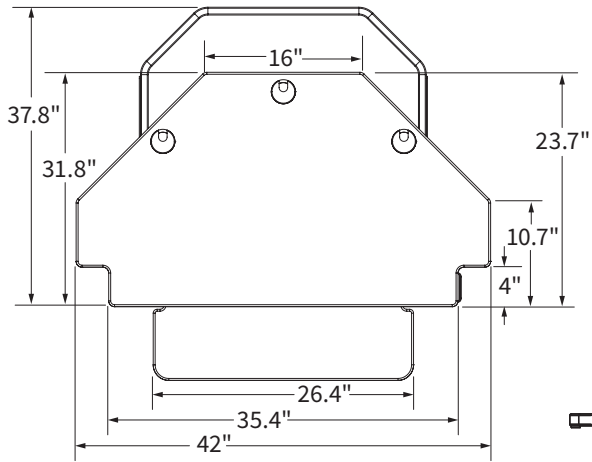
Specifications:

- Designed to fit 90° corner desktops, for optimal use of desk corner
- Dual worksurface includes independent keyboard surface
- 35 lb. lifting capacity
- 13.8" lifting range, 20" above desktop
- Primary Worksurface:
 - 42" W × 23.7" D
 - Includes grommet for cable management
 - Wider width accommodates wider monitors (up to two 27")
- Keyboard surface:
 - 26.4" W × 13" D
 - Independent surface with 20° (+10°/-10) of tilt

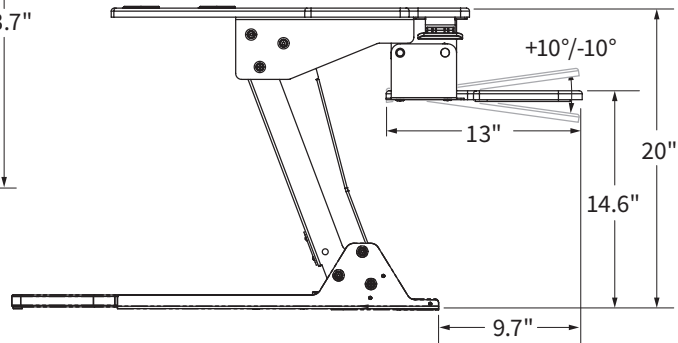


Dimensions

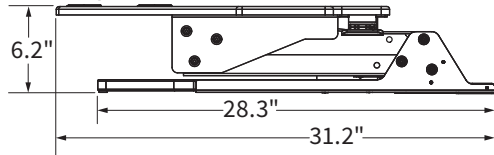
Height & width



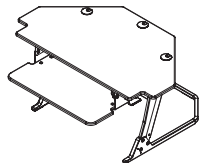
Depth & range



Stowed Depth



Solace Desktop Corner



- 35 lb. capacity
- 13.8" lift range, 20" above desktop
- Separate keyboard surface with 20° of tilt (+10°/-10°)
- Available in black
- Warranty: 2 years

Model #	Weight	US \$ List	CAN \$ List
SOL-CU-DT-B	42	\$640	\$821