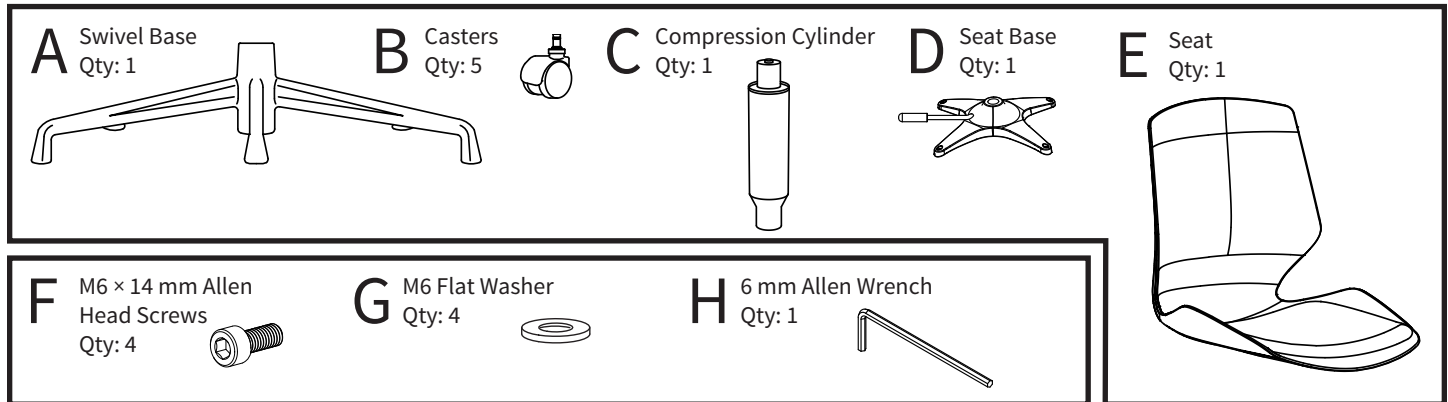


Line of Sight CHAIR 101 Installation Instructions: LOS-101-PB-GB

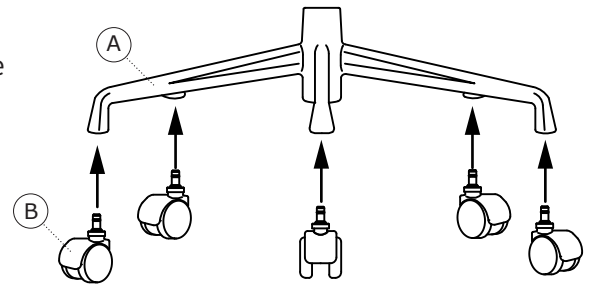


Parts Included



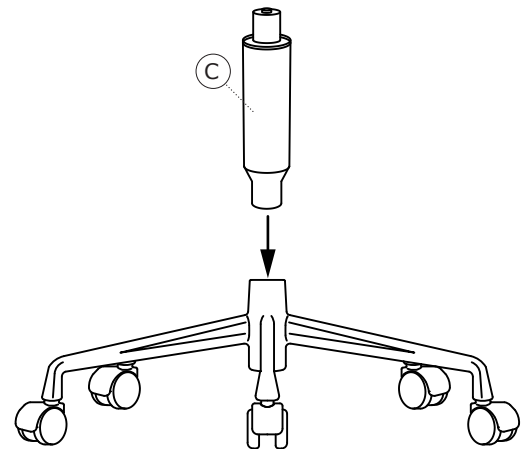
1 Insert Casters into Bottom of Swivel Base

Insert the five Casters (B) into the bottom of the five legs of the Swivel Base (A). Insert until they *snap* into place.



2 Insert Compression Cylinder into Top of Swivel Base

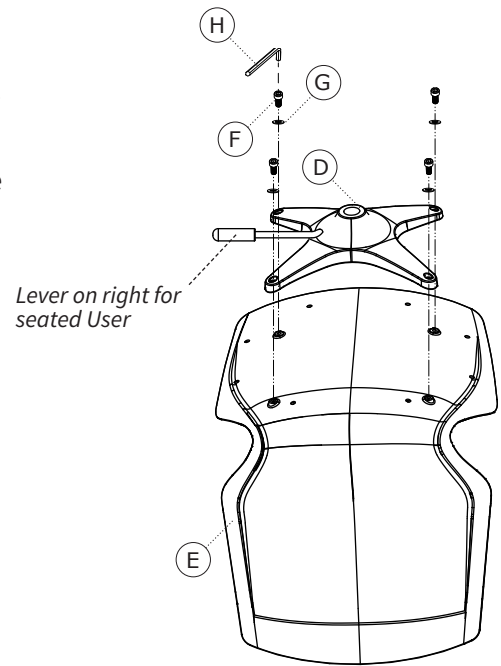
Insert the Compression Cylinder (C) into the top of the Swivel Base assembly. Gravity will keep the Cylinder in place.



3 Attach Seat Base to Bottom of Seat

Attach the Seat Base (D) to the bottom of the Seat (E) with the four M6 × 14 mm Allen Head Screws (F) and four M6 Flat Washers (G) using the 6 mm Allen wrench (H) supplied.

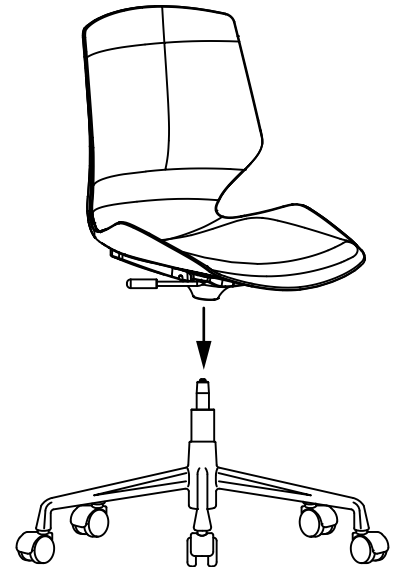
Note: Make sure the Height Adjustment Lever is on the right side for a seated User when flipped right side up.



4 Insert Seat Base onto Compression Cylinder

Set the Seat Base assembly onto the Compression Cylinder. The Cylinder's top post will slide into the receptacle on the bottom of the Seat Base. Press firmly to temporarily attach in place.

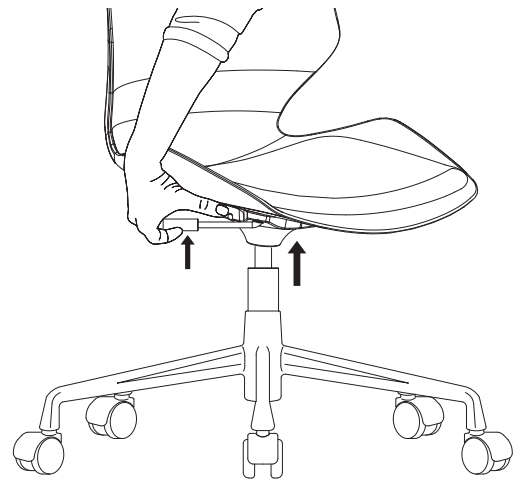
Carefully sit in the Chair the first time to wedge the Seat Base onto the Compression Cylinder. Your weight will attach the Seat assembly to the Base assembly securely.



5 Adjust the Seat Height position

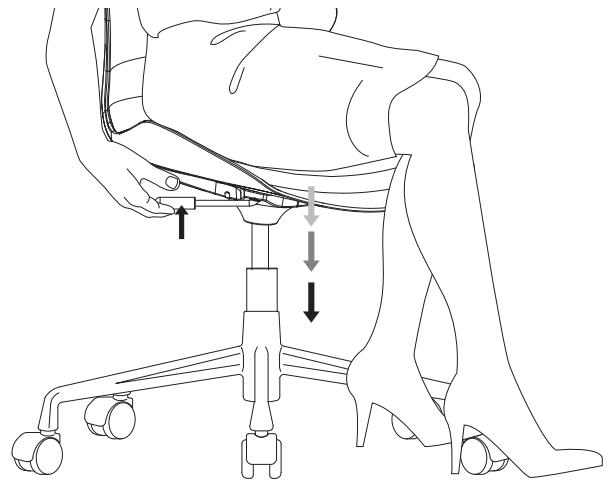
To raise:

Take your weight off the seat, pull the lever upwards, release the lever when the seat is at the desired height



To lower:

Place your weight on the seat, pull the lever upwards, release the lever when the seat is at the desired height.



✓ Consult Workrite Posture Guidelines & Chair Setup Video

Consult the Workrite Guide to Good Posture to set up your chair for optimum ergonomic benefit.

For written instructions, go to: <http://workriteergo.com/good-posture-guide/>

For video instructions, go to: <https://www.youtube.com/watch?v=DZOxIEG3o3o>