

# Model 9199 Installation Instructions

www.LCDarms.com | 800.524.2744

**1** Arm into Flexmount™      Arm into Wall Mount (Model 8325)

**2** A.      B. or C.      D.      D.      D.      D.

**3** E.      E.      E.

**4** F.      G.

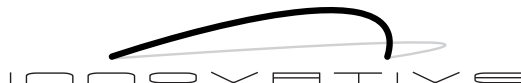
**5** H.

**6** !      H.      +      -

**7** I.

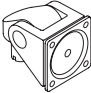
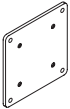
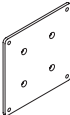
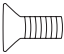
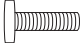
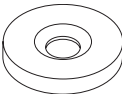
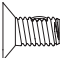



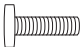


**8** J.      K.      K.      L.      M.

\* Hardware NOT included.



# Model 9199 Parts List

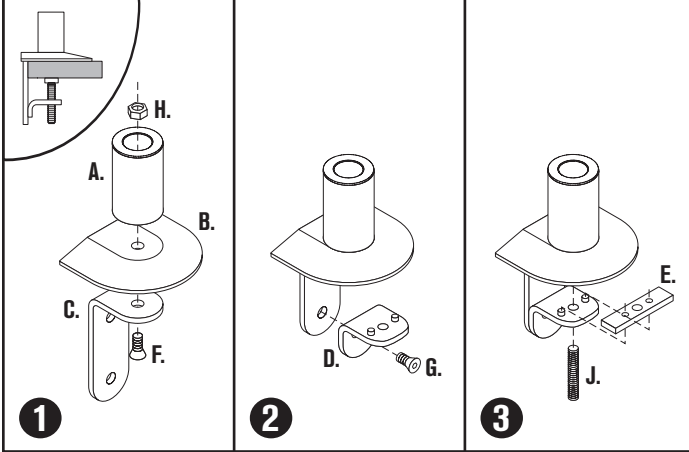
www.LCDarms.com | 800.524.2744

ITEM	DESCRIPTION / PART NO.	QUANTITY
A. 	<b>Monitor Tilter</b> 8336	1
B. 	<b>75mm VESA Adapter Plate</b> 7VESA75	1
C. 	<b>100mm VESA Adapter Plate</b> 7VESA100	1
D. 	<b>10-32 x 3/8" (9.525mm) Phillips Flat Head Screw</b> 702281	1 (4-pack)
E. 	<b>M4-12 Phillips Pan Head Screw</b> 702096	4
F. 	<b>Dog Washer</b> 105189	1
G. 	<b>10-32 x 3/8" (9.525mm) FPHMS with Lock Patch</b> 705198	1
H. 	<b>7/32" (5.563mm) Allen Wrench</b> 701127	1
I. 	<b>3/32" (2.388mm) Allen Wrench</b> 700146	1
J. 	<b>Straight Arm Cap</b> 105305	1
K. 	<b>6-32 x 1" Phillips Pan Head</b> 705764	2
L. 	<b>Endcap Bumper</b> 702829	1
M. 	<b>Cable Cap</b> 102043-19.75-A	1

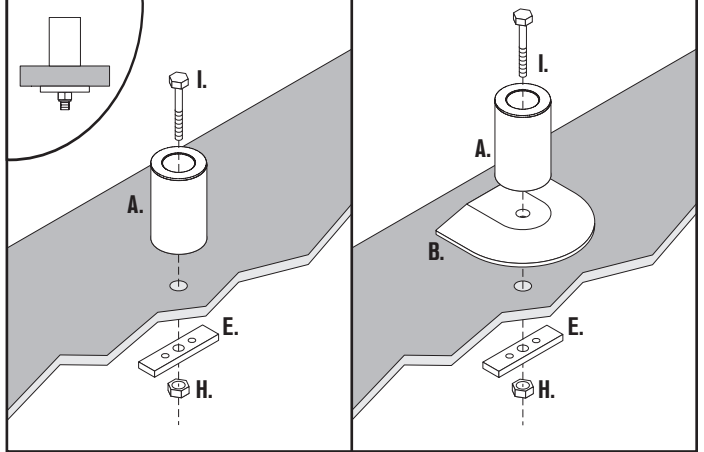
# FLEXmount™ (Model 8318) Installation Instructions

www.LCDarms.com | 800.524.2744

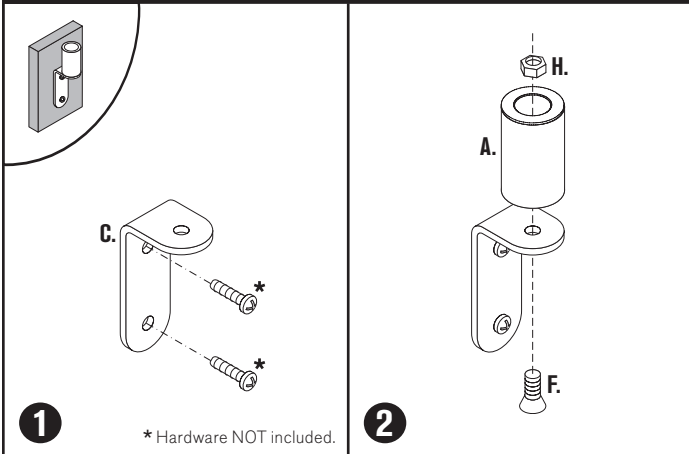
## Desk Clamp



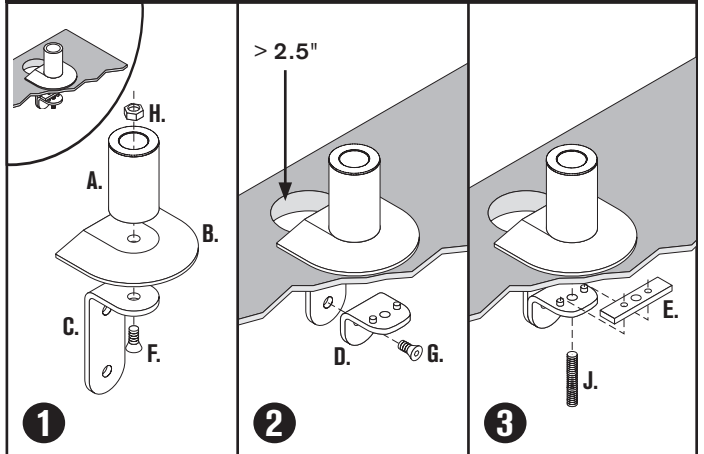
## Thru-Desk



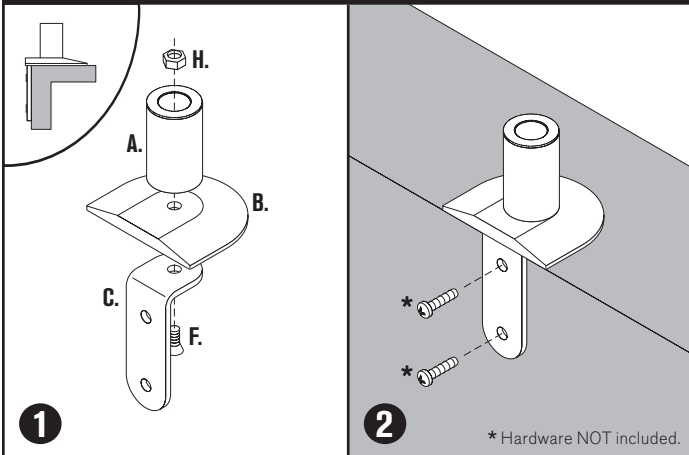
## Reverse Wall Mount



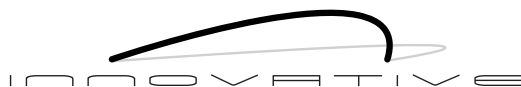
## Grommet Hole



## Side Bolt



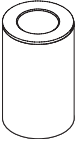
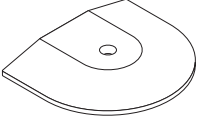
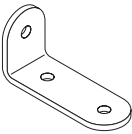
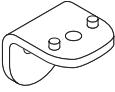
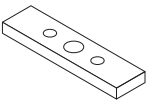
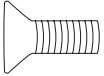
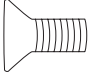
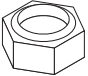
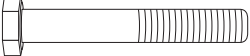
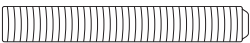
800.524.2744  
www.LCDarms.com



# FLEXmount™ (Model 8318)

## Parts List

www.LCDarms.com | 800.524.2744

ITEM	DESCRIPTION / PART NO.	QUANTITY
A. 	<b>Mount Column</b> 407602	1
B. 	<b>Base Plate</b> 754220	1
C. 	<b>Large "L" Bracket</b> 702828	1
D. 	<b>Small "L" Bracket</b> 701116	1
E. 	<b>3" (76.2mm) x 3/4" (19.05mm) x 1/4" (6.35mm) Rectangular Spacer</b> 701544	1
F. 	<b>3/8-16 x 1-1/4" Flat Socket Cap Screw</b> 701855	1
G. 	<b>3/8-16 x 7/8" (22.225mm) Flat Socket Cap Screw</b> 701799	1
H. 	<b>3/8-16 Nylon Stop Nut</b> 701418	1
I. 	<b>3/8-16 x 2-1/2" (63.5mm) Hex Head Bolt</b> 700268	1
J. 	<b>1/2-13 x 3" (76.2mm) Socket Set Screw</b> 701126	1