

Line of Sight Hang-On CPU Holder Installation Instructions: LOS3-CPUT-M-X-X



Parts Included

A Thin Client, Micro CPU Supports, Left & Right Qty: 2	B Thin Client, Micro CPU Support Plate Qty: 1	C Thin Client, Micro CPU Hangers, Left & Right Qty: 2	D ¼"-20 × ½" Low Profile Bolt Qty: 8	E ¼"-20 Wing Nuts Qty: 8

Required, Sold Separately

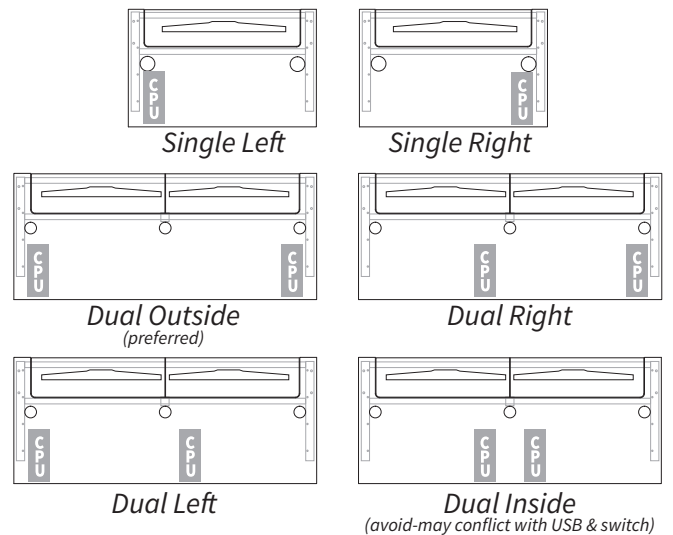
Line of Sight Workcenter

Tools Needed

4 mm Allen Wrench

Note: CPU placement will depend on your over all room configuration, Switch locations, Grommet Power choices and in some instances, cable lengths. Consider all wiring objectives prior to installing CPU Holders.

Single User Workstations can be configured with the CPU on either the left or right side of the Chassis. Dual User Workstations can be configured Left, Right, Inside or Outside.



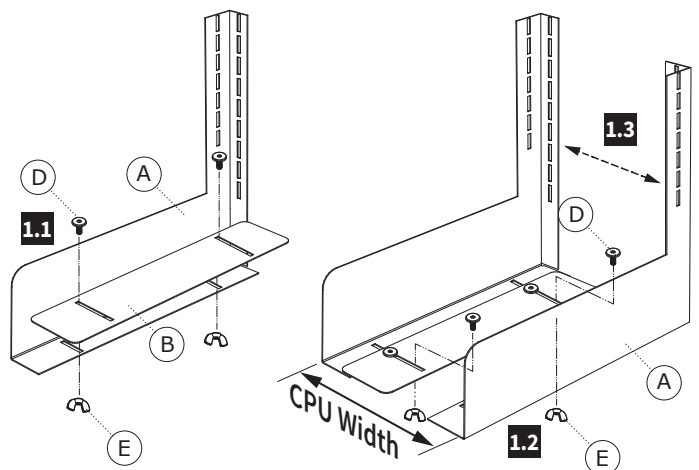
1 Assemble CPU Supports to Support Plate

1.1 Attach the CPU Support Plate (B) to the Left CPU Support (A) with two Low Profile Socket Head Screws (D) and two Wing Nuts (E). Keep assembly loose so you can size to the CPU width in **Step 1.3**.

Note: The Support Plate width will differ, based on the model you ordered for your CPU width.

1.2 Attach Support and Plate assembly to the Right CPU Support. Keep assembly loose so you can size to the CPU width.

1.3 Place CPU in the Holder and adjust the Supports to fit the width of the CPU. Remove the CPU and tighten the Screws securely with a 4 mm Allen Wrench.

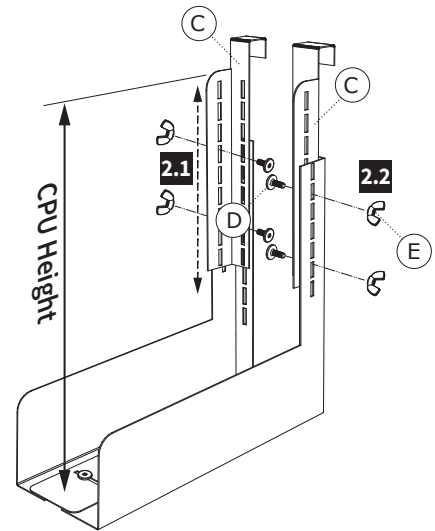


Show with 7-9" wide Support Plate
LOS3-CPUT-M-A-X

Note: Confirm that all Low Profile Socket Head Screws (D) are facing inward and all Wing Nuts (E) are facing outward so the Wing Nuts do not damage your CPU!

2 Attach CPU Hangers to Base Assembly

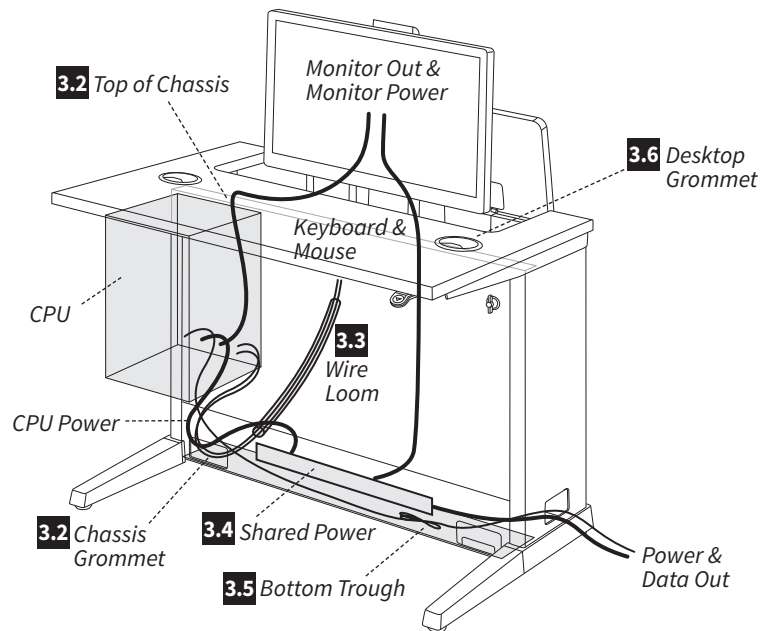
- 2.1 Place CPU in the Holder and adjust the CPU Hangers (C) to fit the height of the CPU.
- 2.2 Attach the Left and Right CPU Hangers (C) to the Support assembly with four Low Profile Socket Head Screws (D) and four Wing Nuts (E) and tighten the screws securely with the 4 mm Allen Wrench.



3 Route Cables– Guidelines

Note: Cabling and mounting of the CPU is a difficult process and unique to each situation. Use these guidelines as a reference, making sure to keep all cabling away from interfering with the Monitor Lift.

- 3.1 Remove the Front and Rear Panel from your Line of Sight Chassis for access to route the cables.
- 3.2 Route cables in the most convenient direction using front Chassis Grommet access for larger CPU's and over the top of the chassis for smaller CPU's.
- 3.3 Use the Wire Loom to route cables from the CPU to the Keyboard Tray for keyboard and mouse.
- 3.4 Route all power to the shared power area which may include installed Power Tracks or Power Bars.
- 3.5 Use the bottom Trough to bundle any excess cabling.
- 3.6 Use the Desktop Grommets to route power and data to the desktop as needed.



4 Hang the CPU holder on Line of Sight Chassis

- 4.1 Place the CPU in the Holder and hang the CPU Holder over the front of the chassis under the Worksurface.
- 4.2 Route all cabling according to the LOS Chassis instructions and equipment manufacturers specifications.
- 4.3 Manage all cabling with P-Loops, Cable Clips, Wire Ties and Wire Loom provided with your Chassis.

