
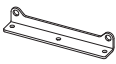
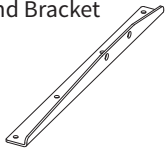
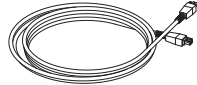
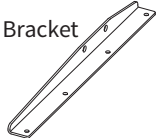
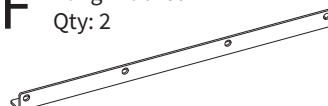
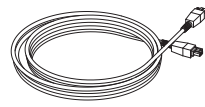
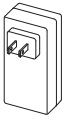


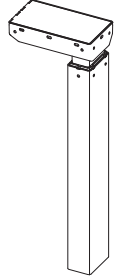
# Assembly & Installation Instructions: Fundamentals 2-Leg Workcenter FDEX54-72-X

## Parts Included, Frame Set

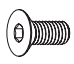
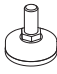





<p><b>A</b> Control Leg Qty: 1</p> 	<p><b>C</b> Short Bracket Qty: 2</p> 	<p><b>E</b> Right End Bracket Qty: 1</p> 	<p><b>N</b> Leg Cable - 2 meter Qty: 1</p> 
	<p><b>D</b> Left End Bracket Qty: 1</p> 	<p><b>F</b> Long Bracket Qty: 2</p> 	<p><b>O</b> Power cord - 3.5 meters Qty: 1</p> 
			<p><b>P</b> Power Supply Qty: 1</p> 

## Companion Leg

**B** Companion Leg  
Qty: 1



## Hardware kit, 4225338 (Silver and White) or 4225339 (Charcoal)

<p><b>G</b> #M6 × 14 mm Flat Head Cap Screw Qty: 20</p> 	<p><b>J</b> Feet Glides Qty: 4</p> 	<p><b>M</b> #8 × 5/8" Pan Head Screw Qty: 7</p> 
<p><b>H</b> 4 mm Allen Wrench Qty: 1</p> 	<p><b>K</b> Cable Spool Qty: 1</p> 	
<p><b>I</b> #12 × 3/4" Pan Head Laminate Top Screw Qty: 26</p> 	<p><b>L</b> Cable Loops Qty: 5</p> 	

## Required & Sold Separately

Foot Kit  
Basic or Programmable Control  
Worksurface

**⚠️ WARNING:** Maximum loading of table assembly is 125 lb. (56.7 kg). Maximum load includes the weight of the table top itself, any equipment placed upon it, and any equipment suspended or hanging under it. Loading should be evenly distributed over table surfaces. “Payload Capacity” is the Workrite Ergonomics recommended maximum loading which includes the Workrite sourced table top.

**Fundamentals 2-leg**

V = 120VAC, 60Hz / 2.5 A maximum

**IMPORTANT SAFETY INSTRUCTIONS:**

When using an electrical furnishing, basic precautions should always be followed, including the following:  
Read all instructions before using this Fundamentals Workcenter.

**DANGER:** To reduce the risk of electric shock, always unplug this Fundamentals Workcenter from the electrical outlet before cleaning.

**⚠️ WARNING:** To reduce the risk of burns, fire, electric shock, or injury to persons:

1. Unplug from outlet before putting on or taking off parts.
2. Close supervision is necessary when this furnishing is used by, or near children, invalids, or disabled persons.
3. Use this furnishing only for its intended use as described in these instructions. Do not use attachments not recommended by the manufacturer.
4. Never operate this furnishing if it has a damaged cord or plug, if it is not working properly, if it has been dropped or damaged, or dropped into water. Return the furnishing to a service center for examination and repair.
5. Keep the cord away from heated surfaces.
6. Do not use outdoors.
7. Do not operate where aerosol (spray) products are being used or where oxygen is being administered.
8. To disconnect, remove plug from outlet.
9. Each surface intended to support an equipment payload capacity of 125 pounds.

**FOR COMMERCIAL USE ONLY**

**SAVE THESE INSTRUCTIONS**



**⚠️ IMPORTANT NOTE!**  
**You must complete initialization (Step 11) at the end of assembly or your workcenter WILL NOT FUNCTION PROPERLY.**

**✓ Verify that you have all the tools needed for the assembly**

You will need the following tools:

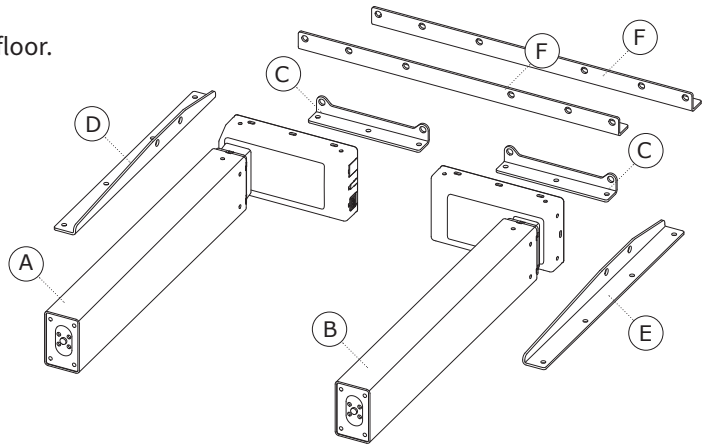
- #2 tip Phillips screwdriver or drill/driver
  - #3 tip Phillips screwdriver or drill/driver
  - M4 tip bit or 4 mm Allen Wrench (H)
- or 

If you do not have a Workrite worksurface, you will also need:

- 1/8" pilot drill bit 
- 3/32" pilot drill bit 

# 1 Lay Out Legs & Brackets

Lay Legs (A and B) and Brackets (C, D, E and F) on the floor.



# 2 Attach Short & Medium Brackets

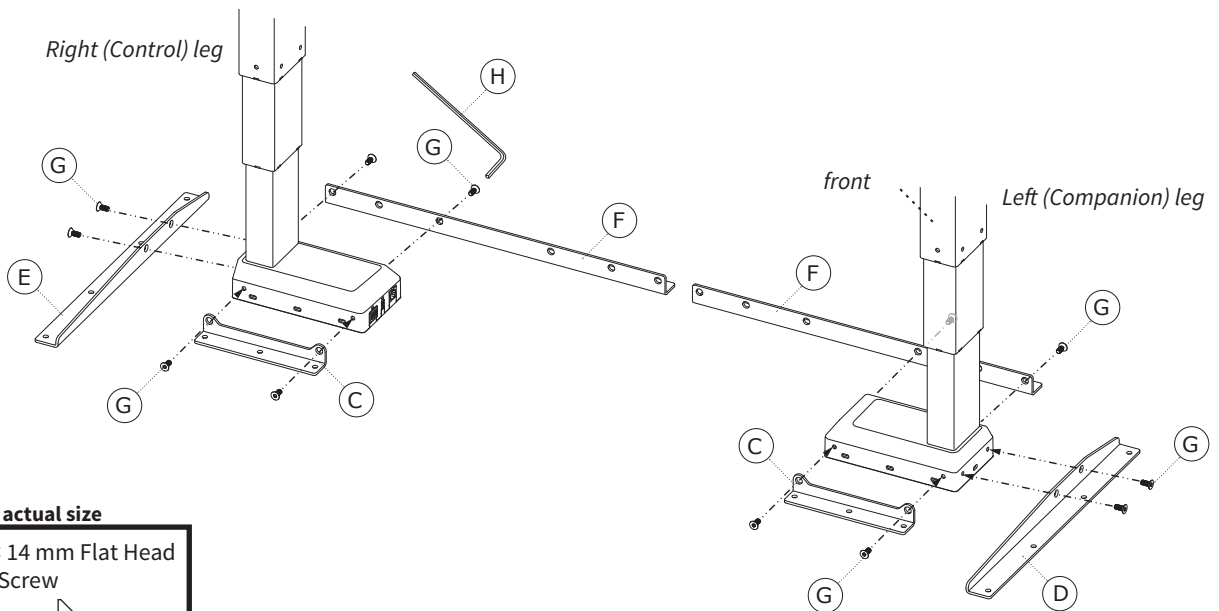
Attach Short Brackets (C) and Long Brackets (F) using Allen Wrench (H) and Flat Cap Screws (J) to both legs. **Do not tighten screws completely.**



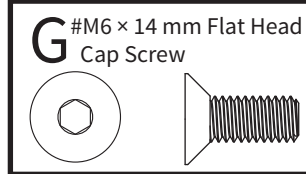
To avoid stripping the threads, always insert and make the first few turns of the screw **BY HAND** with an Allen wrench (H), ensuring it is straight.

Attach Right End Bracket (D) to sides of the right (Control) Leg (F) using Flat Cap Screws (J). Attach Left End Bracket (C) to sides of the left (Companion) Leg (G) using Allen Wrench (H) and Flat Cap Screws (J). **Do not tighten screws completely.**

**Note:** the right leg will be on your left and vice versa when the assembly is seen upside down.



Hardware at actual size



### 3 Attach Base to Pre-Drilled Workrite Worksurface and Tighten Screws

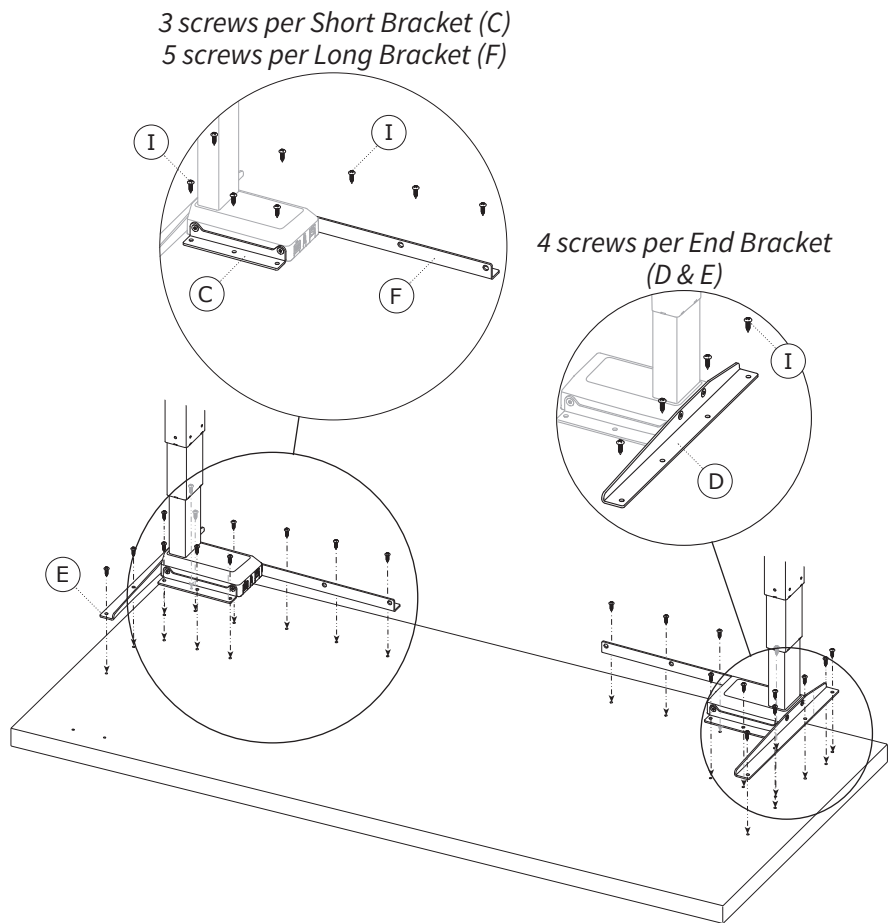
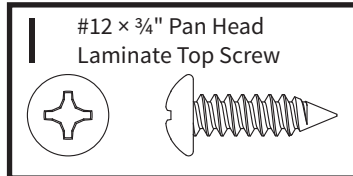
**If you do not have a Workrite pre-drilled worksurface, skip to Step 4:**

Position leg assemblies to align holes in brackets to pre-drilled holes in worksurface then attach loosely using Pan Head Laminate Top Screws (I). If you use an electric screwdriver, be sure it is on the lowest torque setting to avoid stripping the holes in the top.

Tighten all screws connecting brackets to leg assemblies, then tighten all screws attaching brackets to top.

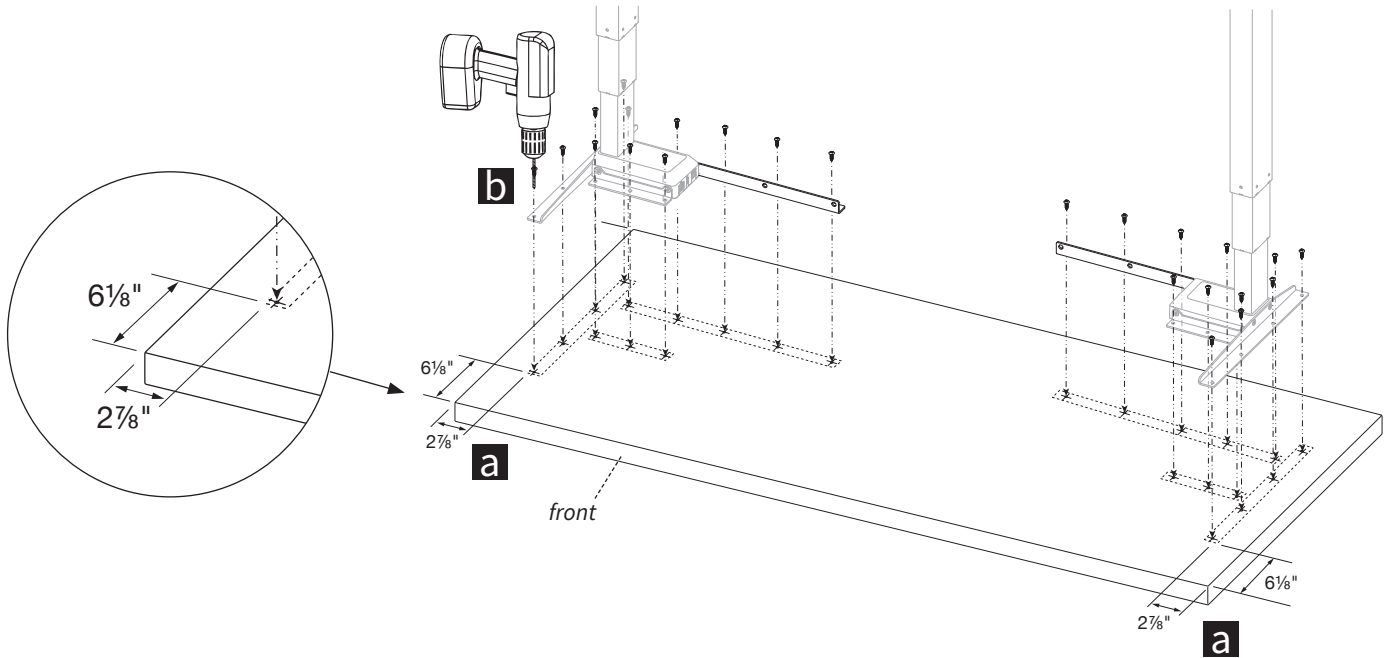
Skip to **Step 5**.

#### Hardware at actual size



## 4 Attach Base to non-Workrite Worksurface and Tighten Screws

- a** Position leg assemblies on bottom side of worksurface using measurements below.
- b** Mark placement of mounting holes, then use  $\frac{1}{8}$ " drill bit to drill pilot holes at marked locations. You may wish to mark your drill bit so you do not drill any more than  $\frac{3}{4}$ " deep and damage your worksurface top.  
**Do not drill all the way through worksurface!**

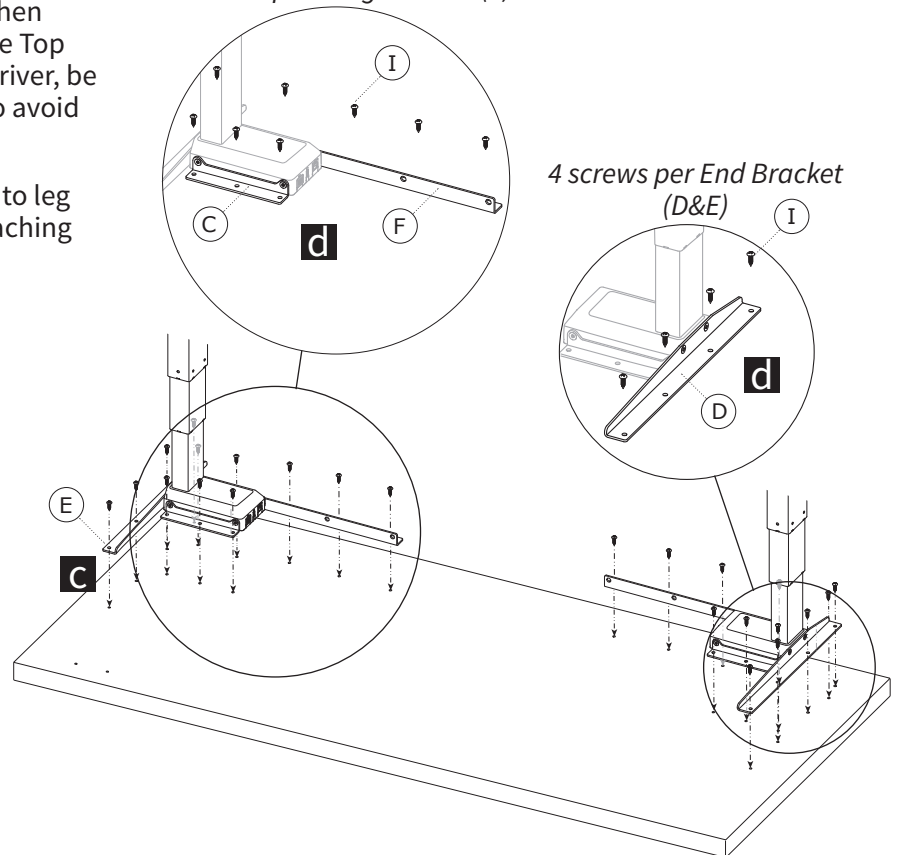
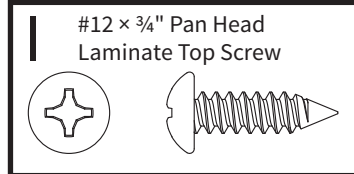


- c** Position leg assemblies to align holes in brackets to pilot holes in worksurface then attach loosely using Pan Head Laminate Top Screws (I). If you use an electric screwdriver, be sure it is on the lowest torque setting to avoid stripping the holes in the top.

3 screws per Short Bracket (C)  
5 screws per Long Bracket (F)

- d** Tighten all screws connecting brackets to leg assemblies, then tighten all screws attaching brackets to top.

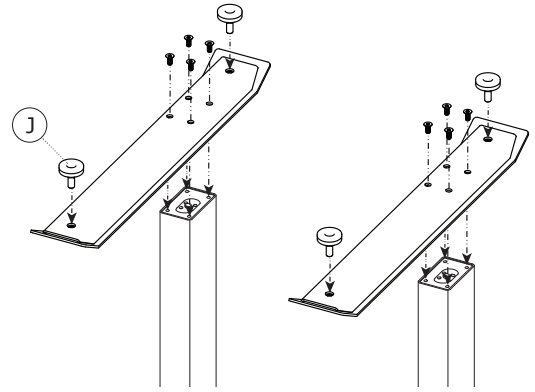
### Hardware at actual size



## 5 Attach Feet (sold separately)

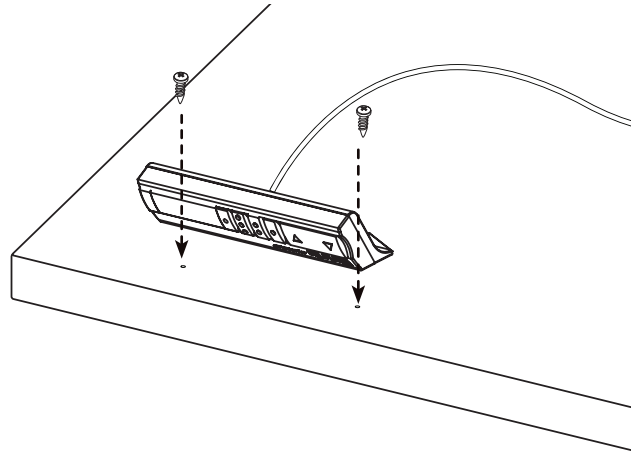
Screw in the four Foot Glides (J).

Refer to foot kit instructions for steps to install your feet.



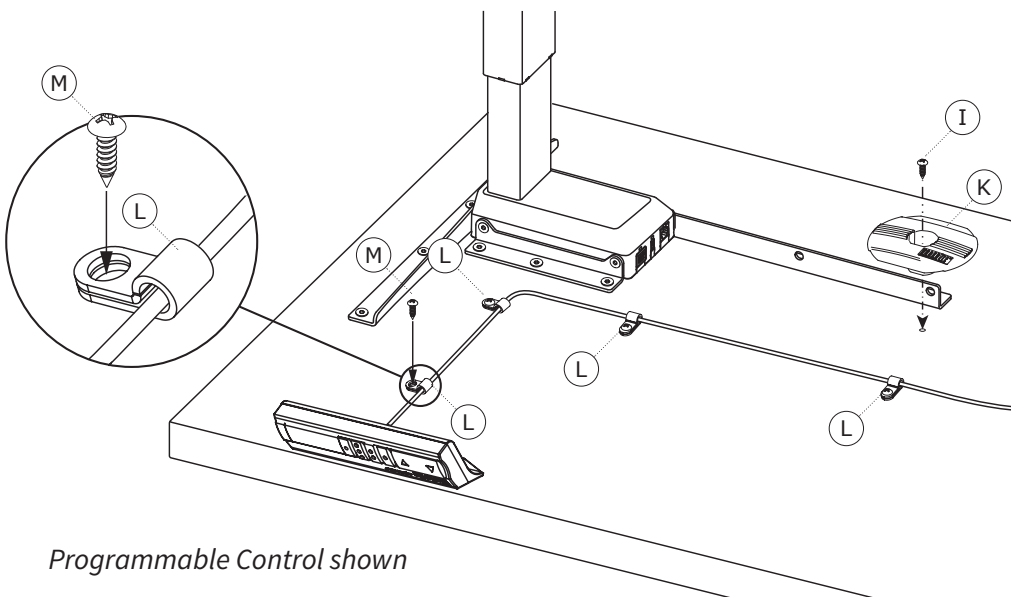
## 6 Attach Control (sold separately)

Refer to control instructions for steps to install your control.



## 7 Attach Cable Spools and Cable Loops

Attach Cable Spool (K) with the #12 × 3/4" Pan Head Laminate Top Screw (I) and Cable Loops (L) to underside of worksurface using #8 × 5/8" Pan Head Screw (M) making sure to wrap the Cable Loop around the cables prior to attaching. If you DO NOT have a Workrite worksurface, mount cable spools in a convenient location between legs and control box.

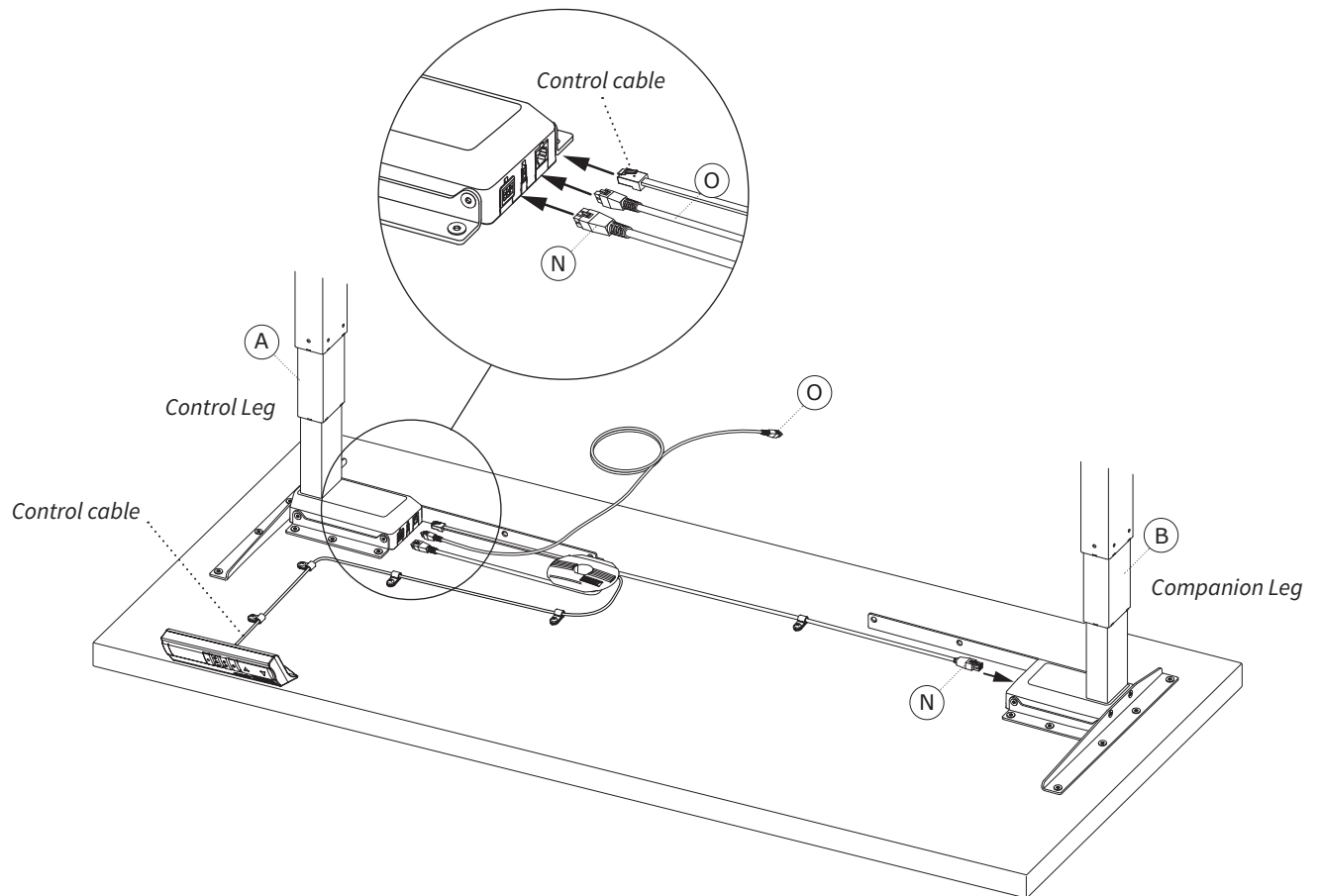


## 8 Connect Leg Cables to Control leg and Companion Leg

Connect the Leg Cable (N) to the six position connector labeled "1" on both the Control Leg and the Companion Leg (G).

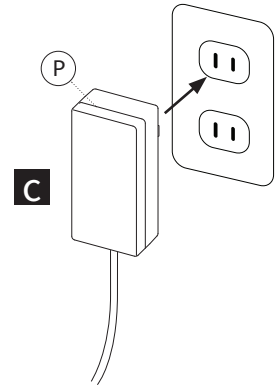
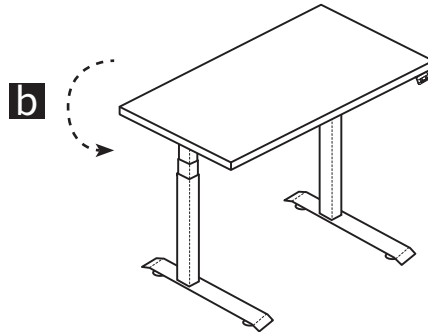
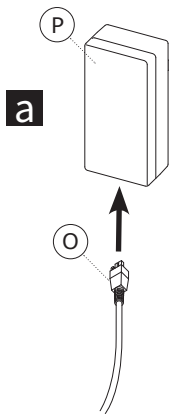
Insert the Power Cord (O) into the two position connector labeled "DC" on the Control Leg.

Insert the control cable into the data connector labeled "A1" on the Control Leg.



## 9 Connect Power Cord to the Power Supply and put workcenter upright

- a Connect the Power Cord (R) to the Power Supply (S).
- b Turn the table over into an upright position.
- c Plug the Power Cord into the power outlet.



## 10 Adjust Feet Guides

If necessary, adjust leveling guides on table feet to level the worksurface. Unscrew to increase height, screw in to decrease height.

## 11 Initialize Legs

After all legs and the control are connected, and the power cord has been plugged in, hold the **down arrow** on the Control until the legs make a short motion down and then back up. This initializes and synchronizes the table legs.



**Hold down the down arrow until table moves slightly upwards**

## ✓ Cleaning instructions

To clean the legs, apply cleaner to a soft cloth.

Suggested cleaners: Windex or Formula 409.

Do not use solvents and do not saturate or spray cleaners directly to table base.