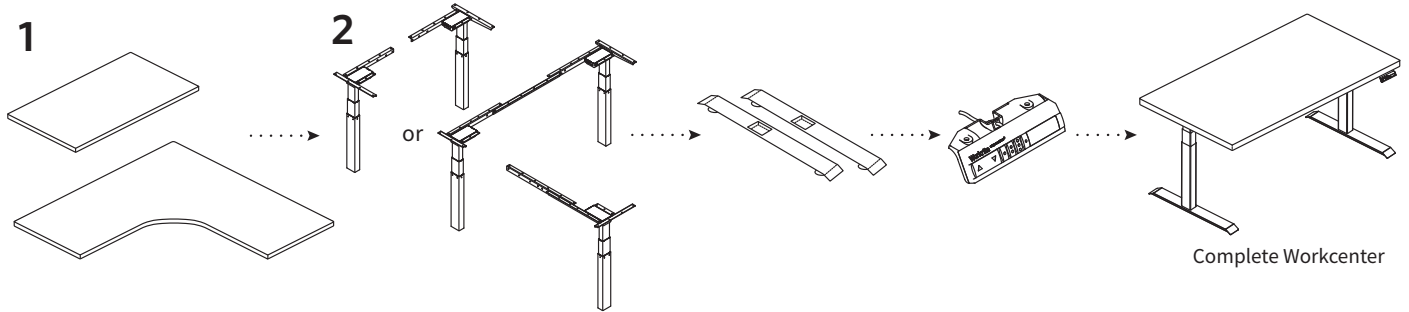




TWO STEPS TO CONFIGURE YOUR FUNDAMENTALS EX ELECTRIC WORKCENTER



1. Select a Worksurface shape, size & laminates.
Choose from 2-leg or 3-leg shapes as well as laminates and edge treatments identified in **Section 1.0**.

2. Select the Frame Set.
Choose the frameset using the Pairing Guide below. Find the Base Sets which include feet and switch in the following pages of **Section 1.4**.

Flat Foot included.

Programmable Control included.
Configured with the Programmable Control with three programmable memory pre-sets.

Worksurface/Frame Set Pairing Guide

Pair your Worksurface with the appropriate Base Set using this chart.

2-Leg Shapes		
Size	Worksurface	Frame Set
24" Deep Rectangles		
36 x 24	T3423-B3	FDEX30-48
42 x 24	T4023-B3	FDEX30-48
48 x 24	T4623-B3	FDEX30-48
54 x 24	T5223-B3	FDEX54-72
60 x 24	T5823-B3	FDEX54-72
66 x 24	T6423-B3	FDEX54-72
72 x 24	T7023-B3	FDEX54-72
30" Deep Rectangles		
36 x 30	T3429-B3	FDEX30-48
42 x 30	T4029-B3	FDEX30-48
48 x 30	T4629-B3	FDEX30-48
54 x 30	T5229-B3	FDEX54-72
60 x 30	T5829-B3	FDEX54-72
66 x 30	T6429-B3	FDEX54-72
72 x 30	T7029-B3	FDEX54-72
Small Equal Corner		
42 x 42 x 24	T404023-B3	FDEX30-48
48 x 48 x 24	T464623-B3	FDEX30-48
48 x 48 x 30	T464629-B3	FDEX30-48
120 Degree Corner		
36 x 36 x 24	T343423T-B3	FDEX30-48
42 x 42 x 24	T404023T-B3	FDEX30-48
48 x 48 x 24	T464623T-B3	FDEX54-72
36 x 36 x 30	T343429T-B3	FDEX30-48
42 x 42 x 30	T404029T-B3	FDEX30-48
48 x 48 x 30	T464629T-B3	FDEX54-72

3-Leg Shapes		
Size	Worksurface	Frame Set
Large Equal Corners		
60 x 60 x 24	T585823-B3	FDEX5472-4272EOC
66 x 66 x 24	T646423-B3	FDEX5472-4272EOC
72 x 72 x 24	T707023-B3	FDEX5472-4272EOC
60 x 60 x 30	T585829-B3	FDEX5472-4272EOC
66 x 66 x 30	T646429-B3	FDEX5472-4272EOC
72 x 72 x 30	T707029-B3	FDEX5472-4272EOC
Large Offset Corners, Left		
60 x 48 x 24	T584623-B3	FDEX5472-4272EOC
72 x 48 x 24	T704623-B3	FDEX5472-4248EOC
72 x 60 x 24	T705823-B3	FDEX5472-4248EOC
60 x 48 x 30	T584629-B3	FDEX5472-4248EOC
72 x 48 x 30	T704629-B3	FDEX5472-4248EOC
72 x 60 x 30	T705829-B3	FDEX5472-4248EOC
Large Offset Corners, Right		
48 x 60 x 24	T465823-B3	FDEX5472-4248EOC
48 x 72 x 24	T467023-B3	FDEX5472-4248EOC
60 x 72 x 24	T587023-B3	FDEX5472-4248EOC
48 x 60 x 30	T465829-B3	FDEX5472-4248EOC
48 x 72 x 30	T467029-B3	FDEX5472-4248EOC
60 x 72 x 30	T587029-B3	FDEX5472-4248EOC

Foot Kit	Control
Flat	Programmable
24" Deep F24	PS
30" Deep F30	

3-Leg Base Set part numbers consist of:
 Model & Width Range Foot Kit Switch Color
FDEX5472-4248EOC-F30-PS-W

The example given is for a Fundamentals EX frame that is 54" to 72" wide on one side and 42" to 48" on the other, has a 30" Flat Foot Kit for a 30" worksurface depth, a Programmable Switch, and the frameset color is White.

Note: Workrite Worksurface part numbers are listed above. If you are using a non-Workrite Top, consult the Laminated Worksurfaces Sizing Chart in the Worksurfaces **Section 1.1**.