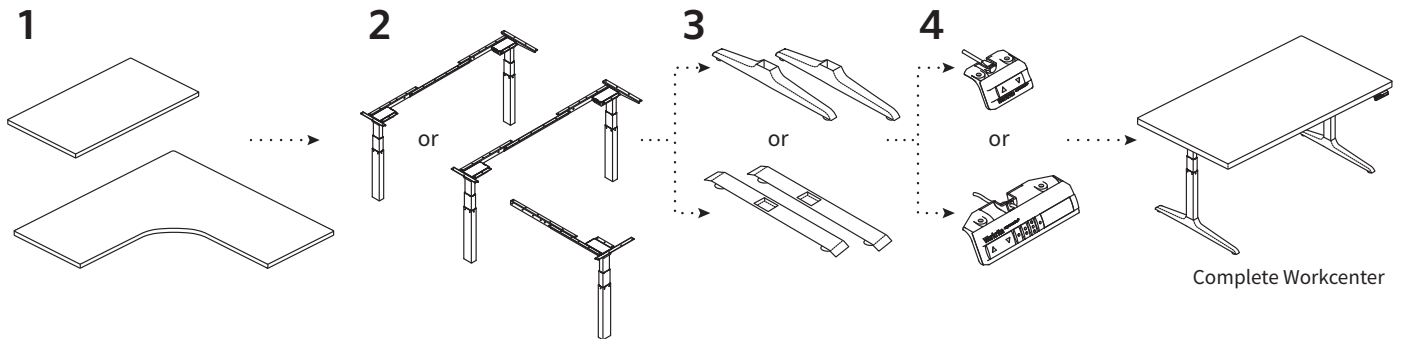




FOUR STEPS TO CONFIGURE YOUR SIERRA HX ELECTRIC WORKCENTER



1. Select a Worksurface shape, size & laminates.
Choose from 2-leg or 3-leg shapes as well as laminates and edge treatments identified in **Section 1.0**.

2. Select the Frame Set.
Choose the Frame Set using the Pairing Guide below. Find the Base Sets (which includes feet and switch) in the following pages of **Section 1.2**.

3. Select the Foot style.
Select either the Styled Foot Kit or Flat Foot Kit size based on worksurface depth and style choice.

4. Select the Control.
Choose a Standard Control for simple up/down control or a Programmable Control for more advanced options.

Worksurface/Frame Set Pairing Guide

Pair your Worksurface with the appropriate Base Set using this chart.

2-Leg Shapes		
Size	Worksurface	Frame Set
24" Deep Rectangles		
36 × 24	T3423-B3	SEHX30-48
42 × 24	T4023-B3	SEHX30-48
48 × 24	T4623-B3	SEHX30-48
54 × 24	T5223-B3	SEHX54-72
60 × 24	T5823-B3	SEHX54-72
66 × 24	T6423-B3	SEHX54-72
72 × 24	T7023-B3	SEHX54-72
30" Deep Rectangles		
36 × 30	T3429-B3	SEHX30-48
42 × 30	T4029-B3	SEHX30-48
48 × 30	T4629-B3	SEHX30-48
54 × 30	T5229-B3	SEHX54-72
60 × 30	T5829-B3	SEHX54-72
66 × 30	T6429-B3	SEHX54-72
72 × 30	T7029-B3	SEHX54-72
90 × 30	T8829-B3	SEHX78-90
Small Equal Corner		
42 × 42 × 24	T404023-B3	SEHX30-48
48 × 48 × 24	T464623-B3	SEHX30-48
48 × 48 × 30	T464629-B3	SEHX30-48
Large Offset Corner Left		
42 × 42 × 24	T404023-B3	SEHX54-72
48 × 48 × 24	T464623-B3	SEHX54-72
48 × 48 × 30	T464629-B3	SEHX54-72
42 × 42 × 24	T404023-B3	SEHX54-72
48 × 48 × 24	T464623-B3	SEHX54-72
48 × 48 × 30	T464629-B3	SEHX54-72
Large Offset Corner Right		
36 × 60 × 24	T345823-B3	SEHX54-72
42 × 58 × 24	T405823-B3	SEHX54-72
36 × 72 × 24	T347023-B3	SEHX54-72
42 × 72 × 24	T407023-B3	SEHX54-72
42 × 60 × 30	T405829-B3	SEHX54-72
42 × 72 × 30	T407029-B3	SEHX54-72
120 Degree Corner		
36 × 36 × 24	T343423T-B3	SEHX30-48
42 × 42 × 24	T404023T-B3	SEHX30-48
48 × 48 × 24	T464623T-B3	SEHX54-72
36 × 36 × 30	T343429T-B3	SEHX30-48
42 × 42 × 30	T404029T-B3	SEHX30-48
48 × 48 × 30	T464629T-B3	SEHX54-72

3-Leg Shapes		
Size	Worksurface	Frame Set
Large Equal Corners		
60 × 60 × 24	T585823-B3	SEHX5472-4272EOC
66 × 66 × 24	T646423-B3	SEHX5472-4272EOC
72 × 72 × 24	T707023-B3	SEHX5472-4272EOC
60 × 60 × 30	T585829-B3	SEHX5472-4272EOC
66 × 66 × 30	T646429-B3	SEHX5472-4272EOC
72 × 72 × 30	T707029-B3	SEHX5472-4272EOC
Large Offset Corners, Left		
60 × 48 × 24	T584623-B3	SEHX5472-4272EOC
72 × 48 × 24	T704623-B3	SEHX5472-4272EOC
72 × 60 × 24	T705823-B3	SEHX5472-4272EOC
84 × 48 × 24	T824623-B3	SEHX7890-4272OC
60 × 48 × 30	T584629-B3	SEHX5472-4272EOC
72 × 48 × 30	T704629-B3	SEHX5472-4272EOC
72 × 60 × 30	T705829-B3	SEHX5472-4272EOC
84 × 48 × 30	T824629-B3	SEHX7890-4272OC
90 × 72 × 30	T887029-B3	SEHX7890-4272OC
Large Offset Corners, Right		
48 × 60 × 24	T465823-B3	SEHX5472-4272EOC
48 × 72 × 24	T467023-B3	SEHX5472-4272EOC
60 × 72 × 24	T587023-B3	SEHX5472-4272EOC
48 × 84 × 24	T468223-B3	SEHX7890-4272OC
48 × 60 × 30	T465829-B3	SEHX5472-4272EOC
48 × 72 × 30	T467029-B3	SEHX5472-4272EOC
60 × 72 × 30	T587029-B3	SEHX5472-4272EOC
48 × 84 × 30	T468229-B3	SEHX7890-4272OC
72 × 90 × 30	T708829-B3	SEHX7890-4272OC

Foot Kit	
Styled	Flat
24" Deep	
S24	or F24
30" Deep	
S30	or F30
24/30" Deep	
S2430	or F2430

Control	
Programmable	Standard
PS	or SS

3-Leg Base Set part numbers consist of: Model & Width Range | Foot Kit | Switch | Color

SEHX5472-4272EOC-S30-PS-S

The example given is for a Sierra HX frame that is 54" to 72" wide on one side and 42" to 72" on the other, has a 30" Styled Foot Kit for a 30" worksurface depth, a Programmable Switch, and the frameset color is Silver.

Note: Workrite Worksurface part numbers are listed above. If you are using a non-Workrite Top, consult the Laminated Worksurfaces Sizing Chart in the Worksurfaces **Section 1.1**.