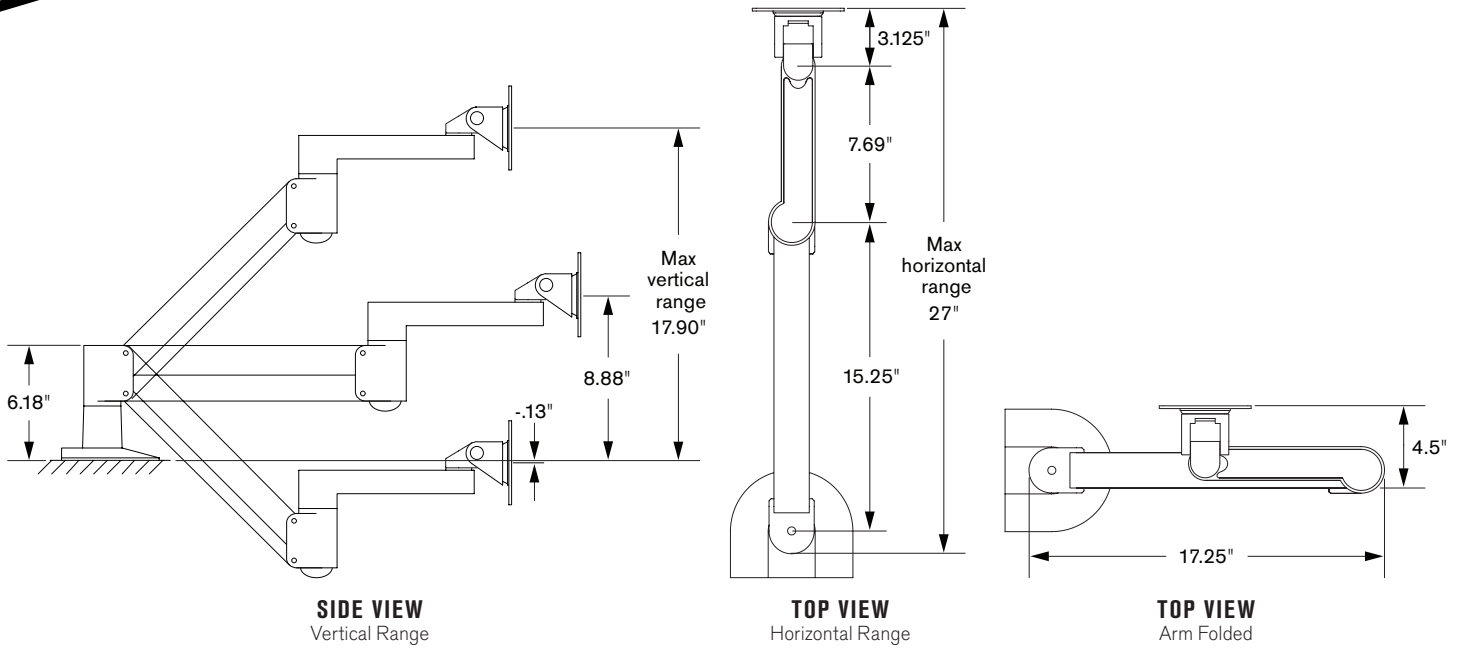


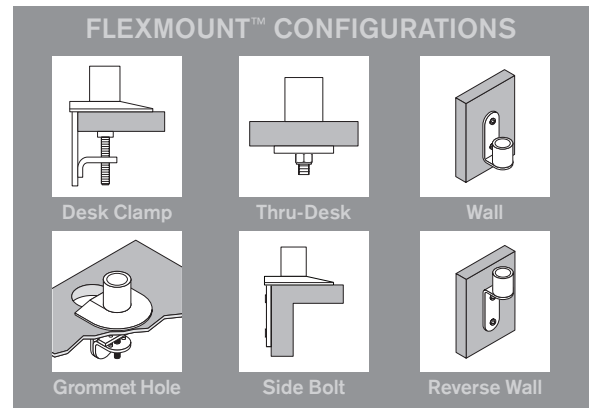
# Model 7500

## Specifications



### CAPABILITIES

<b>Vertical range</b> .....	18" (+/- 9" from horizontal)
<b>Horizontal range</b> .....	27"
<b>Rotation</b> .....	360 degrees at three joints
<b>Monitor tilt</b> .....	200 degrees
<b>Monitor pivot</b> .....	Landscape to portrait
<b>Monitor compatibility</b> .....	VESA® 75mm and 100mm
<b>Cable management</b> .....	Cables are concealed in arm
<b>Mounting options</b> .....	FLEXmount™, Slatwall, Wall, Thru-Desk
<b>Monitor weight/model number</b> .....	2 - 13 lbs / 7500-500 6 - 21 lbs / 7500-800 8 - 27 lbs / 7500-1000 13.5 - 44 lbs / 7500-1500



### OPTIONAL ACCESSORIES

<p><b>QUICK RELEASE ADAPTERS</b> Allows for quick attach and release of monitor (8336-QR).</p>	<p><b>MOUNTS</b> Wall (8325), slatwall (8246) and thru-desk (8312).</p>	<p><b>EXTENDER TUBES</b> Raise the height of your arm. 2" (8171-75-2) and 6" (8171-75-6) extensions available.</p>	<p><b>HANDLE SET</b> Provides convenient handles to reposition monitor (8291).</p>

This product is protected by one or more of the following U.S. Patent Nos. and other United States and foreign patents applied for: 119,345, 119,346, 1,324,842, 2,470,525, 6,076,785, 6,273,383, 6,409,134, 6,478,274, 6,499,704, 6,505,988, 6,609,691, 6,191,606, 6,719,253, 6,726,167, 6,736,364, 6,783,105, 6,854,698, 6,915,994, 6,935,883, 6,955,328, 6,983,917, 6,986,489, 7,014,157, 7,017,874, 7,048,242, 7,059,574, 7,063,296, 7,066,433, 7,066,435, 7,389,965, D435,852, D491,952, D492,893, D570,853, D575,293.