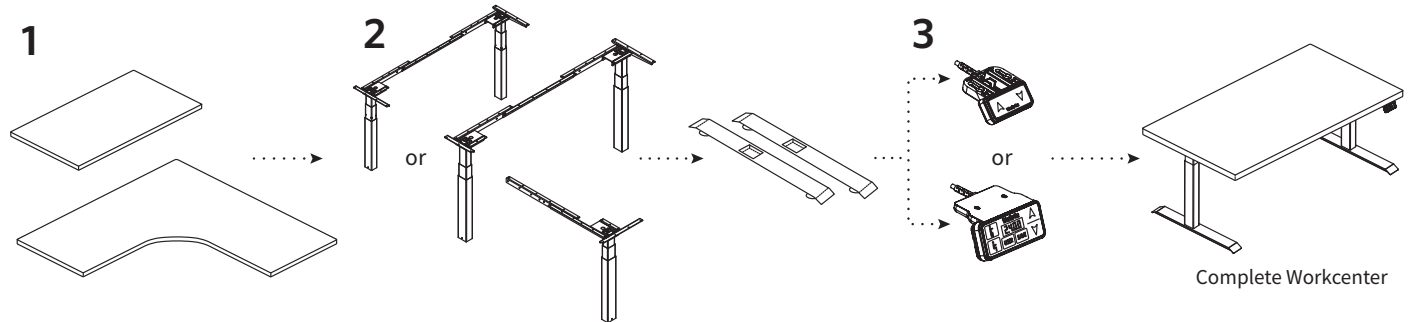




### THREE STEPS TO CONFIGURE YOUR ESSENTIA ELECTRIC WORKCENTER



**1. Select a Worksurface shape, size & laminates.**  
Choose from 2-leg or 3-leg shapes as well as laminates and edge treatments identified in **Section 1.0**.

**2. Select the Frame Set.**  
Choose the frameset using the Pairing Guide below. Find the Base Sets which include feet and switch in the following pages of **Section 1.3**.

**Flat Foot included.**

**3. Select the Control.**  
Choose a Standard Control for simple up/down control or a Programmable Control for more advanced options.

#### Worksurface/Frame Set Pairing Guide

Mate your Worksurface with the appropriate Base Set using this chart.

2-Leg Shapes		
Size	Worksurface	Frame Set
<b>24" Deep Rectangles</b>		
36×24	T3423-B3	ES3E30-48
42×24	T4023-B3	ES3E30-48
48×24	T4623-B3	ES3E30-48
54×24	T5223-B3	ES3E54-72
60×24	T5823-B3	ES3E54-72
66×24	T6423-B3	ES3E54-72
72×24	T7023-B3	ES3E54-72
<b>30" Deep Rectangles</b>		
36×30	T3429-B3	ES3E30-48
42×30	T4029-B3	ES3E30-48
48×30	T4629-B3	ES3E30-48
54×30	T5229-B3	ES3E54-72
60×30	T5829-B3	ES3E54-72
66×30	T6429-B3	ES3E54-72
72×30	T7029-B3	ES3E54-72
90×30	T8829-B3	ES3E78-90
<b>Small Equal Corner</b>		
42×42×24	T404023-B3	ES3E30-48
48×48×24	T464623-B3	ES3E30-48
48×48×30	T464629-B3	ES3E30-48
<b>Large Offset Corner Left</b>		
42×42×24	T404023-B3	ES3E54-72
48×48×24	T464623-B3	ES3E54-72
48×48×30	T464629-B3	ES3E54-72
42×42×24	T404023-B3	ES3E54-72
48×48×24	T464623-B3	ES3E54-72
48×48×30	T464629-B3	ES3E54-72
<b>Large Offset Corner Right</b>		
36×60×24	T345823-B3	ES3E54-72
42×58×24	T405823-B3	ES3E54-72
36×72×24	T347023-B3	ES3E54-72
42×72×24	T407023-B3	ES3E54-72
42×60×30	T405829-B3	ES3E54-72
42×72×30	T407029-B3	ES3E54-72
<b>120 Degree Corner</b>		
36×36×24	T343423T-B3	ES3E30-48
42×42×24	T404023T-B3	ES3E30-48
48×48×24	T464623T-B3	ES3E54-72
36×36×30	T343429T-B3	ES3E54-72
42×42×30	T404029T-B3	ES3E54-72
48×48×30	T464629T-B3	ES3E54-72

3-Leg Shapes		
Size	Worksurface	Frame Set
<b>Large Equal Corners</b>		
60×60×24	T585823-B3	ES3E5472EOC
66×66×24	T646423-B3	ES3E5472EOC
72×72×24	T707023-B3	ES3E5472EOC
60×60×30	T585829-B3	ES3E5472EOC
66×66×30	T646429-B3	ES3E5472EOC
72×72×30	T707029-B3	ES3E5472EOC
<b>Large Offset Corners, Left</b>		
60×48×24	T584623-B3	ES3E5472-4272EOC
72×48×24	T704623-B3	ES3E5472-4272EOC
72×60×24	T705823-B3	ES3E5472-4272EOC
84×48×24	T824623-B3	ES3E7890-4272OC
60×48×30	T584629-B3	ES3E5472-4272EOC
72×48×30	T704629-B3	ES3E5472-4272EOC
72×60×30	T705829-B3	ES3E5472-4272EOC
84×48×30	T824629-B3	ES3E7890-4272OC
90×72×30	T887029-B3	ES3E7890-4272OC
<b>Large Offset Corners, Right</b>		
48×60×24	T465823-B3	ES3E5472-4272EOC
48×72×24	T467023-B3	ES3E5472-4272EOC
60×72×24	T587023-B3	ES3E5472-4272EOC
48×84×24	T468223-B3	ES3E7890-4272OC
48×60×30	T465829-B3	ES3E5472-4272EOC
48×72×30	T467029-B3	ES3E5472-4272EOC
60×72×30	T587029-B3	ES3E5472-4272EOC
48×84×30	T468229-B3	ES3E7890-4272OC
72×90×30	T708829-B3	ES3E7890-4272OC

Foot Kit
Flat
24" Deep
F24
30" Deep
F30

Controls		
Programmable	Basic	
PS	or	BS

3-Leg Base Set part numbers consist of:  
 Model & Width Range      Foot Kit      Switch      Color  
**ES3E5472-4272EOC-F30-PS-C**

The example given is for a Essentia frame that is 54" to 72" wide on one side and 42" to 72" on the other, has a 30" Flat Foot Kit for a 30" worksurface depth, a Programmable Switch, and the frameset color is Charcoal.

**Note:** Workrite Worksurface part numbers are listed above. If you are using a non-Workrite Top, consult the Laminated Worksurfaces Sizing Chart in the Worksurfaces **Section 1.1**.