



EVO®

Introducing the new EVO®

Meet the second generation of the award-winning EVO® LCD Arm... redesigned for a new decade, and reengineered for superior performance.

The evolution continues...





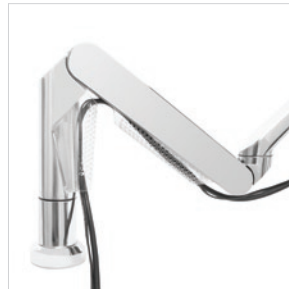
Effortless motion and adjustment courtesy of revolutionary spring-powered Better Balance™ technology.



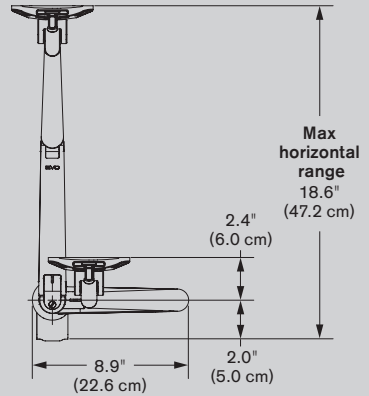
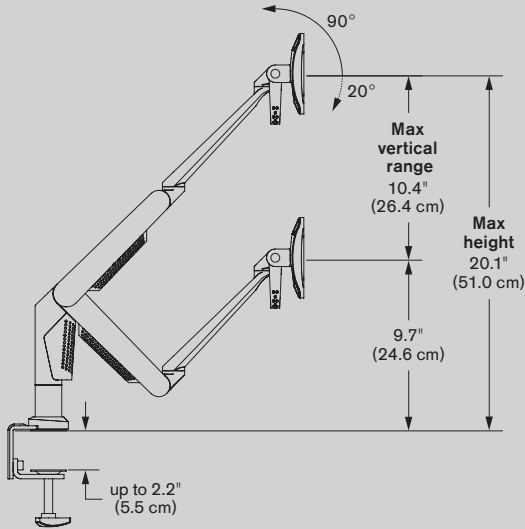
Reduced installation time:
a. Quick-install VESA® adapter
b. Desk mount with integrated handle



Environmentally-friendly manufacturing methods, and extensive use of recycled and recyclable components.



Integrated cable management keeps the desk organized.



EVO® 5700-DC CAPABILITIES

Vertical range	+/- 5.2" (13.2 cm) from horizontal
Horizontal range	18.6" (47.2 cm)
Rotation	360° at three joints
Monitor tilt	90° up, 20° down from center
Monitor pivot	Landscape to portrait
Monitor compatibility	VESA® 75mm and 100mm
Cable management	Cables are clipped beneath arm
Mounting options	Desk Edge, Grommet, Through-Desk
Monitor weight <i>(at standard monitor depths)</i>	6 - 20 lbs (2.7 - 9.0 kg)





www.LCDarms.com/evo



Headquarters:

Innovative Office Products

100 Kuebler Road
Easton, PA 18040
United States

tel 800.524.2744
fax 610.253.9521
www.LCDarms.com

Innovative South America Ltda.

Ceisa Center, Bloco B, Sala 603
Florianópolis, Santa Catarina
Brazil

tel +55 (48) 3028.4464
www.LCDarms.com.br

Innovative Europe ApS

Center Boulevard 5
Copenhagen, 2300
Denmark

tel +45 469.490.79
fax +45 469.490.89
www.LCDarms.eu