

# FREEDOM ARM<sup>®</sup> HD

## Stylish & Functional Articulating Monitor Arm



*The Freedom Arm<sup>®</sup> HD easily mounts to any standard desk, creating a clutter-free workspace.*

*This stylish and functional articulating monitor arm is simple to assemble and allows the user to utilize their entire workspace with 360-degree rotation, 190-degree panning, a tilt up of 90 degrees, and a tilt down of 45 degrees. Including an integrated cable management system and three mounting positions, the Freedom Arm<sup>®</sup> HD gives you the ability to fully customize your monitor placement while barely moving a muscle.*

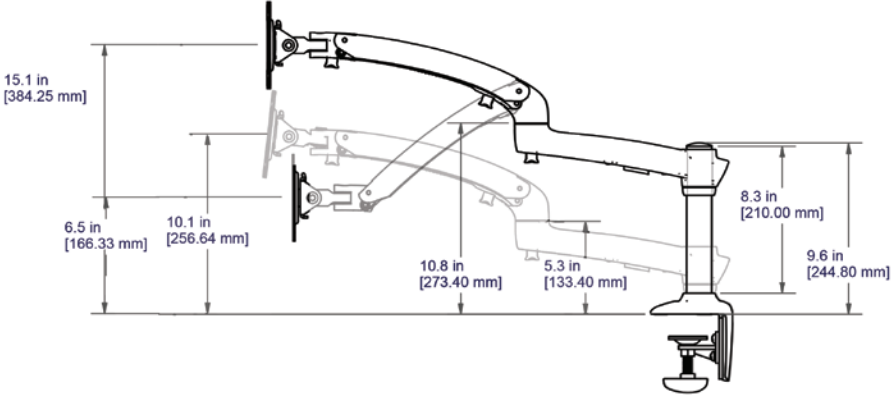


- Product Includes: Aluminum articulating arm, 8" pole desk clamp base
- Offers 14" of dynamic one-touch height adjustment
- Full extension range of 23.4"
- Monitor Weight Capacity:
  - Minimum: 20lbs
  - Maximum: 30.8lbs
- Monitor Size: Up to 27"
- VESA Compatibility: 75X75 and 100X100
- Tilt: UP 90°, Down 45°
- Pan: 180°
- Rotation: 360°
- Available Upgrade: Grommet Mount
- Colors: Silver
- Part Code #'s:
  - FDM-HD-S01

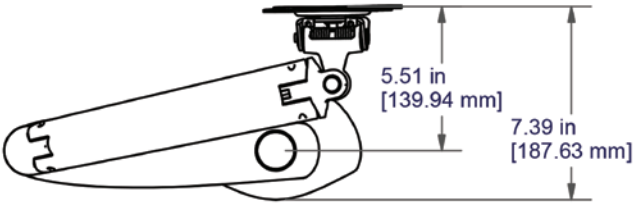


# FREEDOM ARM® HD DIMENSIONS

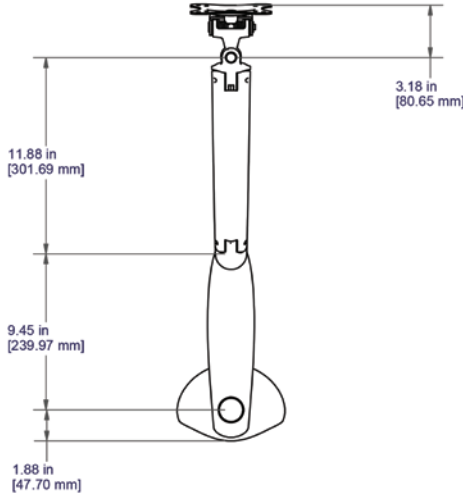
**SIDE VIEW**  
Vertical Range



**TOP VIEW**  
Arm Folded



**TOP VIEW**  
Horizontal Range



## ACCESSORIES



Freedom Thin Client Mount  
FDM-TCM-B