

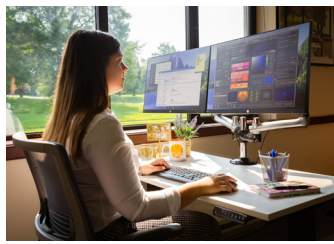
# FREEDOM ARM<sup>®</sup> DUAL

## Stylish & Functional Articulating Monitor Arm

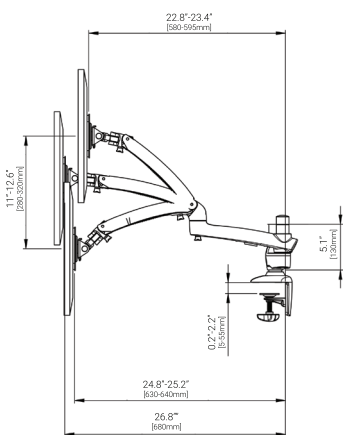


The Freedom Arm<sup>®</sup> Dual easily mounts to any standard desk, creating a clutter-free workspace and giving you the ability to fully customize your monitor placement with the touch of your finger.

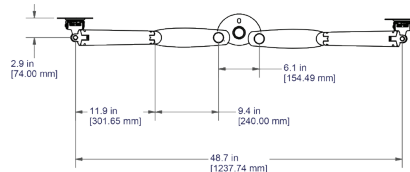
*Research proves that dual monitors configurations increase productivity and accuracy among workers. Stop taking the time to switch between windows and increase your viewing space with the Freedom Arm<sup>®</sup> dual and work more efficiently.*



**SIDE VIEW**  
Vertical Range



**TOP VIEW**  
Horizontal Range



- TAA Compliant
- Product Includes: (2) Aluminum articulating arms, 8" pole, dual yoke and a desk clamp base
- Offers 14" of dynamic one-touch height adjustment
- Full extension range of 23.4"
- Monitor Weight Capacity per monitor:
  - Minimum: 8.4lbs
  - Maximum: 17.8lbs
- Monitor Size: Up to 27"
- VESA Compatibility: 75X75 and 100X100
- Tilt: UP 90°, Down 45°
- Pan: 180°
- Rotation: Approximately 300°
- Available Upgrade: Grommet Mount (FDM-GROM-B)
- Colors: Metal Gray, Silver
- Part Code #s:
  - FDM-PC-S02
  - FDM-PC-G02