

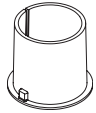
## CAUTION

Mechanism can rise quickly with no equipment in place. User equipment must be properly installed, prior to height adjustment. Failure to do so may result in personal injury and/or property damage.

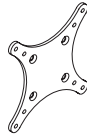
# Dual Ella

## Parts List

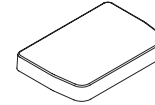
A Ella Mount Bushing 1x  
114022



F 75/100mm VESA Adapter 2x  
105587



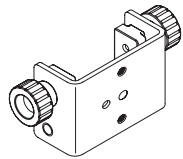
K Column Cap 1x  
113984



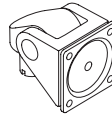
P 1/8" Allen Wrench 1x  
701312



B Ella Tilter Channel 1x  
414249



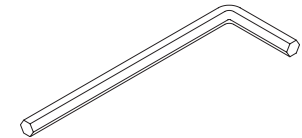
G Standard Monitor Tilter 2x  
405397



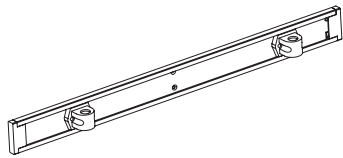
L Forearm Cover 1x  
114007



Q 8mm Allen Wrench 1x  
714317



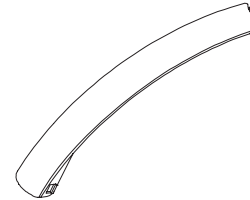
C Horizontal Beam 1x  
414818



H M4 x 12mm PhPHS (4-pack) 2x  
702096



M Lower Arm Cover 1x  
114016



R 3mm Allen Wrench 1x  
701313



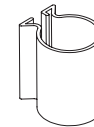
D M5 x 10mm Screws 2x  
713966



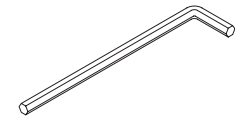
I Dog Washer 2x  
111230-603



N Cable Clip 2x  
113679



S 7/32" Allen Wrench 1x  
701127



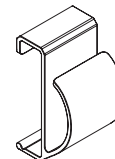
E 10-32 x 3/8" PhPHS (4-pack) 2x  
702281



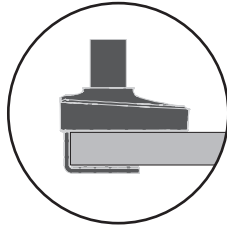
J 10-32 x 1/2" FHSCS 2x  
711240



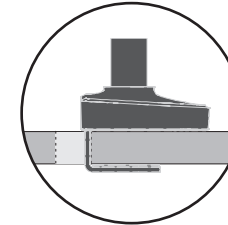
O Cable Clip for Horizontal Beam 2x  
112082



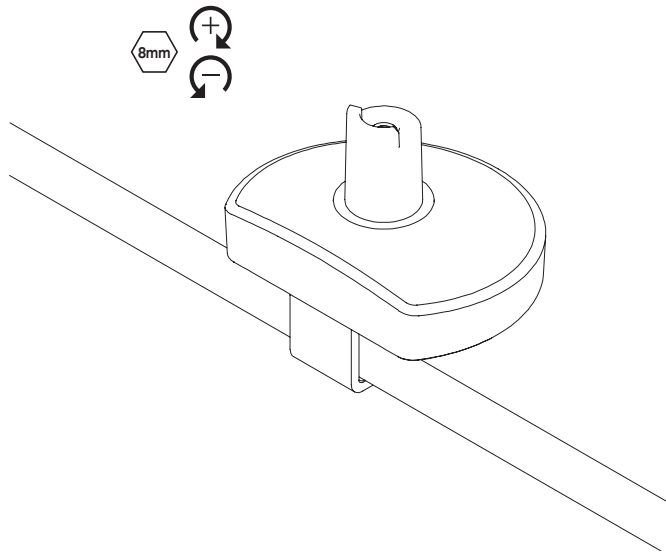
1



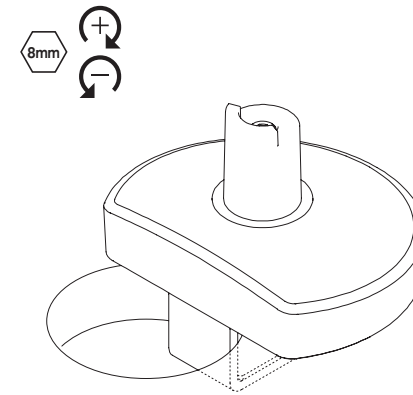
Desk thickness  
up to 1.7" (4.3 cm)



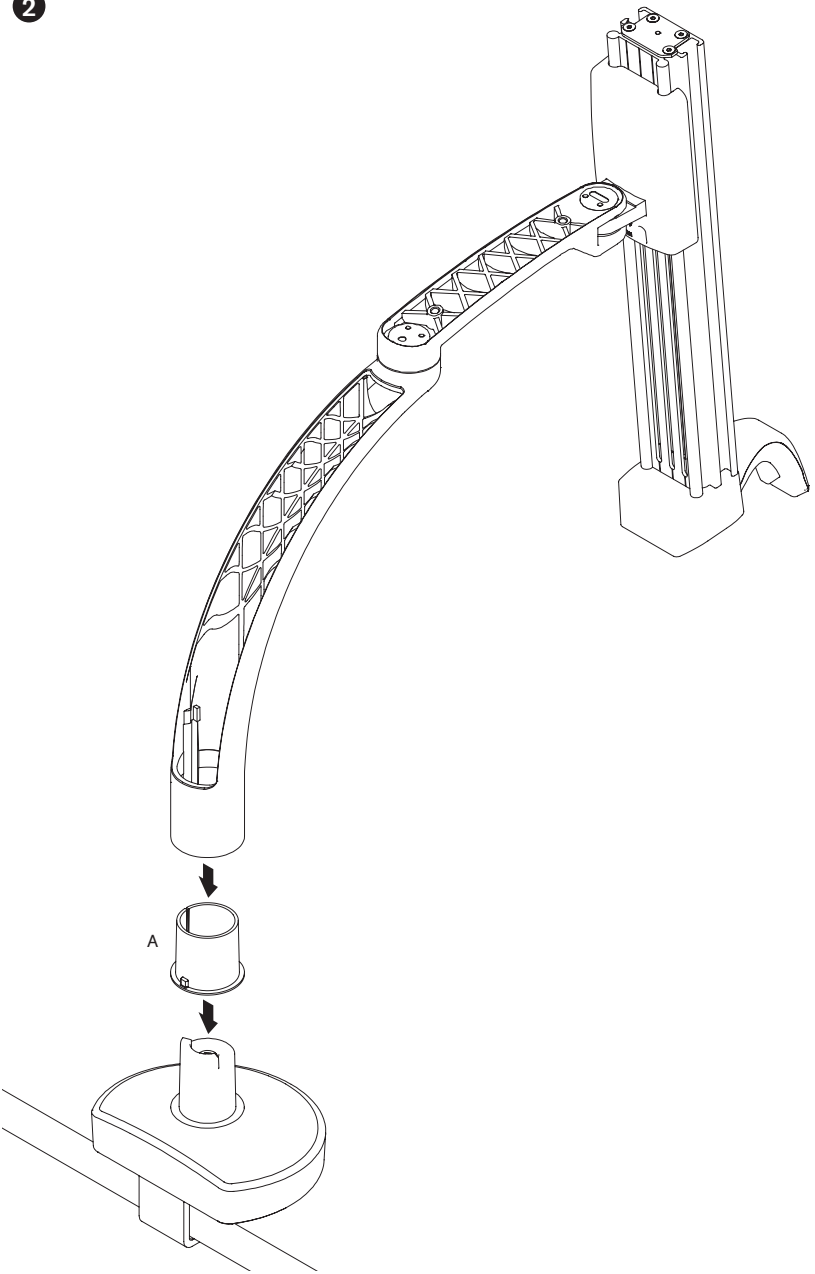
Desk thickness  
up to 1.7" (4.3 cm)



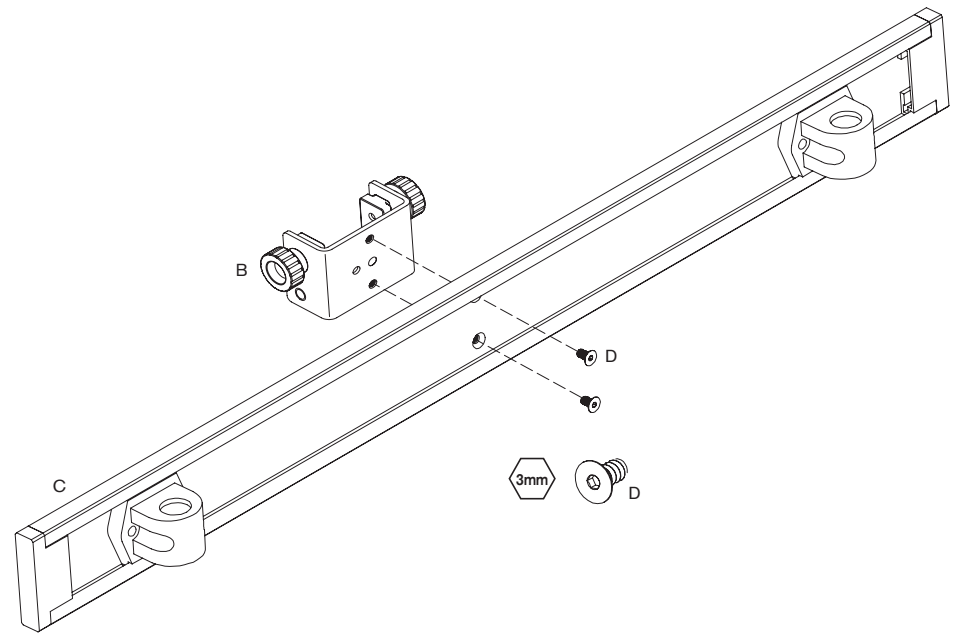
OR



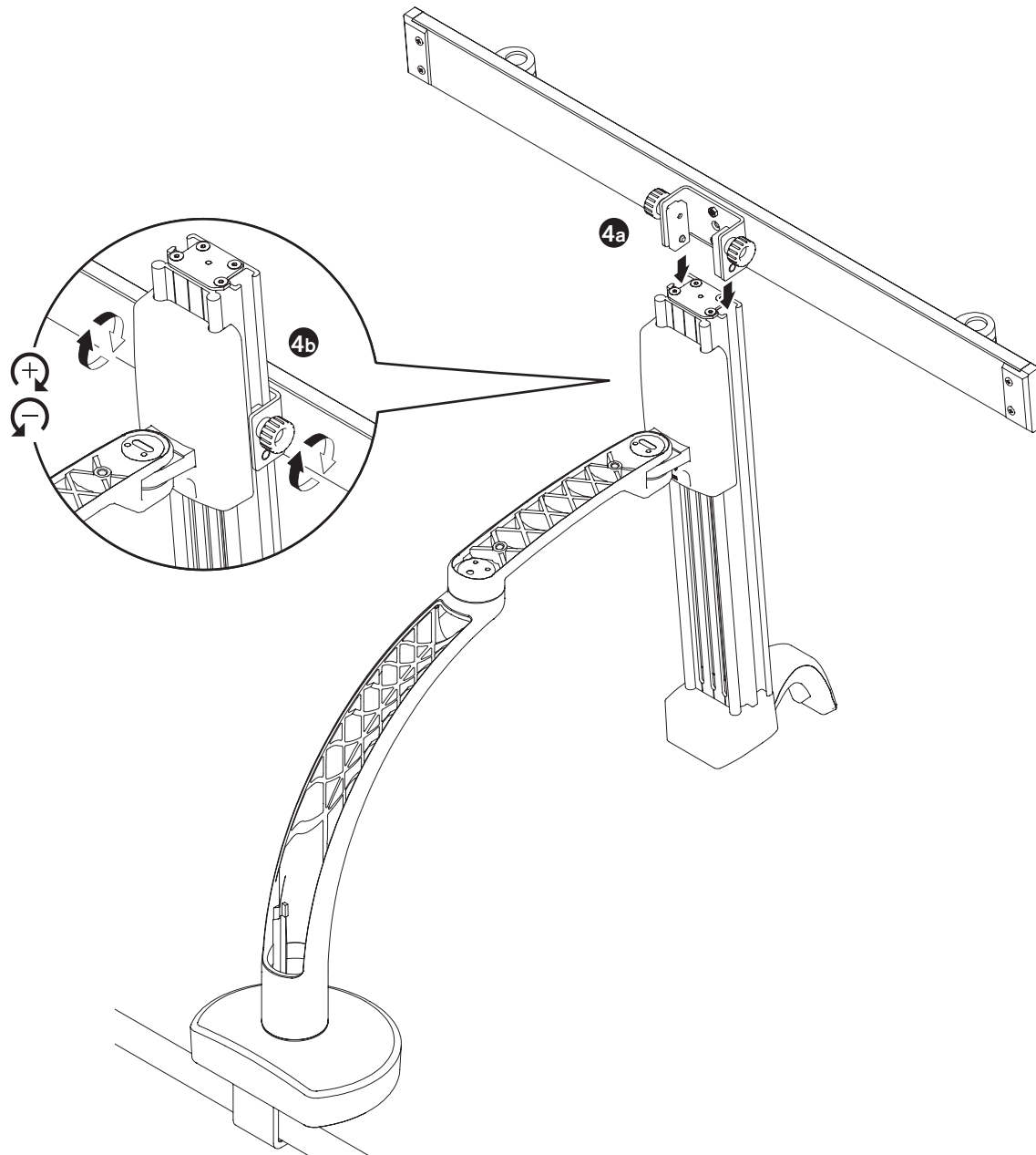
2



3

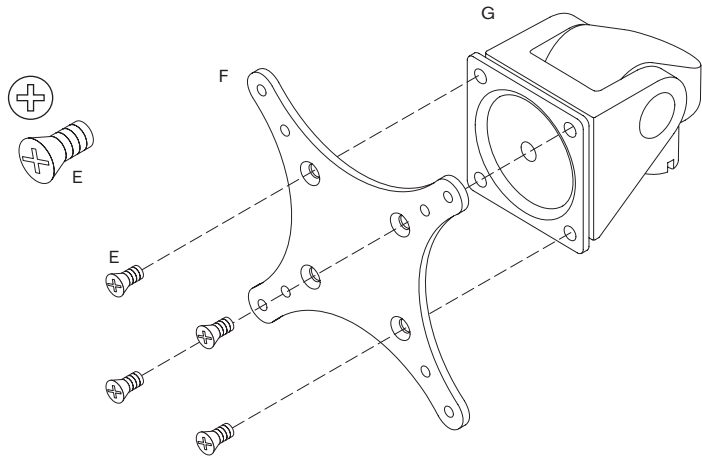


4



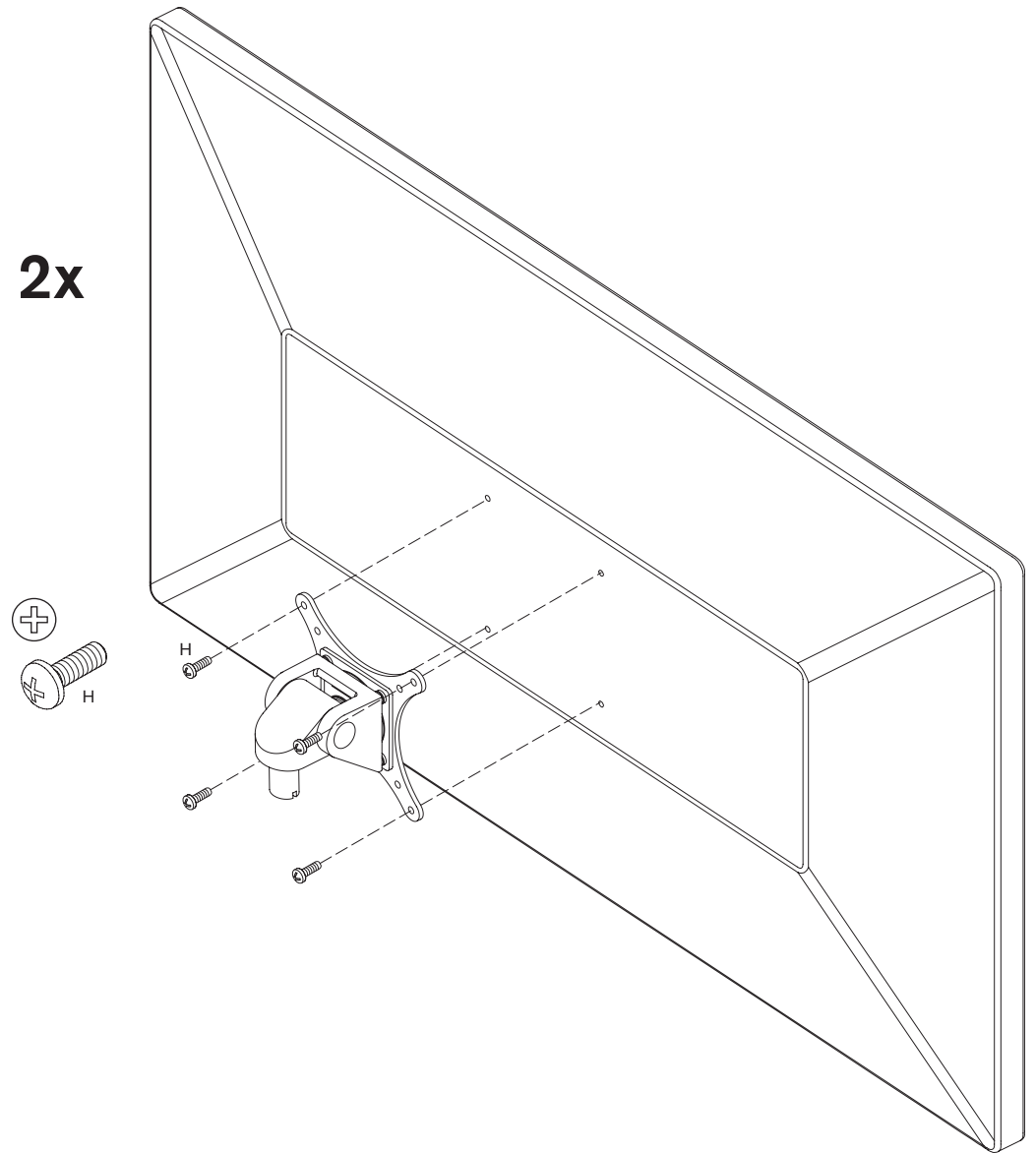
5

2x

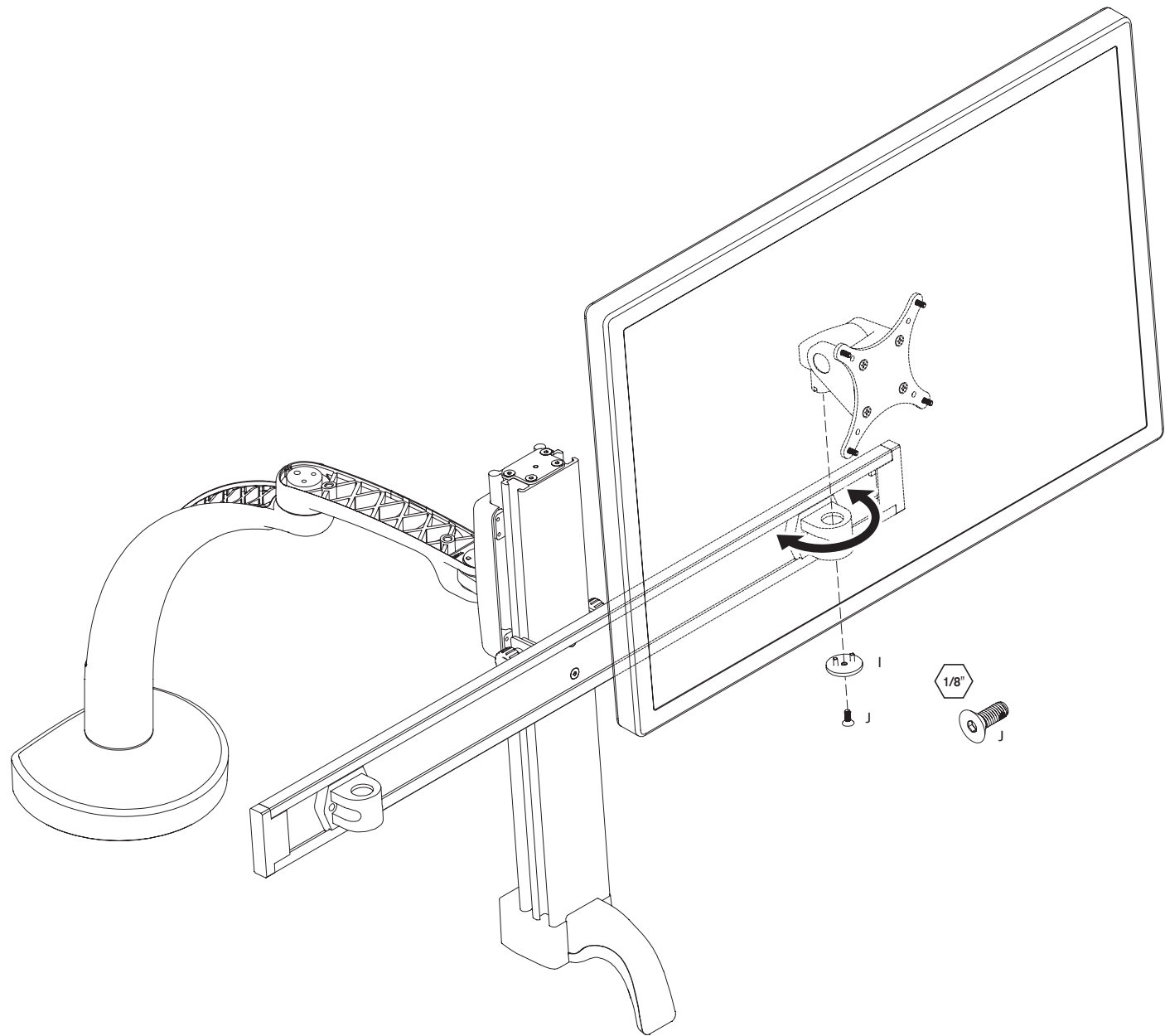


6

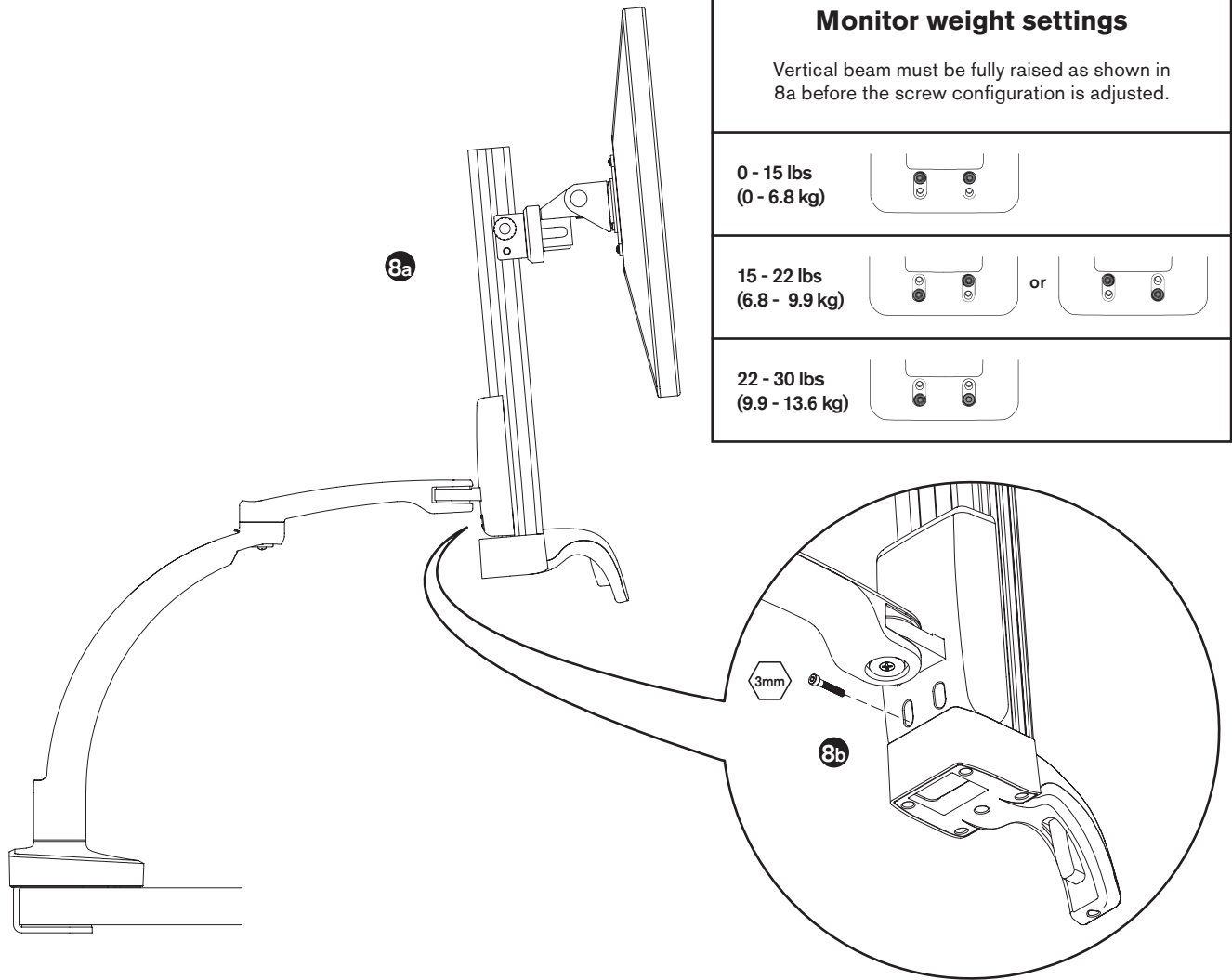
2x



7



2x



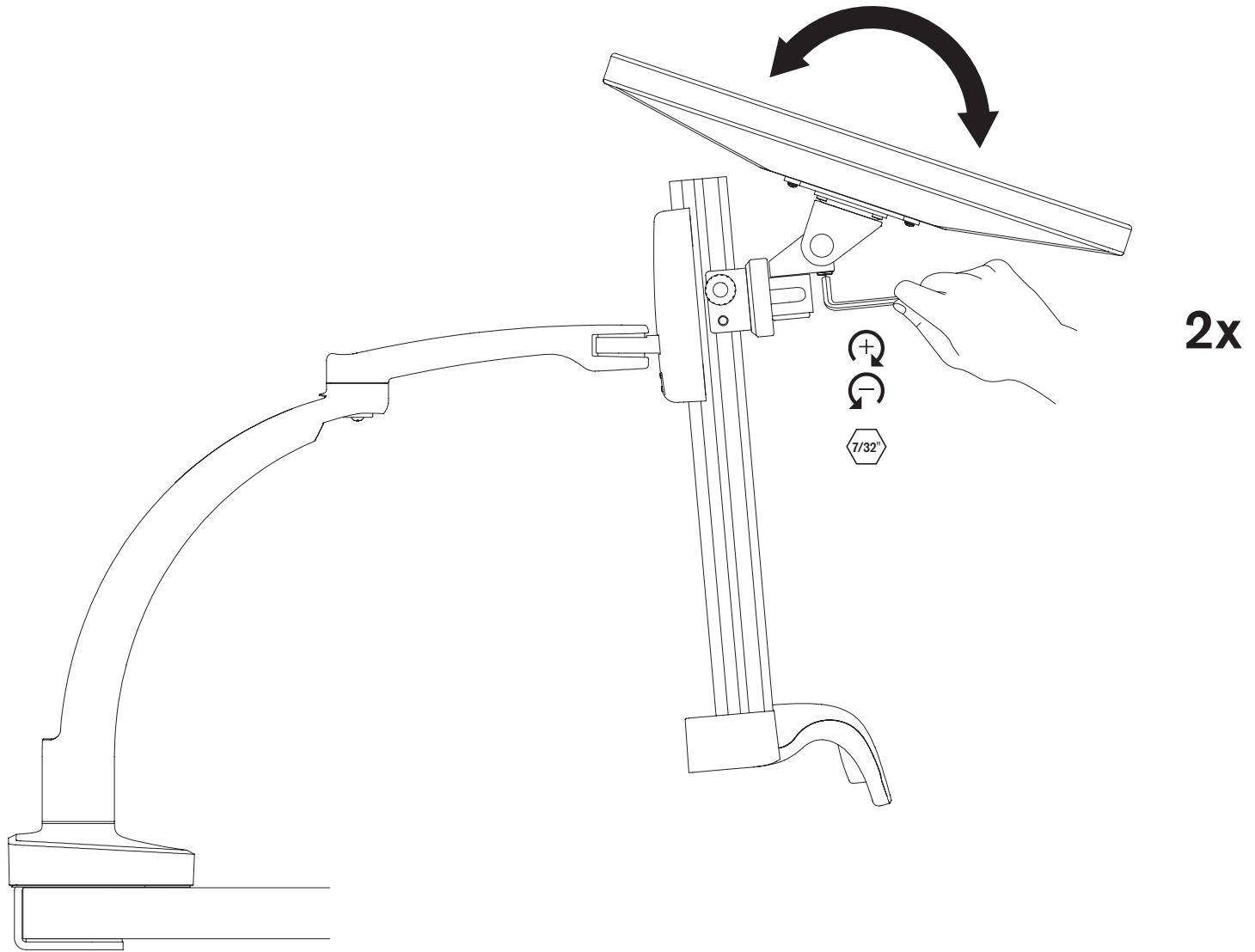
**i** **Height Adjust**

Press button and hold.

Lift up/down.

Release to lock in place.





10

