



# DUAL MONITOR MOUNTS KTG220 □ HORIZONTAL GROMMET ARRAYS



## FEATURES

- 1 CENTRIS® TECHNOLOGY**  
PATENTED FEATURE  
Provides smooth fingertip tilt in all directions using the screen's center of gravity. Screen angle stays set until you decide to readjust.
- 2 ADVANCED DISPLAY MOUNTING**  
Teardrop hole pattern makes mounting the screen quick and easy.
- 3 INDEPENDENT ADJUSTMENT**  
Adjust each screen independently for ergonomic alignment.
- 4 CABLE MANAGEMENT**  
Conceal and protect cables using snap-on covers and cable clip.
- 5 STABLE GROMMET BOLT THROUGH**  
Heavy-duty, solid steel bolting plates and oversized pole for unmatched stability.

## WHAT YOU NEED TO KNOW

### OTHER PRODUCT OPTIONS



**KTG225**  
Widescreen Dual  
Grommet Mount



**KTG230**  
Dual Vertical  
Grommet Mount



**KTG320 / KTG325**  
Triple Horizontal  
Grommet Mount  
(standard/widescreen)



**KTG440 / KTG445**  
Quad Monitor  
Grommet Mount  
(standard/widescreen)



**KTG330**  
Six Monitor Grommet Mount

## SPECIFICATIONS

Pole Height	14" (356 mm)
Max. Width Per Monitor	22.7" (577 mm)
Max. Height Per Monitor	26" (660 mm)
Tilt	±15°
Weight Capacity Per Monitor*	35 lbs (15.9 kg)
Grommet size	0.38 - 3" (10 - 76 mm)
Colors	Black, Silver

\*Weight capacity given for KTG220. See [chiefmfg.com](http://chiefmfg.com) for more information on other product options.

## RECOMMENDED ACCESSORIES



**KSA1024** ■ Centris Quick-Connect  
Interface

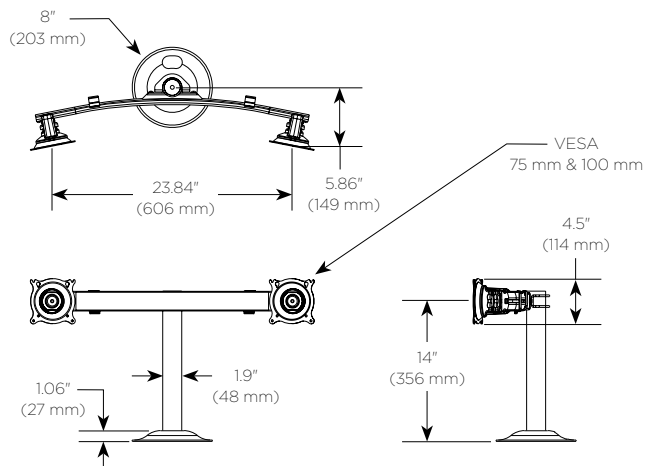


**KTA1001** ■ Array Connector



**KTA1028** ■ 28" (711 mm) Extension  
Column

## TECHNICAL DRAWINGS



For a complete list of monitor mount accessories see page 121.