

# Goldtouch®

# easy lift™

FITNESS DESK



©2019 Goldtouch



01

Goldtouch

easy**lift**<sup>™</sup>  
FITNESS DESK

The Goldtouch EasyLift Desk is the breakthrough second-generation desktop sit/stand solution that offers the best-in-class solution for enterprise customers and end users alike.



RSIs like carpal tunnel syndrome cost businesses \$80 billion each year in workers' compensation claims and lost productivity. Goldtouch products significantly decrease RSI rates and increase productivity, efficiency and creativity. They ensure that your employees can concentrate on being the most innovative, engaged, and productive workers around — and that can only be good for your bottom line.



**E0**  
Low Emission



# 02

## EASY LIFTING SYSTEM

With the integrated Goldtouch desktop ergonomic solution for all electronic and traditional media, users can maintain their ideal work posture throughout the day. The variable lift system makes it easy for anyone to adjust the height without risk of hurting their lower back. The sliding keyboard tray allows the user to keep their hands close to their waist to maintain the ideal ergonomic distance of an arm's length from their computer screen and to avoid lower back pain.



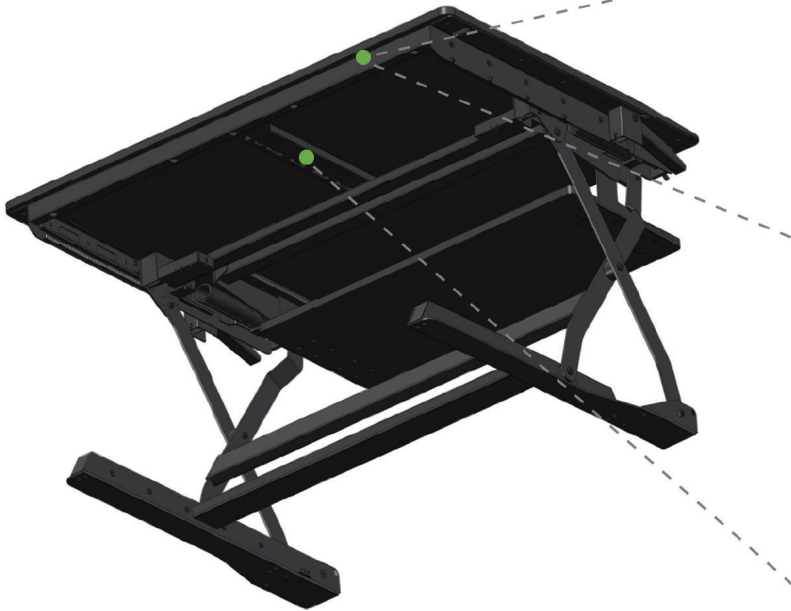
*Greater variable lift weight: 0-27 LBS*



**1.5 h  
Stand up**

## SOLID CROSSBEAM

Incredibly tough — strong enough to handle any monitor arm.



*Cable Management System*

# 03

## KEYBOARD TRAY

The EasyLift keyboard tray lowers, raises, and tilts unlike any other desktop sit/stand desk on the market — allowing over 5.75 inches of height adjustment and 15° of tilt to help you achieve the perfect ergonomic position.



*Available with or without wrist rest shown above. Also works great with the Goldtouch thin wrist rest (see page 11). Generous 26.75" x 11" area offers plenty of room for keyboard and mouse.*



*Keyboard tray features 5.75 inches of height adjustment and 15 degrees of tilt.*

## MONITOR ARMS

The EasyLift Monitor Arm is a great companion for the Goldtouch EasyLift Desktop Sit/Stand Desk. It enhances the viewing display of computer monitors, laptops, or tablet devices by bringing them up to an appropriate viewing distance and height.



*Single or Dual Monitor Arms available.  
Three-monitor configuration is available by using three single monitor arms.*



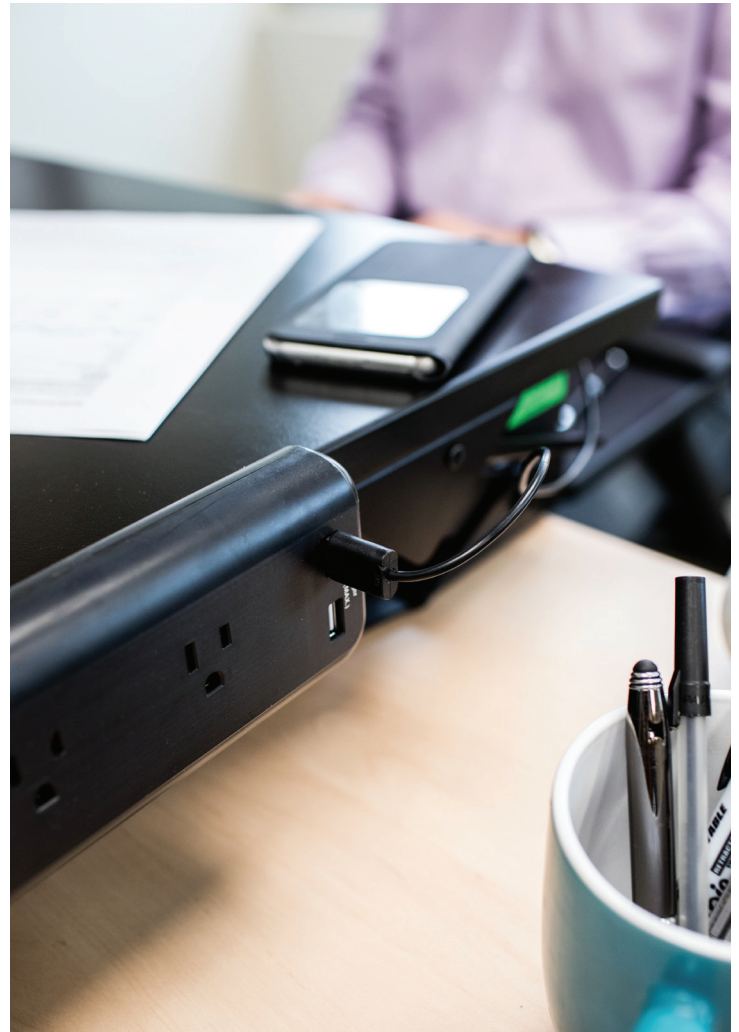


# 04

## POWER AND CABLE MANAGEMENT

Tripp Lite's Clamp-Mount Surge Protector offers economical AC surge suppression for protection of workstations desktop PC's, telecom systems and other sensitive electronics. Offers 6 total outlets & 2 USB charging ports.

*Tripp Lite Power Surge  
Part No.: TLP606DMUSB*



*USB charging ports offer fast charging for smartphones, tablets, MP3 players and other portable devices.*

## **BUILT BY GOLDTOUCH, BUILT TO LAST.**

Headquartered in Cedar Park, Texas, Goldtouch manufactures ergonomic comfort peripherals, including the world's only self-contained adjustable keyboard. Goldtouch products are utilized by many of the Fortune 1000 companies, including: Chevron, Google, Apple, Yahoo, eBay, PayPal and many others.

The Goldtouch EasyLift Desk is backed by a three (3) year industry-leading product warranty. Its re-enforced non-warping frame offers industry-leading weight loads to withstand years of regular use.



# 05



## EASYLIFT DESK ACCESSORIES

Goldtouch manufactures ergonomic products for every corner of the desktop to help computer users stay healthy and comfortable so they can reach their maximum potential.

### SlimLine Wrist Rest

Made from durable gel, and featuring a stain-resistant Lycra cover, this wrist rest provides a safe cushion for typists.

Part #: GT8-0017



### V2 Adjustable Keyboard

Goldtouch ergonomic split keyboards pull apart in the middle and adjust from 0-30° on both the horizontal and vertical planes to help align and straighten the wrists, arms, and shoulders.

Part #: GTU-0088, GTN-0099

### Semi-Vertical Mouse

This mouse was created with an optimal slope of 66° for the user who wants a mouse that is midway between a traditional ergonomic mouse and vertical mouse.

Part #: KOV-GSV-RMW, KOV-GSV-LMW, KOV-GSV-RM





### Go!2® Mobile Keyboard

Sleek, slim, and lightweight, the Go!2 Keyboard is the perfect work and travel companion for the on-the-go worker.

Part #: GTP-0044W, GTP-0044

### Comfort Mouse

Designed to mirror your hand in a weightless environment, the Comfort Mouse supports your arm's natural position and alleviates pressure on tendons and joints.

Part #: GTM-R, GTM-L, GTM-B



### Mouse Pad

Slim design allows for friction-less mousing experience compatible with the EasyLift Desk.

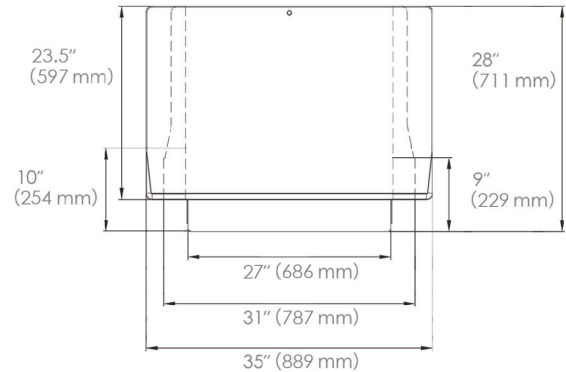
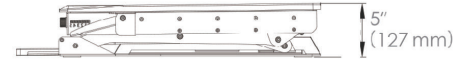
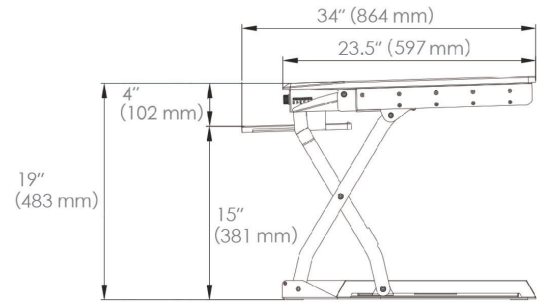
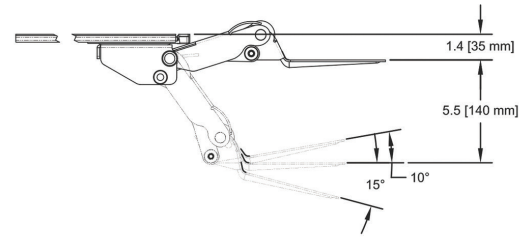
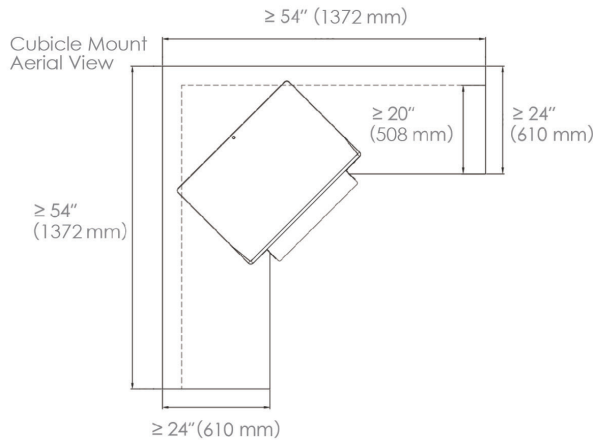
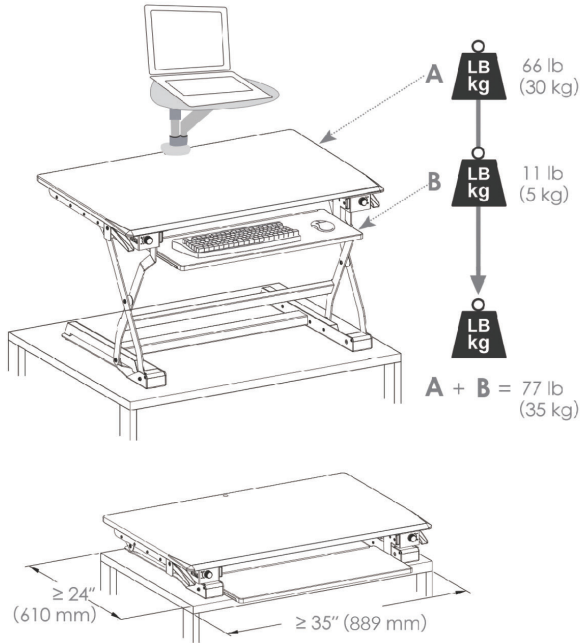
Part #: GT5-0017

Available online at select resellers and

[goldtouch.com](http://goldtouch.com)

# 06

## DIMENSIONS



## EasyLift Desk Comparison Chart

Goldtouch  
EasyLift Desk



VariDesk  
ProPlus 36"



Jarvis Cooper  
Standing Desk  
Converter



Ergotron  
Workfit-T



FlexiSpot Desktop  
Workstation 35"



	Goldtouch EasyLift Desk	VariDesk ProPlus 36"	Jarvis Cooper Standing Desk Converter	Ergotron Workfit-T	FlexiSpot Desktop Workstation 35"
<b>MSRP</b>	\$575	\$395	\$290	\$419.49	\$299.99
<b>Number of Adjustment Heights</b>	40	11	0-16"	0-15"	12
<b>Height Adjustable Monitor Arms</b>	✓	✗	✗	✓	✗
<b>Spring Lift Assist</b>	✓	✓	✗	✓	✓
<b>Tension controller</b>	✓	✗	✓	✓	✗
<b>Height Adjustable Keyboard Tray</b>	✓	✗	✗	✗	✗
<b>Can handle three monitors</b>	✓	✗	✗	✗	✗
<b>15 Degree Tilting Keyboard Tray</b>	✓	✗	✗	✗	✗
<b>Weight capacity</b>	77 lbs (35 kg)	35 lbs (15.87 kg)	35 lbs (15.87 kg)	33 lbs (14.96 kg)	35 lbs (15.87 kg)
<b>Vertical Max Height of 52cm</b>	19.6" (49.78 cm)	14" (35.5 cm)	22" (55.88 cm)	18" (45.72 cm)	19.7" (50.03 cm)
<b>Vertical Minimum Height of 12 cm</b>	4.7" (11.93 cm)	4.5" (11.43 cm)	6.25" (15.87 cm)	5" (12.7 cm)	5.9" (14.98 cm)
<b>Non-Warping Construction</b>	✓	✗	No / bamboo top Yes / MDF top	✗	✗
<b>Cable Management</b>	✓	✗	✗	✗	✗
<b>Warranty</b>	3 years	1 year	2 years	5 years	3 years for the frame, medium-fiber desktop and mechanisms



Goldtouch

[goldtouch.com](http://goldtouch.com)